

REVISIONS													
LTR	DESCRIPTION	DATE (YR-MO-DA)	APPROVED										

REV													
SHEET													
REV													
SHEET													
REV STATUS OF SHEETS	REV SHEET												
		1	2	3	4	5	6	7	8	9	10	11	12

PMIC N/A	PREPARED BY <i>Marcia L. Pelling</i>	DEFENSE ELECTRONICS SUPPLY CENTER DAYTON, OHIO 45444	
STANDARDIZED MILITARY DRAWING THIS DRAWING IS AVAILABLE FOR USE BY ALL DEPARTMENTS AND AGENCIES OF THE DEPARTMENT OF DEFENSE	CHECKED BY <i>Ray Monnin</i>	MICROCIRCUIT, DIGITAL, FAST CMOS, OCTAL, BIDIRECTIONAL TRANSCEIVERS, MONOLITHIC SILICON	
	APPROVED BY 		
	DRAWING APPROVAL DATE 31 MAY 1989	SIZE A	CAGE CODE 67268
AMSC N/A	REVISION LEVEL	SHEET 1 OF 12	

DESC FORM 193
SEP 87

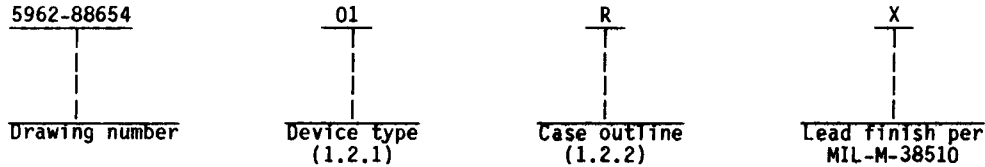
* U.S. GOVERNMENT PRINTING OFFICE: 1987 - 748-129/60911
5962-E1178

DISTRIBUTION STATEMENT A. Approved for public release; distribution is unlimited.

1. SCOPE

1.1 Scope. This drawing describes device requirements for class B microcircuits in accordance with 1.2.1 of MIL-STD-883, "Provisions for the use of MIL-STD-883 in conjunction with compliant non-JAN devices".

1.2 Part number. The complete part number shall be as shown in the following example:



1.2.1 Device types. The device types shall identify the circuit function as follows:

Device type	Generic number	Circuit function
01	54FCT640	Inverting, octal, bidirectional transceiver, TTL compatible
02	54FCT640A	Inverting, octal, bidirectional transceiver, TTL compatible

1.2.2 Case outlines. The case outlines shall be as designated in appendix C of MIL-M-38510, and as follows:

Outline letter	Case outline
R	D-8 (20-lead, 1.060" x .310" x .200"), dual-in-line package
S	F-9 (20-lead, .540" x .300" x .100"), flat package
2	C-2 (20-terminal, .358" x .358" x .100"), square chip carrier package

1.3 Absolute maximum ratings. 1/

Supply voltage range:	
All inputs	-0.5 V dc to +7.0 V dc
I/O ports	-0.5 V dc to +V _{CC}
Input voltage range	-0.5 V dc to V _{CC} + 0.5 V dc
Output voltage range	-0.5 V dc to V _{CC} + 0.5 V dc
DC input diode current (I _{IK})	-20 mA
DC output diode current (I _{OK})	-50 mA
DC output current	+100 mA
Maximum power dissipation (P _D) 2/	+500 mW
Thermal resistance, junction-to-case (θ _{JC})	See MIL-M-38510, appendix C
Storage temperature range	-65°C to +150°C
Junction temperature (T _J)	+175°C
Lead temperature (soldering, 10 seconds)	+300°C

1.4 Recommended operating conditions.

Supply voltage range (V _{CC})	+4.5 V dc to +5.5 V dc
Maximum low level input voltage (V _{IL})	+0.8 V dc
Minimum high level input voltage (V _{IH})	+2.0 V dc
Case operating temperature (T _C)	-55°C to +125°C

1/ All voltages referenced to GND.

2/ Must withstand the added P_D due to short circuit test; e.g., I_{OS}.

STANDARDIZED MILITARY DRAWING DEFENSE ELECTRONICS SUPPLY CENTER DAYTON, OHIO 45444	SIZE A	5962-88654
	REVISION LEVEL	SHEET 2

2. APPLICABLE DOCUMENTS

2.1 Government specification and standard. Unless otherwise specified, the following specification and standard, of the issue listed in that issue of the Department of Defense Index of Specifications and Standards specified in the solicitation, form a part of this drawing to the extent specified herein.

SPECIFICATION

MILITARY

MIL-M-38510 - Microcircuits, General Specification for.

STANDARD

MILITARY

MIL-STD-883 - Test Methods and Procedures for Microelectronics.

(Copies of the specification and standard required by manufacturers in connection with specific acquisition functions should be obtained from the contracting activity or as directed by the contracting activity.)

2.2 Order of precedence. In the event of a conflict between the text of this drawing and the references cited herein, the text of this drawing shall take precedence.

3. REQUIREMENTS

3.1 Item requirements. The individual item requirements shall be in accordance with 1.2.1 of MIL-STD-883, "Provisions for the use of MIL-STD-883 in conjunction with compliant non-JAN devices" and as specified herein.

3.2 Design, construction, and physical dimensions. The design, construction, and physical dimensions shall be as specified in MIL-M-38510 and herein.

3.2.1 Terminal connections. The terminal connections shall be as specified on figure 1.

3.2.2 Truth table. The truth table shall be as specified on figure 2.

3.2.3 Test circuit and switching waveforms. The test circuit and switching waveforms shall be as specified on figure 3.

3.2.4 Case outlines. The case outlines shall be in accordance with 1.2.2 herein.

3.3 Electrical performance characteristics. Unless otherwise specified, the electrical performance characteristics are as specified in table I and apply over the full case operating temperature range.

3.4 Marking. Marking shall be in accordance with MIL-STD-883 (see 3.1 herein). The part shall marked with the part number listed in 1.2 herein. In addition, the manufacturer's part number may also be marked as listed in 6.4 herein

3.5 Certificate of compliance. A certificate of compliance shall be required from a manufacturer in order to be listed as an approved source of supply in 6.4. The certificate of compliance submitted to DESC-ECS prior to listing as an approved source of supply shall state that the manufacturer's product meets the requirements of MIL-STD-883 (see 3.1 herein) and the requirements herein.

3.6 Certificate of conformance. A certificate of conformance as required in MIL-STD-883 (see 3.1 herein) shall be provided with each lot of microcircuits delivered to this drawing.

STANDARDIZED MILITARY DRAWING DEFENSE ELECTRONICS SUPPLY CENTER DAYTON, OHIO 45444	SIZE A	5962-88654
	REVISION LEVEL	SHEET 3

DESC FORM 193A
SEP 87

* U. S. GOVERNMENT PRINTING OFFICE: 1988-549-904

TABLE I. Electrical performance characteristics.

Test	Symbol	Conditions -55°C ≤ T _C ≤ +125°C V _{CC} = 5.0 V dc ±10% unless otherwise specified	Group A subgroups	Device type	Limits		Unit
					Min	Max	
High level output voltage	V _{OH}	V _{CC} = 4.5 V, V _{IL} = 0.8 V, V _{IH} = 2.0 V	I _O = -300 μA	1, 2, 3	A11	4.3	V
			I _O = -12 mA	1, 2, 3	A11	2.4	V
Low level output voltage	V _{OL}	V _{CC} = 4.5 V, V _{IL} = 0.8 V, V _{IH} = 2.0 V	I _O = 300 μA	1, 2, 3	A11		0.2 V
			I _O = 32 mA	1, 2, 3	A11		0.55 V
Input clamp voltage	V _{IK}	V _{CC} = 4.5 V, I _{IN} = -18 mA	1, 2, 3	A11		-1.2	V
High level input current	I _{IH}	V _{CC} = 5.5 V, V _{IN} = 5.5 V	Except I/O pins	1, 2, 3	A11		5.0 μA
			I/O pins only	1, 2, 3	A11		15 μA
Low level input current	I _{IL}	V _{CC} = 5.5 V, V _{IN} = GND	Except I/O pins	1, 2, 3	A11		-5.0 μA
			I/O pins only	1, 2, 3	A11		-15 μA
Short circuit output current	I _{OS}	V _{CC} = 5.5 V, V _{OUT} = GND <u>1/</u>	1, 2, 3	A11	-60		mA
Quiescent power supply current (CMOS inputs)	I _{CCQ}	V _{IN} ≤ 0.2 V or V _{IN} > 5.3 V, V _{CC} = 5.5 V, f _I = 0.0 MHz	1, 2, 3	A11		1.5	mA
Quiescent power supply current (TTL inputs)	ΔI _{CC}	V _{CC} = 5.5 V, V _{IN} = 3.4 V <u>2/</u>	1, 2, 3	A11		2.0	mA

See footnotes at end of table.

STANDARDIZED MILITARY DRAWING DEFENSE ELECTRONICS SUPPLY CENTER DAYTON, OHIO 45444	SIZE A		5962-88654
		REVISION LEVEL	SHEET 4

TABLE I. Electrical performance characteristics - Continued.

Test	Symbol	Conditions -55°C ≤ T _C ≤ +125°C V _{CC} = 5.0 V dc ±10% unless otherwise specified	Group A subgroups	Device type	Limits		Unit
					Min	Max	
Dynamic power supply current	I _{CCD}	V _{CC} = 5.5 V, \overline{OE} = GND, V _{IN} > 5.3 V or V _{IN} < 0.2 V, Outputs open, T/R = GND or V _{CC} One bit toggling - 50% duty cycle	3/	A11		0.25	mA/ MHz
Total power supply current <u>4/</u>	I _{CC}	V _{IN} ≥ 5.3 V or V _{IN} < 0.2 V, V _{CC} = 5.5 V, f _I = 10 MHz, Outputs open, T/R = \overline{OE} = GND One bit toggling - 50% duty cycle	1, 2, 3	A11		4.0	mA
		V _{IN} = 3.4 V or V _{IN} = GND, V _{CC} = 5.5 V, f _I = 10 MHz, Outputs open, T/R = \overline{OE} = GND One bit toggling - 50% duty cycle				5.0	mA
Functional tests		See 4.3.1d	7, 8	A11			
Input capacitance	C _{IN}	See 4.3.1c	4	A11		10	pF
Output capacitance	C _{OUT}	See 4.3.1c	4	A11		12	pF
Propagation delay A to B, B to A	t _{PLH} , t _{PHL}	R _L = 500Ω C _L = 50 pF See figure 3 <u>5/</u>	9, 10, 11	01	1.5	8.0	ns
				02	1.5	5.3	
Output enable time, for \overline{OE} or T/R	t _{pZH} , t _{pZL}		9, 10, 11	01	1.5	16	ns
				02	1.5	6.5	
Output disable time, for \overline{OE} or T/R	t _{pHZ} , t _{pLZ}		9, 10, 11	01	1.5	12	ns
				02	1.5	6.0	

See footnotes at top of next page.

STANDARDIZED MILITARY DRAWING DEFENSE ELECTRONICS SUPPLY CENTER DAYTON, OHIO 45444	SIZE A		5962-88654
		REVISION LEVEL	SHEET 5

DESC FORM 193A
SEP 87

* U. S. GOVERNMENT PRINTING OFFICE: 1988-549-904

- 1/ Not more than one output should be shorted at one time, and the duration of the short circuit condition should not exceed 1 second.
- 2/ TTL driven inputs at $V_{IN} = 3.4$ V; all other inputs at V_{CC} or GND.
- 3/ This parameter is not directly testable, but is derived for use in total power supply calculations.
- 4/ $I_{CC} = I_{CCQ} + (\Delta I_{CC} \times D_H \times N_T) + (I_{CCD} \times f_I \times N_I)$
 Where: D_H = Duty cycle for TTL inputs high
 N_T = Number of TTL inputs at D_H
 f_I = Input frequency in MHz
 N_I = Number of inputs at f_I
- 5/ The minimum limits shall be guaranteed if not tested to the specified limits in table I for ac characteristics.

3.7 Notification of change. Notification of change to DESC-ECS shall be required in accordance with MIL-STD-883 (see 3.1 herein).

3.8 Verification and review. DESC, DESC's agent, and the acquiring activity retain the option to review the manufacturer's facility and applicable required documentation. Offshore documentation shall be made available onshore at the option of the reviewer.

4. QUALITY ASSURANCE PROVISIONS

4.1 Sampling and inspection. Sampling and inspection procedures shall be in accordance with section 4 of MIL-M-38510 to the extent specified in MIL-STD-883 (see 3.1 herein).

4.2 Screening. Screening shall be in accordance with method 5004 of MIL-STD-883, and shall be conducted on all devices prior to quality conformance inspection. The following additional criteria shall apply:

- a. Burn-in test, method 1015 of MIL-STD-883.
 - (1) Test condition A, B, C, or D using the circuit submitted with the certificate of compliance (see 3.5 herein).
 - (2) $T_A = +125^\circ\text{C}$, minimum.
- b. Interim and final electrical test parameters shall be as specified in table II herein, except interim electrical parameter tests prior to burn-in are optional at the discretion of the manufacturer.

4.3 Quality conformance inspection. Quality conformance inspection shall be in accordance with method 5005 of MIL-STD-883 including groups A, B, C, and D inspections. The following additional criteria shall apply.

4.3.1 Group A inspection.

- a. Tests shall be as specified in table II herein.
- b. Subgroups 5 and 6 in table I, method 5005 of MIL-STD-883 shall be omitted.
- c. Subgroup 4 (C_{IN} and C_{OUT} measurements) shall be measured only for the initial test and after process or design changes which may affect capacitance. Test all applicable pins on five devices with zero failures.
- d. Subgroups 7 and 8 tests shall verify the truth table specified on figure 2 herein.

STANDARDIZED MILITARY DRAWING DEFENSE ELECTRONICS SUPPLY CENTER DAYTON, OHIO 45444	SIZE A		5962-88654
		REVISION LEVEL	SHEET 6

DESC FORM 193A
SEP 87

* U. S. GOVERNMENT PRINTING OFFICE: 1988-548-804

Device types	A11
Case outlines	R, S, and 2
Terminal number	Terminal symbol
1	T/R
2	A0
3	A1
4	A2
5	A3
6	A4
7	A5
8	A6
9	A7
10	GND
11	B7
12	B6
13	B5
14	B4
15	B3
16	B2
17	B1
18	B0
19	OE
20	VCC

FIGURE 1. Terminal connections.

STANDARDIZED MILITARY DRAWING DEFENSE ELECTRONICS SUPPLY CENTER DAYTON, OHIO 45444	SIZE A	5962-88654
	REVISION LEVEL	SHEET 7

DESC FORM 193A
SEP 87

☆U.S. GOVERNMENT PRINTING OFFICE: 1987 - 748-129-60913

Device types 01 and 02

Inputs		Operation
OE	T/R	
L	L	Bus B data to bus A
L	H	Bus A data to bus B
H	X	Isolation

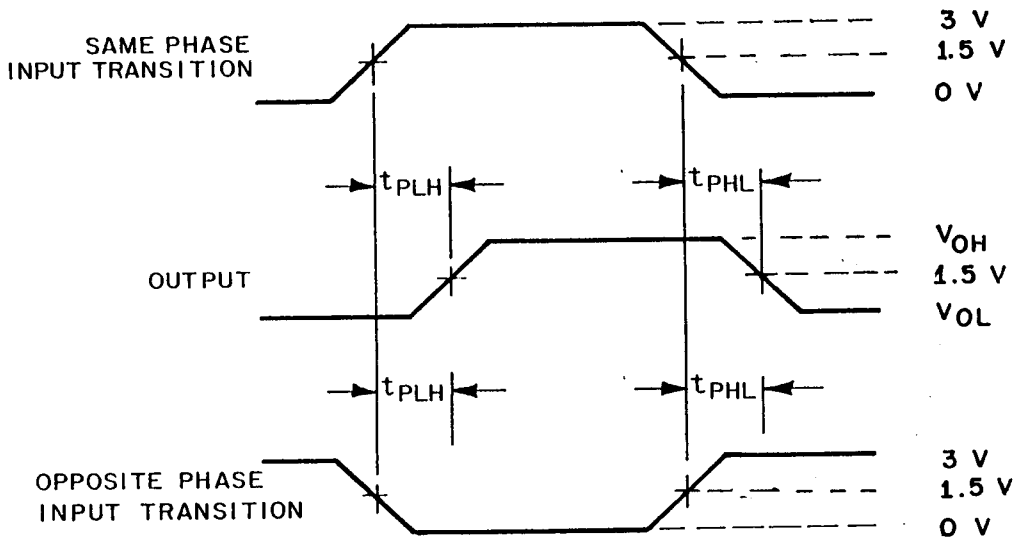
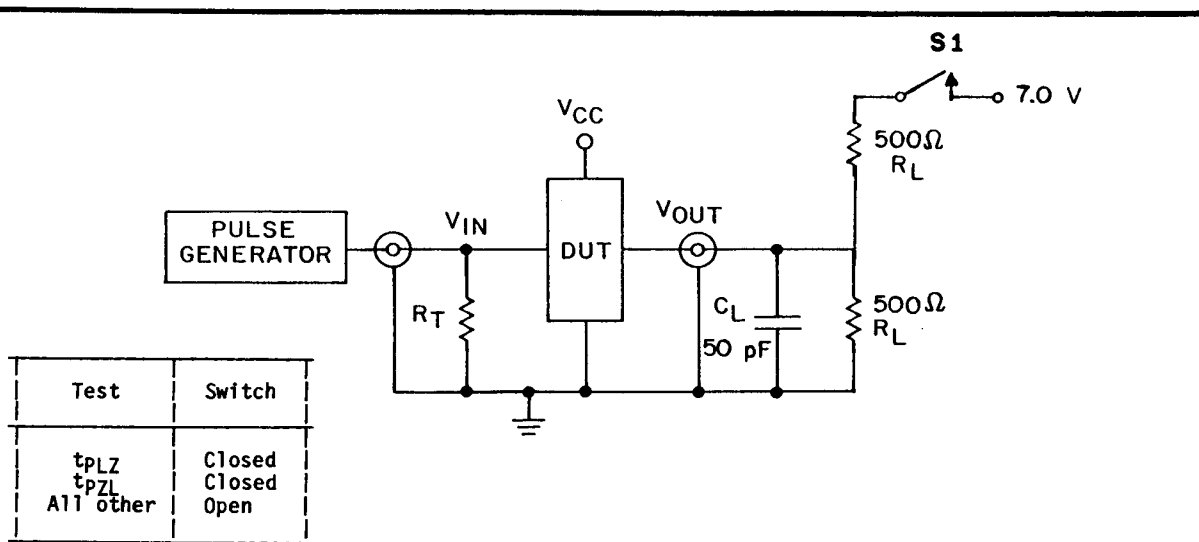
H = High voltage level
L = Low voltage level
X = Irrelevant

FIGURE 2. Truth table.

STANDARDIZED MILITARY DRAWING DEFENSE ELECTRONICS SUPPLY CENTER DAYTON, OHIO 45444	SIZE A		5962-88654
		REVISION LEVEL	SHEET 8

DESC FORM 193A
SEP 87

★ U.S. GOVERNMENT PRINTING OFFICE: 1967 - 706-129-6000



- NOTES:
- C_L includes probe and jig capacitance.
 - R_T = termination resistance and should be equal to Z_{OUT} of the pulse generator.
 - Input characteristics: $t_r = t_f = 2.5$ ns (10% to 90%).

FIGURE 3. Test circuit and switching waveforms.

STANDARDIZED MILITARY DRAWING DEFENSE ELECTRONICS SUPPLY CENTER DAYTON, OHIO 45444	SIZE A		5962-88654
		REVISION LEVEL	SHEET 9

DESC FORM 193A
SEP 87

☆ U.S. GOVERNMENT PRINTING OFFICE: 1987 - 748-129-60913

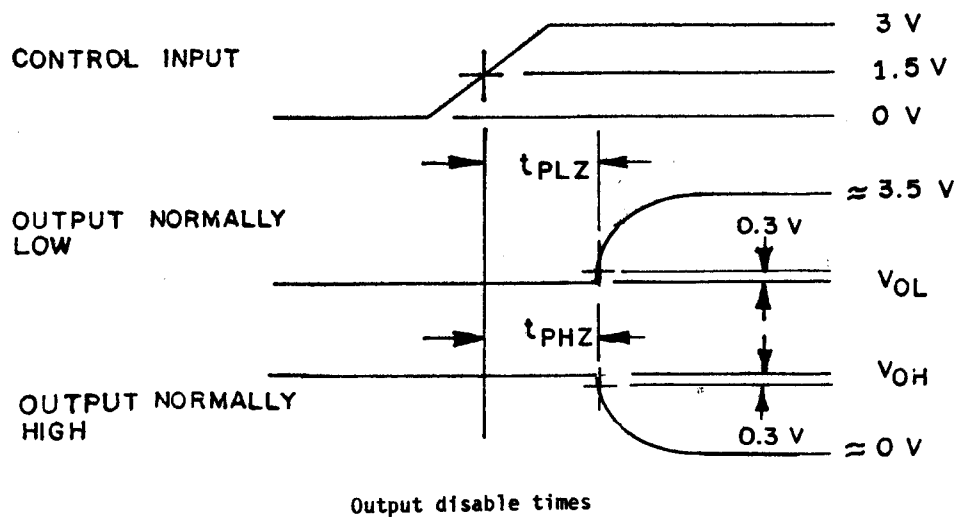
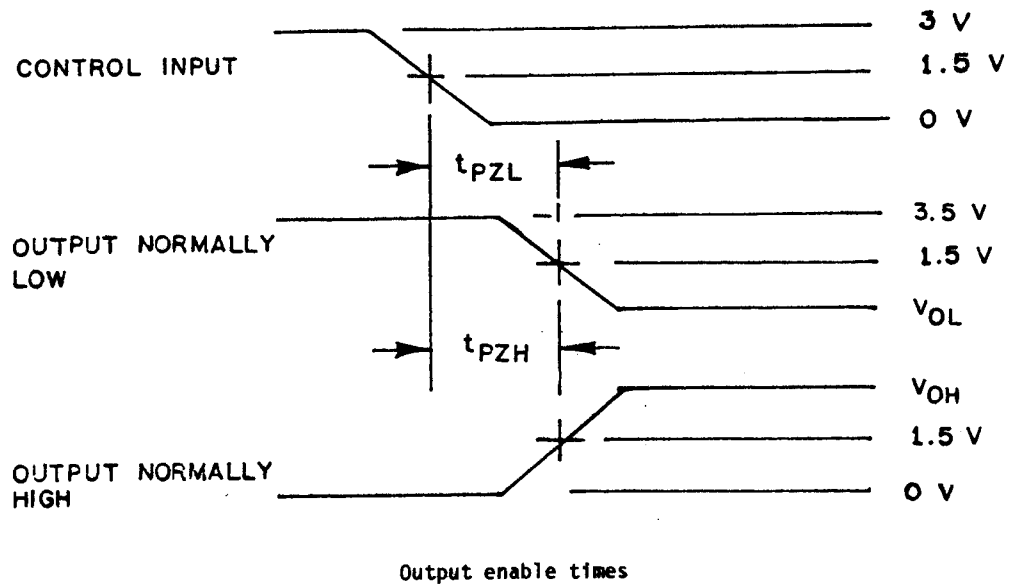


FIGURE 3. Test circuit and switching waveforms - Continued.

STANDARDIZED MILITARY DRAWING DEFENSE ELECTRONICS SUPPLY CENTER DAYTON, OHIO 45444	SIZE A	5962-88654
	REVISION LEVEL	SHEET 10

DESC FORM 193A
SEP 87

☆ U.S. GOVERNMENT PRINTING OFFICE: 1987 - 748-129-6093

TABLE II. Electrical test requirements.

MIL-STD-883 test requirements	Subgroups (per method 5005, table I)
Interim electrical parameters (method 5004)	---
Final electrical test parameters (method 5004)	1*,2,3,7,8, 9,10,11
Group A test requirements (method 5005)	1,2,3,4,7,8, 9,10,11
Groups C and D end-point electrical parameters (method 5005)	1,2,3

* PDA applies to subgroup 1.

4.3.2 Groups C and D inspections.

- a. End-point electrical parameters shall be as specified in table II herein.
- b. Steady-state life test conditions, method 1005 of MIL-STD-883.
 - (1) Test condition A, B, C, or D using the circuit submitted with the certificate of compliance (see 3.5 herein).
 - (2) $T_A = +125^\circ\text{C}$, minimum.
 - (3) Test duration: 1,000 hours, except as permitted by method 1005 of MIL-STD-883.

5. PACKAGING

5.1 Packaging requirements. The requirements for packaging shall be in accordance with MIL-M-38510.

6. NOTES

6.1 Intended use. Microcircuits conforming to this drawing are intended for use when military specifications do not exist and qualified military devices that will perform the required function are not available for OEM application. When a military specification exists and the product covered by this drawing has been qualified for listing on QPL-38510, the device specified herein will be inactivated and will not be used for new design. The QPL-38510 product shall be the preferred item for all applications.

6.2 Replaceability. Microcircuits covered by this drawing will replace the same generic device covered by a contractor-prepared specification or drawing.

6.3 Comments. Comments on this drawing should be directed to DESC-ECS, Dayton, Ohio 45444, or telephone 513-296-5375.

STANDARDIZED MILITARY DRAWING DEFENSE ELECTRONICS SUPPLY CENTER DAYTON, OHIO 45444	SIZE A	5962-88654
		REVISION LEVEL SHEET 11

6.4 Approved sources of supply. Approved sources of supply are listed herein. Additional sources will be added as they become available. The vendors listed herein have agreed to this drawing and a certificate of compliance (see 3.5 herein) has been submitted to DESC-ECS.

Military drawing part number	Vendor CAGE number	Vendor similar part number <u>1/</u>
5962-8865401RX	61772 75569	54FCT640DB P54PCT640DMB
5962-8865401SX	61772	54FCT640EB
5962-88654012X	61772 75569	54FCT640LB P54PCT640LMB
5962-8865402RX	61772 75569	54FCT640ADB P54PCT640ADM
5962-8865402SX	61772	54FCT640AEB
5962-88654022X	61772 75569	54FCT640ALB P54PCT640ALMB

1/ Caution. Do not use this number for item acquisition. Items acquired by this number may not satisfy the performance requirements of this drawing.

Vendor CAGE number

Vendor name and address

61772

Integrated Device Technology
3236 Scott Boulevard
Santa Clara, CA 95052

75569

Performance Semiconductor Corporation
610 E. Weddell Drive
Sunnyvale, CA 94089

STANDARDIZED MILITARY DRAWING DEFENSE ELECTRONICS SUPPLY CENTER DAYTON, OHIO 45444	SIZE A	5962-88654
	REVISION LEVEL	SHEET 12

DESC FORM 193A
SEP 87

* U. S. GOVERNMENT PRINTING OFFICE: 1988-048-004

014586 _ _ _