

PLEASE CHECK WWW.MOLEX.COM FOR LATEST PART INFORMATION

Part Number: [0417920517](#)
Status: **Active**
Overview: [kk](#)
Description: 3.96mm (.156") Pitch KK® Solid Header, Right Angle, with Friction Lock, 8 Circuits, 0.38µm (15µ") Gold (Au) Selective Plating

Documents:

[3D Model](#) [Product Specification PS-08-50 \(PDF\)](#)
[Drawing \(PDF\)](#) [RoHS Certificate of Compliance \(PDF\)](#)
[Packaging Specification \(PDF\)](#)

Agency Certification

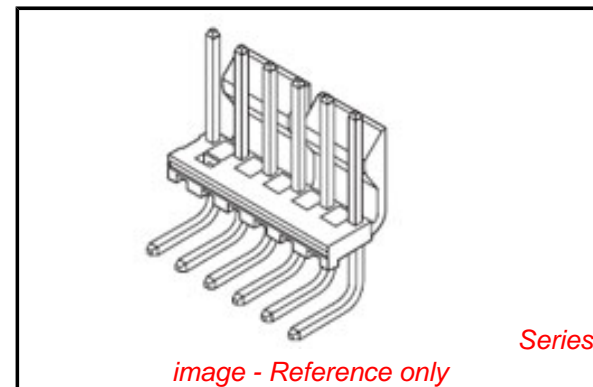
CSA LR19980
 UL E29179

General

Product Family PCB Headers
 Series [41792](#)
 Application Wire-to-Board
 Overview [kk](#)
 Product Name KK®

Physical

Breakaway No
 Circuits (Loaded) 8
 Circuits (maximum) 8
 Color - Resin Natural
 Durability (mating cycles max) 50
 Flammability 94V-0
 Glow-Wire Compliant No
 Lock to Mating Part Yes
 Material - Metal Brass
 Material - Plating Mating Gold
 Material - Plating Termination Tin
 Material - Resin Polyester
 Number of Rows 1
 Orientation Right Angle
 PC Tail Length (in) 0.156 In
 PC Tail Length (mm) 3.96 mm
 PCB Locator No
 PCB Retention None
 PCB Thickness Recommended (in) 0.062 In
 PCB Thickness Recommended (mm) 1.60 mm
 Packaging Type Bag
 Pitch - Mating Interface (in) 0.156 In
 Pitch - Mating Interface (mm) 3.96 mm
 Plating min: Mating (µin) 15
 Plating min: Mating (µm) 0.38
 Plating min: Termination (µin) 100
 Plating min: Termination (µm) 2.5
 Polarized to Mating Part Yes
 Polarized to PCB No
 Shrouded Partial
 Stackable Yes
 Temperature Range - Operating 0°C to +75°C
 Termination Interface: Style Through Hole



EU RoHS

**ELV and RoHS
 Compliant**
**REACH SVHC
 Contains SVHC: No**
**Halogen-Free
 Status
 Not Reviewed**

China RoHS



**Need more information on product
 environmental compliance?**

Email productcompliance@molex.com
 For a multiple part number RoHS Certificate of Compliance, [click here](#)

Please visit the [Contact Us](#) section for any non-product compliance questions.

Search Parts in this Series

[41792Series](#)

Mates With

[3069](#) , [2139](#) , [2145](#) , [6442](#) , [7674](#) , [7675](#) , [41695](#) , L ink:41815

Electrical

| | |
|-------------------------------|------|
| Current - Maximum per Contact | 7A |
| Voltage - Maximum | 250V |

Solder Process Data

| | |
|--|------------------------|
| Duration at Max. Process Temperature (seconds) | 5 |
| Lead-free Process Capability | Wave Capable (TH only) |
| Max. Cycles at Max. Process Temperature | 1 |
| Process Temperature max. C | 235 |

Material Info**Reference - Drawing Numbers**

| | |
|-------------------------|--------------|
| Packaging Specification | PK-41792-002 |
| Product Specification | PS-08-50 |
| Sales Drawing | SDA-41792 |

This document was generated on 05/24/2010

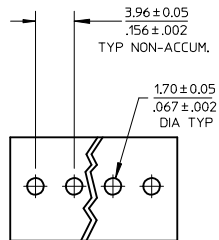
PLEASE CHECK WWW.MOLEX.COM FOR LATEST PART INFORMATION



| CKT | DIM. A | DIM. B | SLOT LOC BETWEEN CKTS |
|-----|---------------|-----------------------------|-----------------------|
| 2 | 7.77 / .306 | 3.96 ± 0.05 / .156 ± .002 | NONE |
| 3 | 11.73 / .462 | 7.92 ± 0.08 / .312 ± .003 | NONE |
| 4 | 15.70 / .618 | 11.89 ± 0.08 / .468 ± .003 | NONE |
| 5 | 19.66 / .774 | 15.85 ± 0.10 / .624 ± .004 | NONE |
| 6 | 23.62 / .930 | 19.81 ± 0.10 / .780 ± .004 | 3 & 4 |
| 7 | 27.58 / 1.086 | 23.77 ± 0.10 / .936 ± .004 | 4 & 5 |
| 8 | 31.55 / 1.242 | 27.74 ± 0.13 / 1.092 ± .005 | 4 & 5 |
| 9 | 35.51 / 1.398 | 31.70 ± 0.13 / 1.248 ± .005 | 5 & 6 |
| 10 | 39.47 / 1.554 | 35.66 ± 0.13 / 1.404 ± .005 | 5 & 6 |
| 11 | 43.43 / 1.710 | 39.62 ± 0.15 / 1.560 ± .006 | 6 & 7 |
| 12 | 47.40 / 1.866 | 43.59 ± 0.15 / 1.716 ± .006 | 4 & 5 8 & 9 |
| 13 | 51.36 / 2.022 | 47.55 ± 0.15 / 1.872 ± .006 | 4 & 5 9 & 10 |
| 14 | 55.32 / 2.178 | 51.51 ± 0.18 / 2.028 ± .007 | 5 & 6 9 & 10 |
| 15 | 59.28 / 2.334 | 55.47 ± 0.18 / 2.184 ± .007 | 5 & 6 10 & 11 |
| 16 | 63.25 / 2.490 | 59.44 ± 0.18 / 2.340 ± .007 | 5 & 6 11 & 12 |
| 17 | 67.21 / 2.646 | 63.40 ± 0.20 / 2.496 ± .008 | 6 & 7 11 & 12 |
| 18 | 71.17 / 2.802 | 67.36 ± 0.20 / 2.652 ± .008 | 6 & 7 12 & 13 |

NOTES:

- MATERIAL: HEADER-GLASS FILLED POLYESTER, 94V-0, MOLDED NATURAL (WHITE).
- FINISH: (102) OVERALL TIN: .00508/.000200 MIN OVER .00254/.000100 MIN COPPER, (154) OVERALL TIN: .00254/.000100 MIN OVER .00127/.000050 MIN NICKEL, *(208) SELECT GOLD: .00038/.000015 MIN, SELECT TIN: .00254/.000100 MIN, OVERALL NICKEL UNDERPLATE: .00127/.000050 MIN, *(228) SELECT GOLD: .00076/.000030 MIN, SELECT TIN: .00254/.000100 MIN, OVERALL NICKEL UNDERPLATE: .00127/.000050 MIN. FOR ADDITIONAL PLATING INFO, SEE SDES-88. *THE PRIMARY SHIPPING CARTON WILL BE LABELED 'COMPLIANT TO RoHS DIRECTIVE 2002/95/EC AND ELV ANNEX II OF DIRECTIVE 2000/53/EC'. CARTONS WITHOUT THIS LABEL MAY CONTAIN PRODUCT WITH TIN-LEAD PLATING.
- PRODUCT SPECIFICATION AND PROCESS PARAMETERS: SEE PS-08-50.
- PACKAGING INFORMATION: SEE CHART
- SOLDERABILITY: PER SMES-152.
- PIN PUSH-OUT FORCE: PRIOR TO SOLDERING, A 3 LB. MINIMUM FORCE (IN EITHER DIRECTION)
- PARTS ARE STACKABLE END TO END ON 3,96/.156 CENTERS.
- THIS PART CONFORMS TO CLASS B REQUIREMENTS OF COSMETIC SPECIFICATION PS-45499-002.
- SLOTS ON BACKWALL ARE BETWEEN CIRCUITS. SEE CHART FOR LOCATION.
- CIRCUIT 1 DESIGNATION IS USED TO DEFINE VOID LOCATION. CIRCUIT 1 MAY OR MAY NOT LINE UP WITH CIRCUIT 1 ON THE MATING HOUSING.



ADD CKT1 ID NOTE 10

EC NO: UCP2009-0749
 DRW:MKIPPER 2008/12/29
 CHKD:SSOUSEK 2008/12/29
 APPR:FSMLTH 2009/01/05

| REV | DESCRIPTION |
|-----|-------------|
| 1 | H7 |
| 2 | H6 |
| 3 | H7 |
| 4 | REV |

| QUALITY SYMBOLS | GENERAL TOLERANCES (UNLESS SPECIFIED) | |
|-----------------|---------------------------------------|--------|
| | mm | INCH |
| ▽=0 | 4 PLACES ± --- | ± --- |
| ▽=0 | 3 PLACES ± --- | ± .010 |
| | 2 PLACES ± 0.25 | ± .015 |
| | 1 PLACE ± 0.38 | ± --- |
| | ANGULAR ± 1/2° | |

DRAFT WHERE APPLICABLE MUST REMAIN WITHIN DIMENSIONS

| DIMENSION STYLE | |
|----------------------|---|
| MM/IN | SCALE |
| DRAWN BY JSCHAFFER | DATE 11-07-03 |
| CHECKED BY | DATE 11-10-03 |
| APPROVED BY MARGULIS | DATE 11-17-03 |
| MATERIAL NO. | DOCUMENT NO. SDA-41792 |
| SIZE B | THIS DRAWING CONTAINS INFORMATION THAT IS PROPRIETARY TO MOLEX INCORPORATED AND SHOULD NOT BE USED WITHOUT WRITTEN PERMISSION |

| SCALE | DESIGN UNITS | THIRD ANGLE PROJECTION |
|---|--------------|------------------------|
| 2:1 | INCH | THIRD ANGLE PROJECTION |
| TITLE: KK .156 HEADER ASSEMBLY FRICTION LOCK RIGHT ANGLE W/O PEGS | | |
| MOLEX MOLEX INCORPORATED | | |
| SHEET NO. 1 OF 1 | | |

| OPTIONS | Group | A-41792-0002/0018 | Group | A-41792-0511/0527 | Group | A-41792-0528/0544 | Group | A-41792-0562/0578 |
|---------|--------------|-------------------|--------------|-------------------|--------------|-------------------|--------------|-------------------|
| | Header No: | 41790-0002/0018 | Header No: | 41790-0002/0018 | Header No: | 41790-0002/0018 | Header No: | 41790-0002/0018 |
| | Pin No: | 2161-37(102) | Pin No: | 43294-0569 | Pin No: | 43294-0570 | Pin No: | 43294-0570 |
| | Plating: | 102 – TIN | Plating: | 208 – 15 GOLD | Plating: | 228 – 30 GOLD | Plating: | 228 – 30 GOLD |
| | Pin Length L | 27.94 / 1.100 | Pin Length L | 27.94 / 1.100 | Pin Length L | 27.94 / 1.100 | Pin Length L | 27.94 / 1.100 |
| | Mating M | 11.43 / .450 | Mating M | 11.43 / .450 | Mating M | 11.43 / .450 | Mating M | 11.43 / .450 |
| | Gold Loc G | N/A | Gold Loc G | 6.86/ .270 | Gold Loc G | 6.86/ .270 | Gold Loc G | 6.86/ .270 |
| | Height Y | 5.41 / .213 | Height Y | 5.41 / .213 | Height Y | 5.41 / .213 | Height Y | 5.41 / .213 |
| | PC Tail P | 3.96/ .156 | PC Tail P | 3.96/ .156 | PC Tail P | 3.96/ .156 | PC Tail P | 3.96/ .156 |
| | Tin Loc T | OVERALL | Tin Loc T | 5.08/ .200 | Tin Loc T | 5.08/ .200 | Tin Loc T | 5.08/ .200 |
| | Voided Ckts | NONE | Voided Ckts | NONE | Voided Ckts | NONE | Voided Ckts | 2 |
| | Pack Per | PK-41792-002 | Pack Per | PK-41792-002 | Pack Per | PK-41792-002 | Pack Per | PK-41792-002 |
| Ckts | Material No | Engineer Number | Material No | Engineer Number | Material No | Engineer Number | Material No | Engineer Number |
| 2 | 26-60-5020 | A-41792-0002 | 41792-0511 | A-41792-0511 | 41792-0528 | A-41792-0528 | 41792-0562 | A-41792-0562 |
| 3 | 26-60-5030 | A-41792-0003 | 41792-0512 | A-41792-0512 | 41792-0529 | A-41792-0529 | 41792-0563 | A-41792-0563 |
| 4 | 26-60-5040 | A-41792-0004 | 41792-0513 | A-41792-0513 | 41792-0530 | A-41792-0530 | 41792-0564 | A-41792-0564 |
| 5 | 26-60-5050 | A-41792-0005 | 41792-0514 | A-41792-0514 | 41792-0531 | A-41792-0531 | 41792-0565 | A-41792-0565 |
| 6 | 26-60-5060 | A-41792-0006 | 41792-0515 | A-41792-0515 | 41792-0532 | A-41792-0532 | 41792-0566 | A-41792-0566 |
| 7 | 26-60-5070 | A-41792-0007 | 41792-0516 | A-41792-0516 | 41792-0533 | A-41792-0533 | 41792-0567 | A-41792-0567 |
| 8 | 26-60-5080 | A-41792-0008 | 41792-0517 | A-41792-0517 | 41792-0534 | A-41792-0534 | 41792-0568 | A-41792-0568 |
| 9 | 26-60-5090 | A-41792-0009 | 41792-0518 | A-41792-0518 | 41792-0535 | A-41792-0535 | 41792-0569 | A-41792-0569 |
| 10 | 26-60-5100 | A-41792-0010 | 41792-0519 | A-41792-0519 | 41792-0536 | A-41792-0536 | 41792-0570 | A-41792-0570 |
| 11 | 26-60-5110 | A-41792-0011 | 41792-0520 | A-41792-0520 | 41792-0537 | A-41792-0537 | 41792-0571 | A-41792-0571 |
| 12 | 26-60-5120 | A-41792-0012 | 41792-0521 | A-41792-0521 | 41792-0538 | A-41792-0538 | 41792-0572 | A-41792-0572 |
| 13 | 26-60-5130 | A-41792-0013 | 41792-0522 | A-41792-0522 | 41792-0539 | A-41792-0539 | 41792-0573 | A-41792-0573 |
| 14 | 26-60-5140 | A-41792-0014 | 41792-0523 | A-41792-0523 | 41792-0540 | A-41792-0540 | 41792-0574 | A-41792-0574 |
| 15 | 26-60-5150 | A-41792-0015 | 41792-0524 | A-41792-0524 | 41792-0541 | A-41792-0541 | 41792-0575 | A-41792-0575 |
| 16 | 26-60-5160 | A-41792-0016 | 41792-0525 | A-41792-0525 | 41792-0542 | A-41792-0542 | 41792-0576 | A-41792-0576 |
| 17 | 26-60-5170 | A-41792-0017 | 41792-0526 | A-41792-0526 | 41792-0543 | A-41792-0543 | 41792-0577 | A-41792-0577 |
| 18 | 26-60-5180 | A-41792-0018 | 41792-0527 | A-41792-0527 | 41792-0544 | A-41792-0544 | 41792-0578 | A-41792-0578 |

| | | | |
|-------------------------|------------------------------|--|---------------------|
| REV: | <u>ECR/ECN INFORMATION:</u> | <u>TITLE:</u> | <u>SHEET No.</u> |
| H6 | EC No.: UCP2008-2821 | KK 156 HEADER ASSEMBLY FRICTION LOCK RIGHT ANGLE W/O PEGS | - 2 - |
| | DATE: 6/23/2008 | | |
| <u>DOCUMENT NUMBER:</u> | <u>CREATED / REVISED BY:</u> | <u>CHECKED BY:</u> | <u>APPROVED BY:</u> |
| SDA- 41792 | GAVERRILL | MKIPPER | FSMITH |

| | | | | | | | | |
|---------|--------------|-------------------|--------------|-------------------|--------------|-------------------|--------------|-----------------|
| OPTIONS | Group | A-41792-0019/0035 | Group | A-41792-0036/0050 | Group | A-41792-0051/0067 | Group | |
| | Header No: | 41790-0002/0018 | Header No: | 41790-0004/0018 | Header No: | 41790-0002/0018 | Header No: | |
| | Pin No: | 2161-37(501) | Pin No: | 2161-37(102) | Pin No: | 2161-64(102) | Pin No: | |
| | Plating: | 501 – GOLD | Plating: | 102 – TIN | Plating: | 102 - TIN | Plating: | |
| | Pin Length L | 27.94 / 1.100 | Pin Length L | 27.94 / 1.100 | Pin Length L | 29.85 / 1.175 | Pin Length L | |
| | Mating M | 11.43 / .450 | Mating M | 11.43 / .450 | Mating M | 13.28 / .523 | Mating M | |
| | Gold Loc G | OVERALL | Gold Loc G | N/A | Gold Loc G | N/A | Gold Loc G | |
| | Height Y | 5.41 / .213 | Height Y | 5.41 / .213 | Height Y | 5.41 / .213 | Height Y | |
| | PC Tail P | 3.96/ .156 | PC Tail P | 3.96/ .156 | PC Tail P | 4.01 / .158 | PC Tail P | |
| | Tin Loc T | N/A | Tin Loc T | OVERALL | Tin Loc T | OVERALL | Tin Loc T | |
| | Voided Ckts | NONE | Voided Ckts | 4 | Voided Ckts | NONE | Voided Ckts | |
| | Pack Per | PK-41792-002 | Pack Per | PK-41792-002 | Pack Per | PK-41792-002 | Pack Per | |
| Ckts | Material No | Engineer Number | Material No | Engineer Number | Material No | Engineer Number | Material No | Engineer Number |
| 2 | 26-61-5020 | A-41792-0019 | | | | | | |
| 3 | 26-61-5030 | A-41792-0020 | | | | | | |
| 4 | 26-61-5040 | A-41792-0021 | 26-61-5043 | A-41792-0036 | 26-60-5041 | A-41792-0053 | | |
| 5 | 26-61-5050 | A-41792-0022 | 26-61-5053 | A-41792-0037 | | | | |
| 6 | 26-61-5060 | A-41792-0023 | 26-61-5063 | A-41792-0038 | | | | |
| 7 | 26-61-5070 | A-41792-0024 | 26-61-5073 | A-41792-0039 | | | | |
| 8 | 26-61-5080 | A-41792-0025 | 26-61-5083 | A-41792-0040 | | | | |
| 9 | 26-61-5090 | A-41792-0026 | 26-61-5093 | A-41792-0041 | | | | |
| 10 | 26-61-5100 | A-41792-0027 | 26-61-5103 | A-41792-0042 | | | | |
| 11 | 26-61-5110 | A-41792-0028 | 26-61-5113 | A-41792-0043 | | | | |
| 12 | 26-61-5120 | A-41792-0029 | 26-61-5123 | A-41792-0044 | | | | |
| 13 | 26-61-5130 | A-41792-0030 | 26-61-5133 | A-41792-0045 | | | | |
| 14 | 26-61-5140 | A-41792-0031 | 26-61-5143 | A-41792-0046 | | | | |
| 15 | 26-61-5150 | A-41792-0032 | 26-61-5153 | A-41792-0047 | | | | |
| 16 | 26-61-5160 | A-41792-0033 | 26-61-5163 | A-41792-0048 | | | | |
| 17 | 26-61-5170 | A-41792-0034 | 26-61-5173 | A-41792-0049 | | | | |
| 18 | 26-61-5180 | A-41792-0035 | 26-61-5183 | A-41792-0050 | | | | |

| | | | |
|-------------------------|------------------------------|--|---------------------|
| REV: | <u>ECR/ECN INFORMATION:</u> | <u>TITLE:</u> | <u>SHEET No.</u> |
| H6 | EC No.: UCP2008-2821 | KK 156 HEADER ASSEMBLY FRICTION LOCK RIGHT ANGLE W/O PEGS | - 3 - |
| | DATE: 6/23/2008 | | |
| <u>DOCUMENT NUMBER:</u> | <u>CREATED / REVISED BY:</u> | <u>CHECKED BY:</u> | <u>APPROVED BY:</u> |
| SDA- 41792 | GAVERRILL | MKIPPER | FSMITH |

| | | | | | | | | |
|---------|--------------|-------------------|--------------|-------------------|--------------|-------------------|--------------|-------------------|
| OPTIONS | Group | A-41792-0198/0213 | Group | A-41792-0214/0227 | Group | A-41792-0242/0257 | Group | A-41792-0341/0352 |
| | Header No: | 41790-0002/0018 | Header No: | 41790-0005/0018 | Header No: | 41790-0003/0018 | Header No: | 41790-0007/0018 |
| | Pin No: | 2161-37(102) | Pin No: | 2161-37(102) | Pin No: | 2161-37(102) | Pin No: | 2161-37(102) |
| | Plating: | 102 – TIN | Plating: | 102 – TIN | Plating: | 102 – TIN | Plating: | 102 – TIN |
| | Pin Length L | 27.94/ 1.100 | Pin Length L | 27.94/ 1.100 | Pin Length L | 27.94/ 1.100 | Pin Length L | 27.94/ 1.100 |
| | Mating M | 11.43 / .450 | Mating M | 11.43 / .450 | Mating M | 11.43 / .450 | Mating M | 11.43 / .450 |
| | Gold Loc G | N/A | Gold Loc G | N/A | Gold Loc G | N/A | Gold Loc G | N/A |
| | Height Y | 5.41 / .213 | Height Y | 5.41 / .213 | Height Y | 5.41 / .213 | Height Y | 5.41 / .213 |
| | PC Tail P | 3.96 / .156 | PC Tail P | 3.96 / .156 | PC Tail P | 3.96 / .156 | PC Tail P | 3.96 / .156 |
| | Tin Loc T | OVERALL | Tin Loc T | OVERALL | Tin Loc T | OVERALL | Tin Loc T | OVERALL |
| | Voided Ckts | 2 | Voided Ckts | 5 | Voided Ckts | 3 | Voided Ckts | 7 |
| | Pack Per | PK-41792-002 | Pack Per | PK-41792-002 | Pack Per | PK-41792-002 | Pack Per | PK-41792-002 |
| Ckts | Material No | Engineer Number | Material No | Engineer Number | Material No | Engineer Number | Material No | Engineer Number |
| 2 | | | | | | | | |
| 3 | 26-62-5031 | A-41792-0198 | | | 26-62-5035 | A-41792-0242 | | |
| 4 | 26-62-5041 | A-41792-0199 | | | 26-62-5045 | A-41792-0243 | | |
| 5 | 26-62-5051 | A-41792-0200 | 41792-0214 | A-41792-0214 | 26-62-5055 | A-41792-0244 | | |
| 6 | 26-62-5061 | A-41792-0201 | 26-62-5060 | A-41792-0215 | 26-62-5065 | A-41792-0245 | | |
| 7 | 26-62-5071 | A-41792-0202 | 41792-0216 | A-41792-0216 | 26-62-5075 | A-41792-0246 | 41792-0341 | A-41792-0341 |
| 8 | 26-62-5081 | A-41792-0203 | 41792-0217 | A-41792-0217 | 26-62-5085 | A-41792-0247 | 41792-0342 | A-41792-0342 |
| 9 | 26-62-5091 | A-41792-0204 | 41792-0218 | A-41792-0218 | 26-62-5095 | A-41792-0248 | 41792-0343 | A-41792-0343 |
| 10 | 26-62-5101 | A-41792-0205 | 26-62-5100 | A-41792-0219 | 26-62-5105 | A-41792-0249 | 26-62-5104 | A-41792-0344 |
| 11 | 26-62-5111 | A-41792-0206 | 41792-0220 | A-41792-0220 | 26-62-5115 | A-41792-0250 | 26-62-5114 | A-41792-0345 |
| 12 | 26-62-5121 | A-41792-0207 | 41792-0221 | A-41792-0221 | 26-62-5125 | A-41792-0251 | 41792-0346 | A-41792-0346 |
| 13 | 26-62-5131 | A-41792-0208 | 41792-0222 | A-41792-0222 | 26-62-5135 | A-41792-0252 | 41792-0347 | A-41792-0347 |
| 14 | 26-62-5141 | A-41792-0209 | 41792-0223 | A-41792-0223 | 26-62-5145 | A-41792-0253 | 41792-0348 | A-41792-0348 |
| 15 | 26-62-5151 | A-41792-0210 | 41792-0224 | A-41792-0224 | 26-62-5155 | A-41792-0254 | 41792-0349 | A-41792-0349 |
| 16 | 26-62-5161 | A-41792-0211 | 41792-0225 | A-41792-0225 | 26-62-5165 | A-41792-0255 | 41792-0350 | A-41792-0350 |
| 17 | 26-62-5171 | A-41792-0212 | 41792-0226 | A-41792-0226 | 26-62-5175 | A-41792-0256 | 41792-0351 | A-41792-0351 |
| 18 | 26-62-5181 | A-41792-0213 | 41792-0227 | A-41792-0227 | 26-62-5185 | A-41792-0257 | 41792-0352 | A-41792-0352 |

| | | | |
|-------------------|-----------------------------|--|---------------|
| REV: | ECR/ECN INFORMATION: | TITLE: | SHEET No. |
| H6 | EC No.: UCP2008-2821 | KK 156 HEADER ASSEMBLY FRICTION LOCK RIGHT ANGLE W/O PEGS | - 4 - |
| | DATE: 6/23/2008 | | |
| DOCUMENT NUMBER: | CREATED / REVISED BY: | CHECKED BY: | APPROVED BY: |
| SDA- 41792 | GAVERRILL | MKIPPER | FSMITH |

| | | | | | | | | |
|---------|--------------|-------------------|--------------|-------------------|--------------|-------------------|--------------|-------------------|
| OPTIONS | Group | A-41792-0460/0471 | Group | A-41792-0472/0483 | Group | A-41792-0484/0493 | Group | A-41792-0579/0595 |
| | Header No: | 41790-0007/0018 | Header No: | 41790-0007/0018 | Header No: | 41790-0009/0018 | Header No: | 41790-0002/0018 |
| | Pin No: | 2161-37(102) | Pin No: | 2161-37(102) | Pin No: | 2161-37(102) | Pin No: | 2161-37(154) |
| | Plating: | 102 – TIN | Plating: | 102 – TIN | Plating: | 102 – TIN | Plating: | 154 – TIN |
| | Pin Length L | 27.94 / 1.100 | Pin Length L | 27.94 / 1.100 | Pin Length L | 27.94 / 1.100 | Pin Length L | 27.94 / 1.100 |
| | Mating M | 11.43 / .450 | Mating M | 11.43 / .450 | Mating M | 11.43 / .450 | Mating M | 11.43 / .450 |
| | Gold Loc G | N/A | Gold Loc G | N/A | Gold Loc G | N/A | Gold Loc G | N/A |
| | Height Y | 5.41 / .213 | Height Y | 5.41 / .213 | Height Y | 5.41 / .213 | Height Y | 5.41 / .213 |
| | PC Tail P | 3.96 / .156 | PC Tail P | 3.96 / .156 | PC Tail P | 3.96 / .156 | PC Tail P | 3.96 / .156 |
| | Tin Loc T | OVERALL | Tin Loc T | OVERALL | Tin Loc T | OVERALL | Tin Loc T | OVERALL |
| | Voided Ckts | 2, 7 | Voided Ckts | 4, 7 | Voided Ckts | 2, 5, 9 | Voided Ckts | NONE |
| | Pack Per | PK-41792-002 | Pack Per | PK-41792-002 | Pack Per | PK-41792-002 | Pack Per | PK-41792-002 |
| Ckts | Material No | Engineer Number | Material No | Engineer Number | Material No | Engineer Number | Material No | Engineer Number |
| 2 | | | | | | | 50-29-1904 | A-41792-0579 |
| 3 | | | | | | | 50-29-1905 | A-41792-0580 |
| 4 | | | | | | | 50-29-1906 | A-41792-0581 |
| 5 | | | | | | | 50-29-1907 | A-41792-0582 |
| 6 | | | | | | | 50-29-1908 | A-41792-0583 |
| 7 | 41792-0460 | A-41792-0460 | | A-41792-0472 | | | 50-29-1909 | A-41792-0584 |
| 8 | 41792-0461 | A-41792-0461 | 26-60-5087 | A-41792-0473 | | | 50-29-1910 | A-41792-0585 |
| 9 | 26-60-5096 | A-41792-0462 | | A-41792-0474 | | A-41792-0484 | 50-29-1911 | A-41792-0586 |
| 10 | 41792-0463 | A-41792-0463 | | A-41792-0475 | | A-41792-0485 | 50-29-1912 | A-41792-0587 |
| 11 | 41792-0464 | A-41792-0464 | | A-41792-0476 | | A-41792-0486 | 50-29-1913 | A-41792-0588 |
| 12 | 41792-0465 | A-41792-0465 | | A-41792-0477 | 26-60-5128 | A-41792-0487 | 50-29-1914 | A-41792-0589 |
| 13 | 41792-0466 | A-41792-0466 | | A-41792-0478 | | A-41792-0488 | 50-29-1915 | A-41792-0590 |
| 14 | 41792-0467 | A-41792-0467 | | A-41792-0479 | | A-41792-0489 | 50-29-1916 | A-41792-0591 |
| 15 | 41792-0468 | A-41792-0468 | | A-41792-0480 | | A-41792-0490 | 50-29-1917 | A-41792-0592 |
| 16 | 41792-0469 | A-41792-0469 | | A-41792-0481 | | A-41792-0491 | 50-29-1918 | A-41792-0593 |
| 17 | 41792-0470 | A-41792-0470 | | A-41792-0482 | | A-41792-0492 | 50-29-1919 | A-41792-0594 |
| 18 | 41792-0471 | A-41792-0471 | | A-41792-0483 | | A-41792-0493 | 50-29-1920 | A-41792-0595 |

| | | | |
|-------------------------|------------------------------|--|---------------------|
| REV: | <u>ECR/ECN INFORMATION:</u> | <u>TITLE:</u> | <u>SHEET No.</u> |
| H6 | EC No.: UCP2008-2821 | KK 156 HEADER ASSEMBLY FRICTION LOCK RIGHT ANGLE W/O PEGS | - 5 - |
| | DATE: 6/23/2008 | | |
| <u>DOCUMENT NUMBER:</u> | <u>CREATED / REVISED BY:</u> | <u>CHECKED BY:</u> | <u>APPROVED BY:</u> |
| SDA- 41792 | GAVERRILL | MKIPPER | FSMITH |

| | | | | | | | | |
|---------|--------------|-------------------|--------------|-------------------|--------------|-------------------|--------------|-----------------|
| OPTIONS | Group | A-41792-0596/0612 | Group | A-41792-0613/0629 | Group | A-41792-0484/0493 | Group | |
| | Header No: | 41790-0007/0018 | Header No: | 41790-0009/0018 | Header No: | 41790-0009/0018 | Header No: | |
| | Pin No: | 2161-37(154) | Pin No: | 2161-37(154) | Pin No: | 2161-37(154) | Pin No: | |
| | Plating: | 154 – TIN | Plating: | 154 – TIN | Plating: | 154 – TIN | Plating: | |
| | Pin Length L | 27.94 / 1.100 | Pin Length L | 27.94 / 1.100 | Pin Length L | 27.94 / 1.100 | Pin Length L | |
| | Mating M | 11.43 / .450 | Mating M | 11.43 / .450 | Mating M | 11.43 / .450 | Mating M | |
| | Gold Loc G | N/A | Gold Loc G | N/A | Gold Loc G | N/A | Gold Loc G | |
| | Height Y | 5.41 / .213 | Height Y | 5.41 / .213 | Height Y | 5.41 / .213 | Height Y | |
| | PC Tail P | 3.96 / .156 | PC Tail P | 3.96 / .156 | PC Tail P | 3.96 / .156 | PC Tail P | |
| | Tin Loc T | OVERALL | Tin Loc T | OVERALL | Tin Loc T | OVERALL | Tin Loc T | |
| | Voided Ckts | 2, 7 | Voided Ckts | 2, 5, 9 | Voided Ckts | 2, 5, 9 | Voided Ckts | |
| | Pack Per | PK-41792-002 | Pack Per | PK-41792-002 | Pack Per | PK-41792-002 | Pack Per | |
| Ckts | Material No | Engineer Number | Material No | Engineer Number | Material No | Engineer Number | Material No | Engineer Number |
| 2 | | | | | | | | |
| 3 | | | | | | | | |
| 4 | | | | | | | | |
| 5 | | | | | | | | |
| 6 | | | | | | | | |
| 7 | 50-29-1926 | A-41792-0601 | | | | | | |
| 8 | 50-29-1927 | A-41792-0602 | | | | | | |
| 9 | 50-29-1928 | A-41792-0603 | 50-29-1945 | A-41792-0620 | | A-41792-0630 | | |
| 10 | 50-29-1929 | A-41792-0604 | 50-29-1946 | A-41792-0621 | | A-41792-0631 | | |
| 11 | 50-29-1930 | A-41792-0605 | 50-29-1947 | A-41792-0622 | | A-41792-0632 | | |
| 12 | 50-29-1931 | A-41792-0606 | 50-29-1948 | A-41792-0623 | 41792-0633 | A-41792-0633 | | |
| 13 | 50-29-1932 | A-41792-0607 | 50-29-1949 | A-41792-0624 | | A-41792-0634 | | |
| 14 | 50-29-1933 | A-41792-0608 | 50-29-1950 | A-41792-0625 | | A-41792-0635 | | |
| 15 | 50-29-1934 | A-41792-0609 | 50-29-1951 | A-41792-0626 | | A-41792-0636 | | |
| 16 | 50-29-1935 | A-41792-0610 | 50-29-1952 | A-41792-0627 | | A-41792-0637 | | |
| 17 | 50-29-1936 | A-41792-0611 | 50-29-1953 | A-41792-0628 | | A-41792-0638 | | |
| 18 | 50-29-1937 | A-41792-0612 | 50-29-1954 | A-41792-0629 | | A-41792-0639 | | |

| | | | |
|-------------------------|------------------------------|--|---------------------|
| REV: | <u>ECR/ECN INFORMATION:</u> | <u>TITLE:</u> | <u>SHEET No.</u> |
| H6 | EC No.: UCP2008-2821 | KK 156 HEADER ASSEMBLY FRICTION LOCK RIGHT ANGLE W/O PEGS | - 6 - |
| | DATE: 6/23/2008 | | |
| <u>DOCUMENT NUMBER:</u> | <u>CREATED / REVISED BY:</u> | <u>CHECKED BY:</u> | <u>APPROVED BY:</u> |
| SDA- 41792 | GAVERRILL | MKIPPER | FSMITH |