



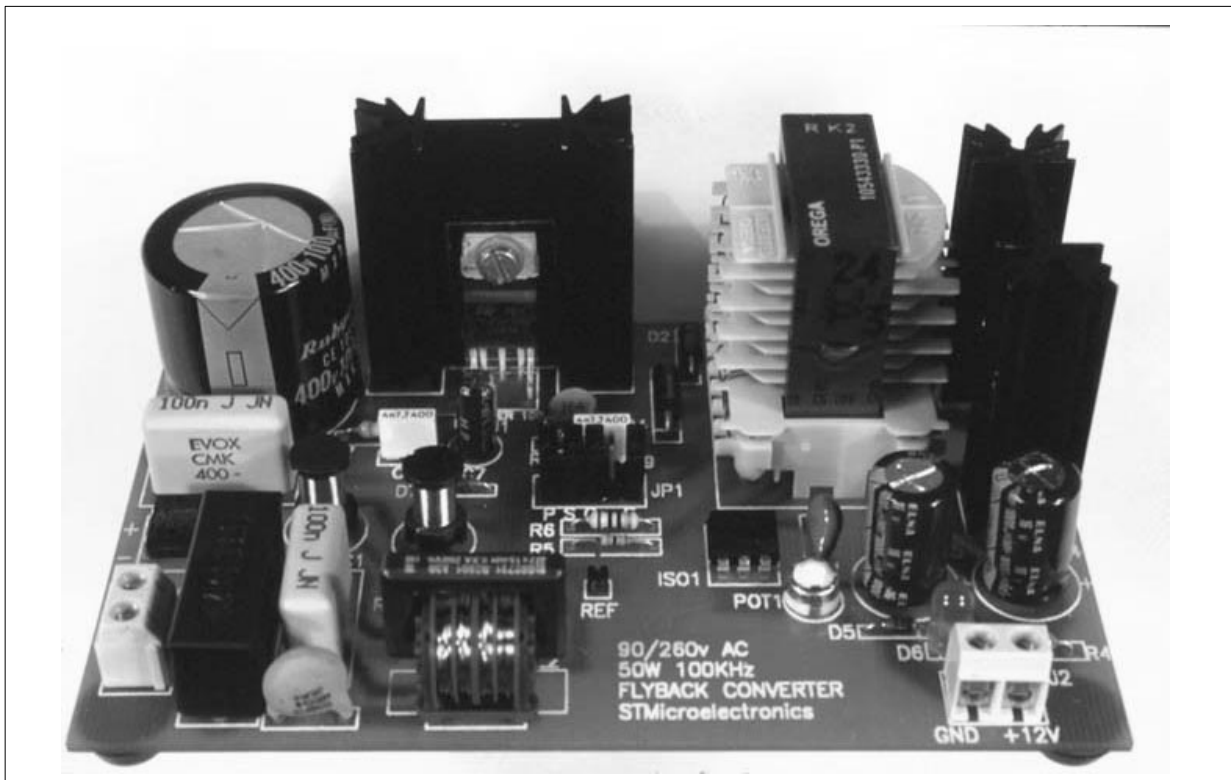
APPLICATION NOTE

OFF-LINE SMPS USING VIPer100

1 Introduction

The present board prototype is a wide-range input off-line 50W single switch Flyback, working at 100 kHz. It is based on a new off-line smart switcher : the VIPer100.

Figure 1: Standard Demoboard - ORDER CODE: VIPERKITBD



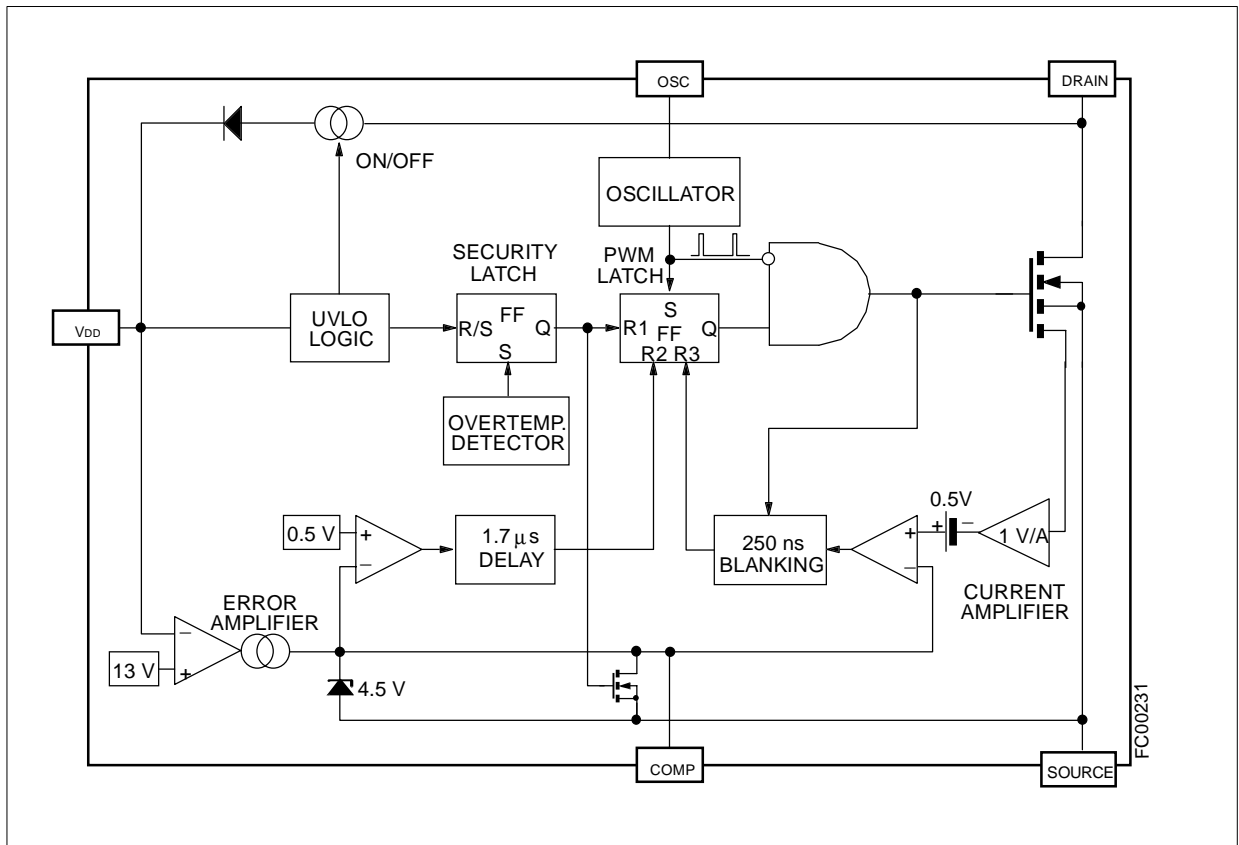
The VIPer100 is a current mode PWM with a 620V / 2.5Ω power switch, able to withstand an avalanche current during normal operation. The start up of the circuit is done with an internal high voltage current source, which is switched off during steady state. It also includes a regulation function designed to minimize the pin count, while maintaining design flexibility. Figure 2 presents the internal block diagram of this monolithic device. Such a device can be easily used in any off-line Flyback SMPS, with a 100 W power capability for a single input voltage range, or 50 W with a wide input range. This stand-alone off-line Smart Switcher concept provides a cost effective solution for SMPS of many applications like VCR, TV sets, satellite receivers or decoders. The benefits for the customer are a simpler design phase and a reduced overall components count due to the optimization of the product configuration.

APPLICATION NOTE

1.1 VIPer100 major features

- Adjustable Switching Frequency up to 200 kHz;
- Optimized for Current Mode Control Topology;
- Inherent Feedforward Compensation;
- Soft -Start and Enable Function;
- Overcurrent Protection;
- Overtemperature protection;
- Overvoltage Protection;
- Undervoltage Lock-out With Hysteresis;
- Low stand-by current;
- Integrated Start-up supply;
- Automatic Burst Mode Operation in stand-by condition;
- Internally trimmed BANDGAP reference.

Figure 2: Block Diagram



1.2 VIPer100 Pin description

VDD : This is the low level supply pin of the device. At start up, it delivers 2 mA of charging current. It is also connected to the inverted input of the error amplifier.

Osc : To be connected to an external R-C network to fix the switching frequency.

Comp : The control pin of the device. Its voltage sets the peak current of the power switch, and it is the output of the error amplifier. As this amplifier is a transconductance one, the compensation network on that pin is simply grounded.

Drain & Source : The two power pins of the device. The source is also the ground reference of the device for compensation and oscillation networks.

2 Board Features

AC Input Voltage : 90 ~ 265 V AC

Maximum output power : 50 W

DC output voltage / Load : $V_{out} = + 12V$, 4 A

Operating frequency : 100 kHz

Par. 3 gives the complete schematics of this off line flyback converter.

2.1 Feedback loop

This demoboard allows the user to choose between primary and secondary regulation. Primary regulation is done through the primary auxiliary winding which delivers the low level supply voltage on the Vdd pin of the device. This voltage represents also the secondary output voltage, if correctly filtered in order to avoid the spikes at the beginning of each off phase. This mode of running is achieved by putting one strap on JP1 in the "P" position. Secondary regulation is made with an optocoupler directly from secondary output voltage. It acts on the "COMP" pin, and the auxiliary winding is delivering the low level supply voltage at a lower value than when in primary regulation configuration, thanks to R6. The internal error amplifier is consequently saturated in high state, sourcing a constant current of about 0.5 mA on the "COMP" pin. To address this configuration, just put two straps on JP1 in the "S" position. In any case, a strap in "G" position must be always present.

2.2 Special operations

No limitation has been set on the VIPer device. This limitation can be implemented on the "COMP" pin with a zener or a Vbe multiplier, or whatever else able to clamp the voltage on this pin at about 3 V. In this specific case of any clamping the demoboard is able to deliver up to 130W of power, in continuous running. This operation must not last for more than 5 seconds. Nevertheless, the demoboard is fully protected against short circuits. This type of condition leads to a burst operation, with peak current of up to 25 A on the output. As the burst duty cycle, is rather low, no risk exists and this situation can be experienced indefinitely. The board withstands the no load condition. Pay attention that in primary regulation, the output voltage will rise at about 20 V. Secondary regulation provide a better behavior by maintaining the output voltage at about 12 V, and has also the lowest consumption on the main lines : less than 1 watt on a 325 V DC input voltage.

APPLICATION NOTE

3 Schematics and board layout

Figure 3: Printed Board - Copper side (Scale 1:1)

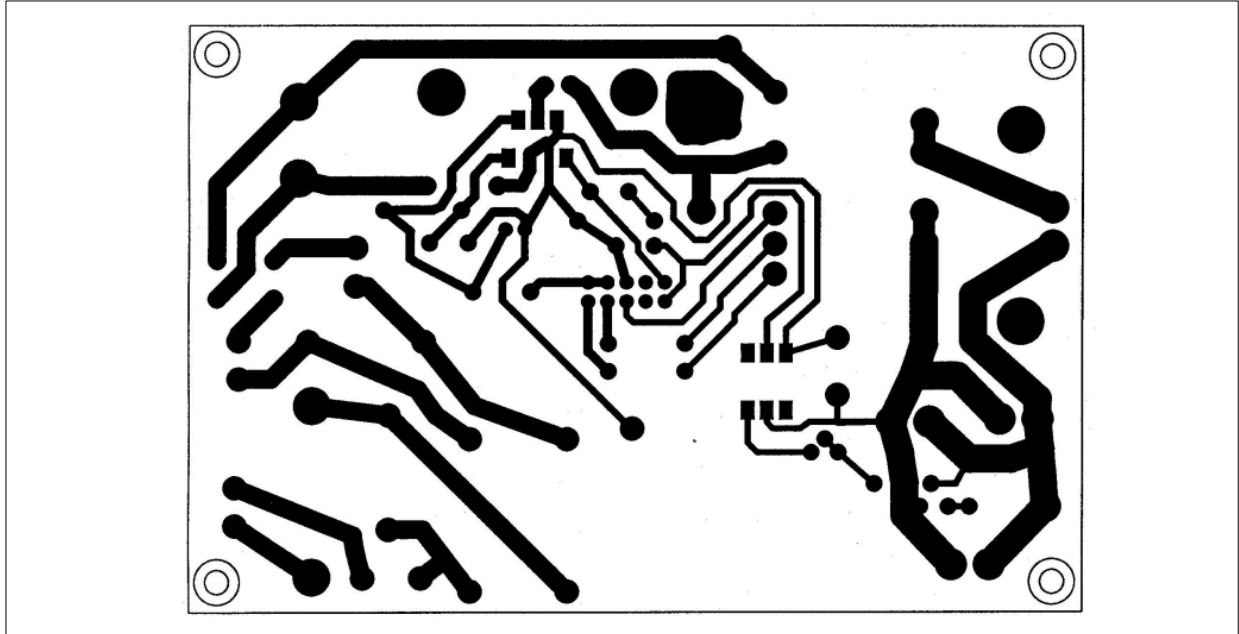


Figure 4 : Printed Board - Components side (Scale 1:1)

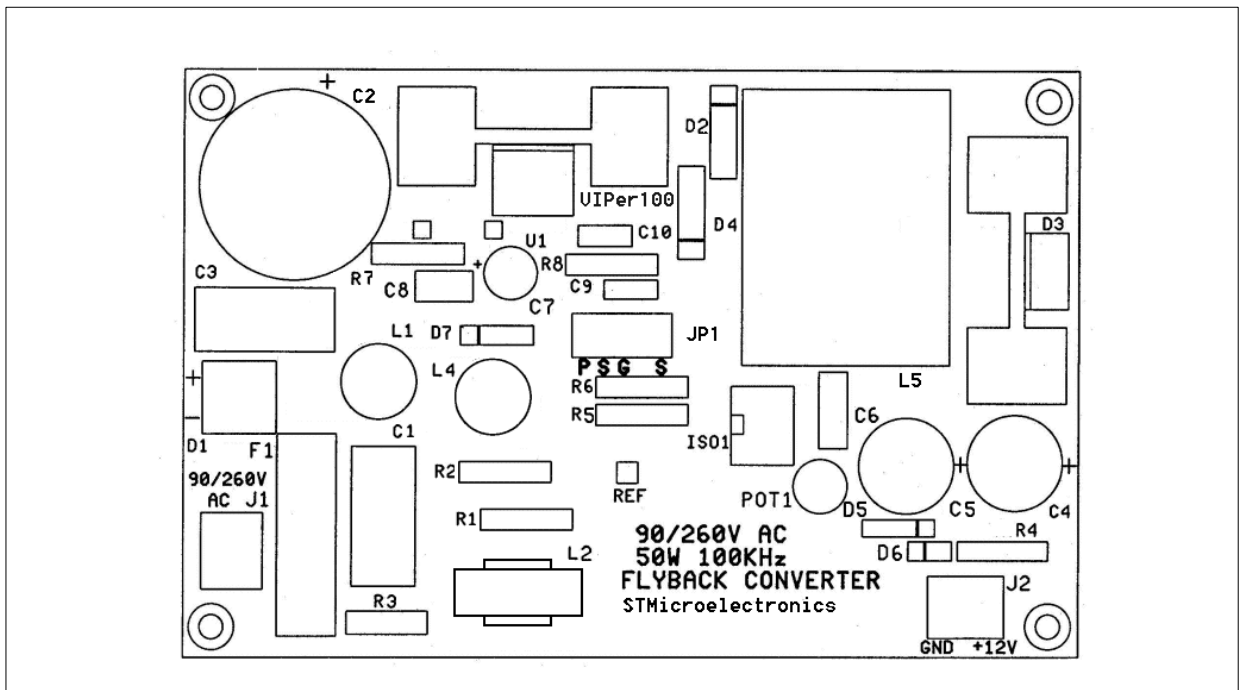
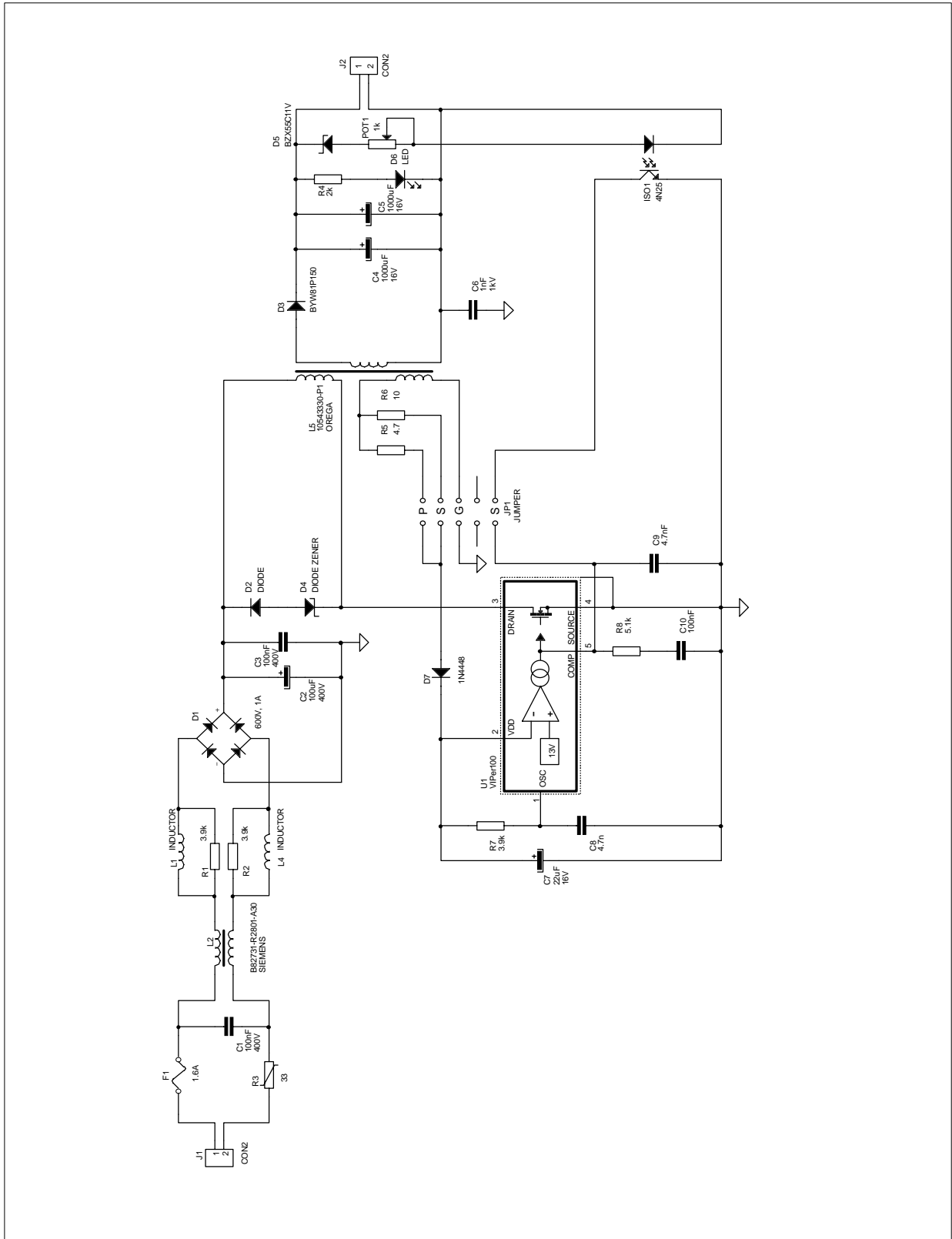


Figure 5 : Demoboard Schematics



APPLICATION NOTE

Component List

DEVICE	PITCH (mm)	TYPE	DESCRIPTION
C1	15	0,1 μ F 400V	Film
C2	10	100 μ F 400V	Electrolitic,high voltage,high temp
C3	15	0,1 μ F 400V	Film
C4	5	1000 μ F 16V	Electrolitic, low ESR
C5	5	1000 μ F 16V	Electrolitic, low ESR
C6	7,5	1nF 400V	Ceramic high voltage - ClassY
C7	2	22 μ F 16V	Electrolitic
C8	5	4,7nF	Film,WYMA
C9	5	4.7nF	Ceramic
C10	5	100nF	Ceramic
D1	8x5	1A/600V	DIL diodes bridge
D2	9	BYT11-400	
D3	5	BYW81/100	
D4	9	BZW50-180	
D5	7	BZX55C10	Zener
D6	4	GREEN LED	
D7	7	1N4448	
F1	23	2A FUSE	
ISO1	5x8	4N25	
J1	5	2contacts screw PCB connector	
J2	5	2contacts screw PCB connector	
L1	5	100uH inductor	1A rated
L2	(*)	B82731-R2801-A30	(**)
L4	5	100uH inductor	1A rated
POT1	4+3	1K Ω POT	3/4 turn, horizontal, miniature
R1	10	3.9 K Ω	0,25 W
R2	10	3.9 K Ω	0,25 W
R3	7,5	33 Ω NTC	LCC
R4	10	2 K Ω	0,25 W
R5	10	4.7 K Ω	0,25 W
R6	10	10 Ω	0,25 W
R7	10	3,9 K Ω	0,25 W
R8	10	5,1 K Ω	0,25 W
L5	(*)	OREGA 10543330-PI	(*)

(*) L5 was specifically developed from OREGA (THOMSON TELEVISION COMPONENT FRANCE) for this demoboard.

(**) L2 is a SIEMENS MATSUSHITA component.

Information furnished is believed to be accurate and reliable. However, STMicroelectronics assumes no responsibility for the consequences of use of such information nor for any infringement of patents or other rights of third parties which may result from its use. No license is granted by implication or otherwise under any patent or patent rights of STMicroelectronics. Specifications mentioned in this publication are subject to change without notice. This publication supersedes and replaces all information previously supplied. STMicroelectronics products are not authorized for use as critical components in life support devices or systems without express written approval of STMicroelectronics.

The ST logo is a registered trademark of STMicroelectronics

© 1998 STMicroelectronics - Printed in ITALY - All Rights Reserved.

STMicroelectronics GROUP OF COMPANIES

Australia - Brazil - Canada - China - France - Germany - Italy - Japan - Korea - Malaysia - Malta - Mexico - Morocco -
The Netherlands - Singapore - Spain - Sweden - Switzerland - Taiwan - Thailand - United Kingdom - U.S.A.

<http://www.st.com>