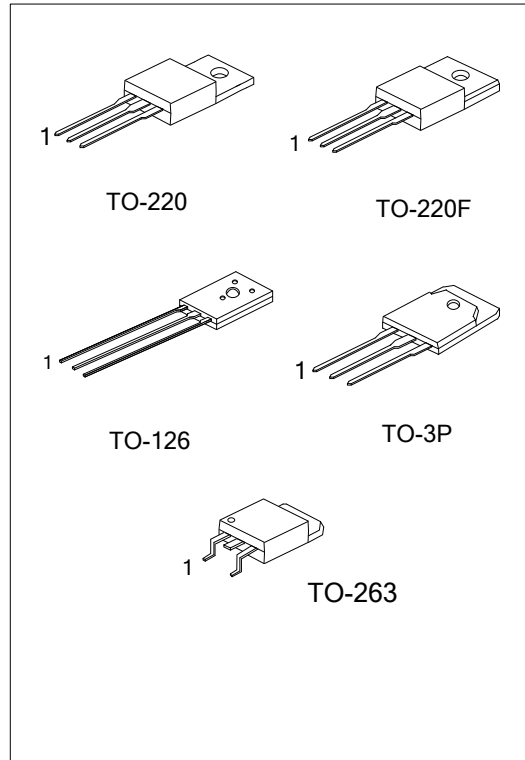




SWITCHING REGULATOR APPLICATIONS

■ **FEATURES**

- * High Speed.
- * High Breakdown Voltage ($V_{CBO}=1500V$).
- * High Reliability.



■ **ORDERING INFORMATION**

Ordering Number		Package	Pin Description			Packing
Lead Free	Halogen Free		1	2	3	
C6084L-x-TA3 -T	C6084G-TA3-x-T	TO-220	B	C	E	Tube
C6084L-x-TF3 -T	C6084G-TF3-x-T	TO-220F	B	C	E	Tube
C6084L-x-T60-K	C6084G-T60-x-K	TO-126	B	C	E	Bulk
C6084L-x-T3P-T	C6084G-T3P-x-T	TO-3P	B	C	E	Tube
C6084L-x-TQ2-R	C6084G-TQ2-x-R	TO-263	B	C	E	Tape Reel
C6084L-x-TQ2-T	C6084G-TQ2-x-T	TO-263	B	C	E	Tube

<p>C6084L-x-TA3-T</p> <p>(1) Packing Type (2) Package Type (3) Rank (4) Lead Free</p>	<p>(1) T: Tube, K: Bulk, R: Tape Reel (2) TA3: TO-220, TF3: TO-220F, T60: TO-126, T3P: TO-3P, TQ2: TO-263 (3) x: refer to Classification of h_{FE1} (4) G: Halogen Free, L: Lead Free</p>
---	--

■ ABSOLUTE MAXIMUM RATING ($T_A=25^\circ\text{C}$)

PARAMETER		SYMBOL	RATINGS	UNIT
Collector-Base Voltage	TO-220/TO-220F/TO-3P/ TO-263	V_{CBO}	1.5	KV
	TO-126		1.4	
Collector-Emitter Voltage		V_{CEO}	800	V
Emitter-Base Voltage		V_{EBO}	5	V
Collector Current	TO-220/TO-220F/TO-3P/ TO-263	I_C	5	A
	TO-126		3	
	TO-220/TO-220F/TO-3P/ TO-263	I_{CP}	12	A
	TO-126		6	
Collector Dissipation	TO-220/ TO-263	P_C	1.75	W
	TO-220F		1.35	
	TO-126		1.25	
	TO-3P		3.125	
Junction Temperature		T_J	150	$^\circ\text{C}$
Storage Temperature		T_{STG}	-55 ~ +150	$^\circ\text{C}$

Note: Absolute maximum ratings are those values beyond which the device could be permanently damaged.

Absolute maximum ratings are stress ratings only and functional device operation is not implied.

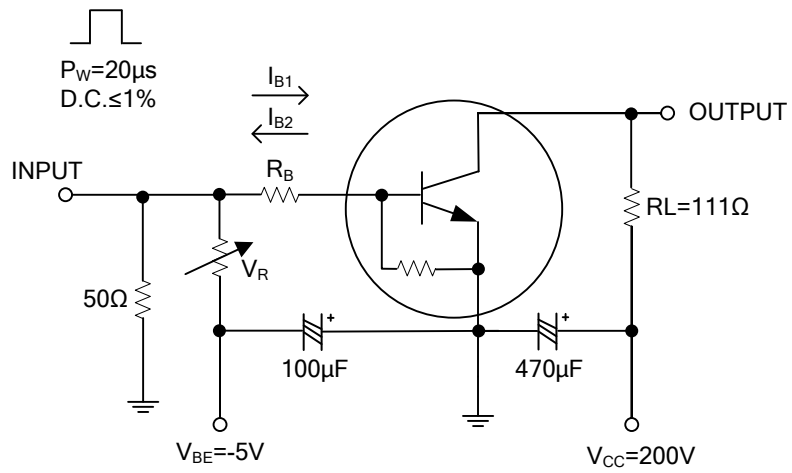
■ ELECTRICAL CHARACTERISTICS ($T_A=25^\circ\text{C}$)

PARAMETER		SYMBOL	TEST CONDITIONS	MIN	TYP	MAX	UNIT
Collector Cutoff Current		I_{CBO}	$V_{CB}=800\text{V}, I_E=0\text{A}$			10	μA
Collector Cutoff Current		I_{CES}	$V_{CE}=1500\text{V}, R_{BE}=0\Omega$			1.0	mA
Collector Sustain Voltage		$V_{CEO(SUS)}$	$I_C=10\text{mA}, I_B=0\text{A}$	800			V
Emitter Cutoff Current		I_{EBO}	$V_{BE}=4\text{V}, I_C=0\text{A}$			1.0	mA
Collector-Emitter Saturation Voltage	TO-220/TO-220F/ TO-263/TO-3P	$V_{CE(SAT)}$	$I_C=2.7\text{A}, I_B=0.54\text{A}$			3	V
	TO-126		$I_C=1.4\text{A}, I_B=0.27\text{A}$			3	
Base-Emitter Saturation Voltage	TO-220/ TO-220F/ TO-263/TO-3P	$V_{BE(SAT)}$	$I_C=2.7\text{A}, I_B=0.54\text{A}$			1.5	V
	TO-126		$I_C=1.4\text{A}, I_B=0.27\text{A}$			1.5	
DC Current Gain		h_{FE1}	$V_{CE}=5\text{V}, I_C=0.5\text{A}$	10		25	
	TO-220/TO-220F/ TO-263/TO-3P	h_{FE2}	$V_{CE}=5\text{V}, I_C=3\text{A}$	5		8	
	TO-126		$V_{CE}=5\text{V}, I_C=1.8\text{A}$	5		8	
Fall Time		T_F	$I_C=1.8\text{A}, I_{B1}=0.36\text{A}, I_{B2}=-0.72\text{A}$			0.2	μS

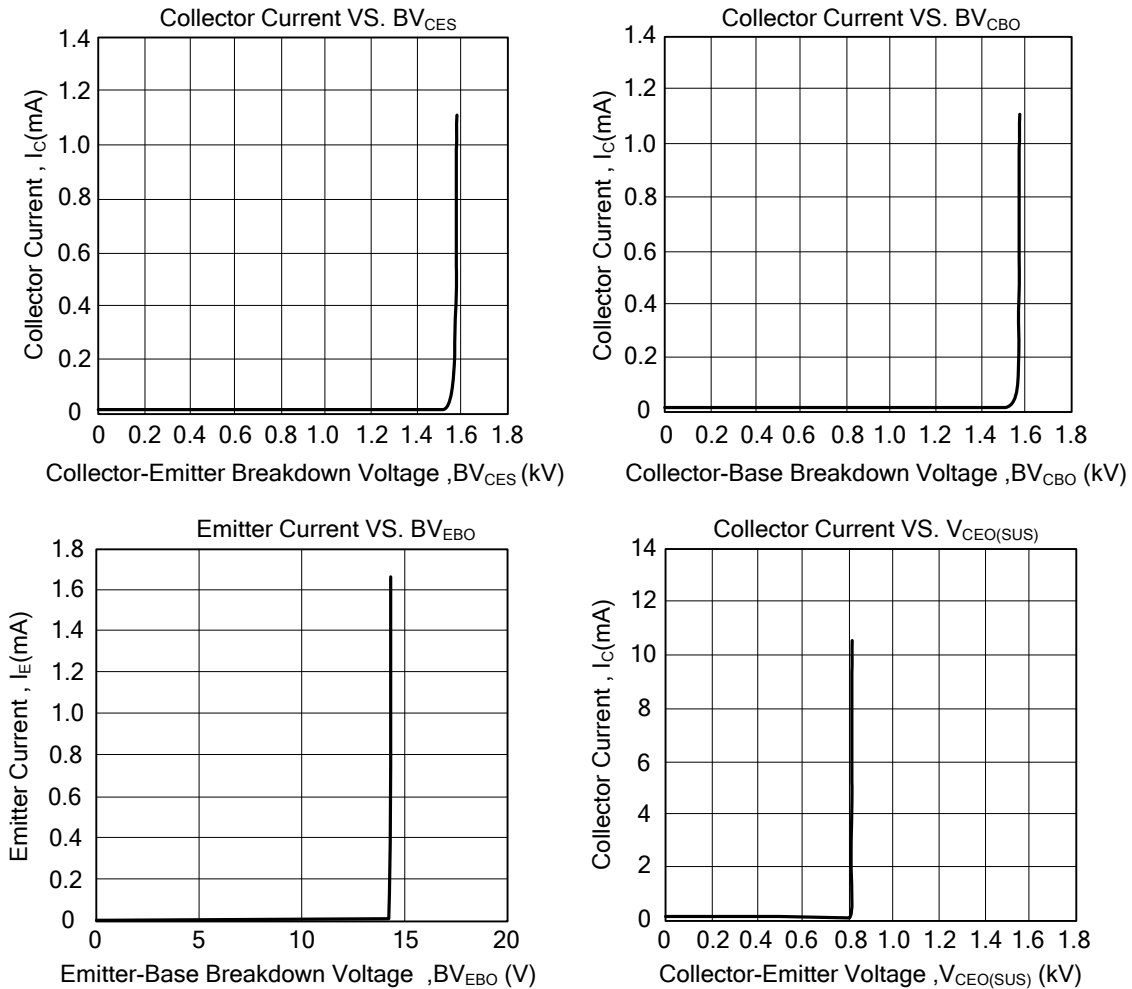
■ CLASSIFICATION OF h_{FE1}

RANK	A	B	C
RANGE	10 ~ 15	15 ~ 20	20 ~ 25

■ TEST CIRCUIT



■ TYPICAL CHARACTERISTICS



UTC assumes no responsibility for equipment failures that result from using products at values that exceed, even momentarily, rated values (such as maximum ratings, operating condition ranges, or other parameters) listed in products specifications of any and all UTC products described or contained herein. UTC products are not designed for use in life support appliances, devices or systems where malfunction of these products can be reasonably expected to result in personal injury. Reproduction in whole or in part is prohibited without the prior written consent of the copyright owner. The information presented in this document does not form part of any quotation or contract, is believed to be accurate and reliable and may be changed without notice.