

■ FEATURES

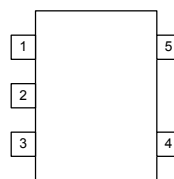
- Low dropout voltage: 180mV at 300mA ($V_o=3.3V$)
- Quiescent current: Typ. 65 μ A
- $\pm 2\%$ Voltage Accuracy
- High PSRR: 67dB at 100Hz
- Thermal Shutdown
- Current Limiting
- Excellent line and load regulation
- Fast response
- Short circuit protection
- Low temperature coefficient
- Shutdown current: 0.5 μ A
- Space saving SOT23-5L package

■ APPLICATIONS

- Cordless phones
- Cellular phones
- Bluetooth earphones
- Digital Cameras
- Portable electronics
- WLANs
- MP3 players

■ PIN CONFIGURATION

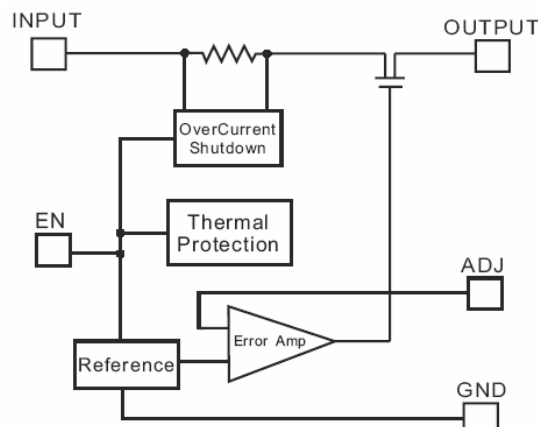
(Top View)



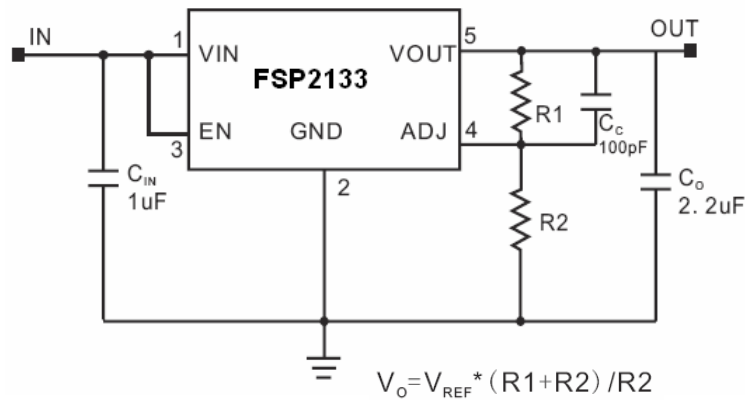
■ PIN DESCRIPTION

Pin Number	Pin Name	Pin Function
1	VIN	Input
2	GND	Ground
3	EN	Chip Enable (active high)
4	ADJ	Adjustable pin
5	VOUT	Output

■ BLOCK DIAGRAM



■ TYPICAL APPLICATIONS CIRCUITS



■ ABSOLUTE MAXIMUM RATINGS

Parameter	Rating	Unit
Input Supply Voltage	+6	V
Output Current	300	mA
Output Pin Voltage	GND-0.3 to VIN+0.3	V
Internal Power Dissipation	400	mW
Junction to Case Thermal Resistance (θ_{JC})	130	$^{\circ}\text{C}/\text{W}$
Junction to Ambient Thermal Resistance (θ_{JA})	250	$^{\circ}\text{C}/\text{W}$
Operating temperature	-40 to 85	$^{\circ}\text{C}$
Operating Junction Temperature	-40 to 125	$^{\circ}\text{C}$
Storage Temperature	-65 to 150	$^{\circ}\text{C}$
Lead Temperature (Soldering, 5 sec)	300	$^{\circ}\text{C}$

Note: Absolute Maximum Ratings are those values beyond which the life of a device may be impaired.

■ ELECTRICAL CHARACTERISTICS

($V_{IN} = 4V$, $V_O = 3V$, $C_{IN} = 1\mu F$, $C_O = 2.2\mu F$, $T_A = 25^\circ C$ unless otherwise specified.)

PARAMETER	SYMBOL	TEST CONDITIONS	MIN	TYP	MAX	UNIT	
Input Voltage	V_{IN}		Note1		5.5	V	
Output Voltage	V_O		1.2		5	V	
Reference Voltage	V_{REF}			1.235		V	
Output Voltage Accuracy	V_O	$I_O = 1mA$	-2		+2	%	
Output Current	I_O		300		Note2	mA	
Short Circuit Current	I_{SC}	$V_O = 0V$		150		mA	
Ground Current	I_{GND}	$I_O = 1mA$ to 300mA		70	90	μA	
Quiescent Current	I_Q	$I_O = 0mA$		65	90	μA	
Line Regulation	LNR	$I_O = 1mA$, $V_{IN} = 3V$ to 5V	-0.4	0.2	0.4	%/V	
Load Regulation Error	LDR	$I_O = 1mA$ to 300mA	-1	0.2	1	%	
Temperature Coefficient	T_C	$I_O = 1mA$		40		ppm/ $^\circ C$	
Over Temperature Shutdown	OTS	$I_O = 1mA$		150		$^\circ C$	
Over Temperature Hysteresis	OTH	$I_O = 1mA$		30		$^\circ C$	
Power Supply Ripple Rejection	PSRR	$I_O = 100mA$ $V_O = 1.2V$	$f = 100Hz$		67	dB	
			$f = 1KHz$		65		
			$f = 10KHz$		42		
Dropout Voltage	V_{DO}	$I_O = 300mA$	$2.5 \leq V_O < 3.3V$		370	450	mV
			$V_O \geq 3.3V$		180	230	
EN Input High Threshold	V_{IH}	$V_{IN} = 2.5V$ to 5V	1.5			V	
EN Input Low Threshold	V_{IL}	$V_{IN} = 2.5V$ to 5V			0.3	V	
Output Noise	V_n	$f = 10Hz$ to 100kHz		50		μV_{RMS}	
Shutdown Current	I_{SD}	$V_{EN} = 0V$		0.01	1	μA	

Note 1: The minimum input voltage of the FSP2133 is determined by output voltage and dropout voltage. The minimum input voltage is defined as:

$$V_{IN(MIN)} = V_O + V_{DROP}$$

Note 2: Output current is limited by P_D , maximum $I_O = P_D / (V_{IN(MAX)} - V_O)$

■ APPLICATION INFORMATION

Capacitor Selection and Regulator Stability

Similar to any low dropout regulator, the external capacitors used with the FSP2133 must be carefully selected for regulator stability and performance.

Using a capacitor, C_{IN} , whose value is $> 1\mu F$ at the FSP2133 input pin, the amount of the capacitance can be increased without limit. Please note that the distance between C_{IN} and the input pin of the FSP2133 should not exceed 0.5 inch. Ceramic capacitors are suitable for the FSP2133. Capacitors with larger values and lower ESR provide better PSRR and line-transient response.

The FSP2133 is designed specifically to work with low ESR ceramic output capacitors in order to save space and improve performance. Using an output ceramic capacitor whose value is $> 2.2\mu F$ with $ESR > 5m\Omega$ ensure stability.

ADJ Output Voltage Programming

The output voltage of the FSP2133 adjustable regulator is programmed by using an external resistor divider as shown in figure 1. The output voltage is calculated using:

$$V_o = V_{REF} (1 + R1/R2)$$

Resistor R1 and R2 should be chosen for approximately 7uA divider current. Low value resistors can be used but offer no advantage and waste more power. Higher value should be avoided as leakage current at ADJ pin increase the output voltage error. C_c is unnecessary when $R1$ or $R2 < 20K$. The recommended design procedure is to choose $R2=169k\Omega$ to set the divider current at 7uA and then calculated R1 using:

$$R1 = (V_o/V_{REF} - 1)R2$$

Load Transient Considerations

The figure7 shows the FSP2133 load transient response. It shows two components the output response: a DC shift from the output impedance due to the load current change and transient response. The DC shift is quite small due to excellent load regulation of the FSP2133. The transient spike, resulting from a step change in the load current from 1mA to 300mA, is 20mV. The ESR of the output capacitor is critical to the transient spike. A larger capacitance along with smaller ESR results in a smaller spike.

Shutdown Input Operation

The FSP2133 is shutdown by pulling the EN input low, and is turned on by tying the EN input to VIN or leaving the EN input floating.

Internal P-Channel Pass Transistor

The FSP2133 features a 0.75Ω P-Channel MOSFET device as a pass transistor. The P-MOS pass transistor enables the FSP2133 to consume only $65\mu A$ of ground current during low dropout, light load, or heavy load operations. This feature increases the battery operation life time.

Dropout Voltage

A regulator's minimum dropout voltage determines the lowest usable supply voltage. The FSP2133 has a typical 300mV dropout voltage. In battery powered systems, this will determine the useful end-of-life battery voltage.

Current Limit and Short Circuit Protection

The FSP2133 features a current limit, which monitors and controls the gate voltage of the pass transistor. The output current can be limited to 400mA by regulating the gate voltage. The FSP2133 also has a built-in short circuit current limit.

Thermal Considerations

Thermal protection limits power dissipation in the FSP2133. When the junction temperature exceeds $150^\circ C$, the OTP (Over Temperature Protection) starts the thermal shutdown and turns the pass transistor off. The pass transistor resumes operation after the junction temperature drops below $120^\circ C$.

For continuous operation, the junction temperature should be maintained below $125^\circ C$. The power dissipation is defined as :

$$P_D = (V_{IN} - V_{OUT}) * I_O + V_{IN} * I_{GND}$$

The maximum power dissipation depends on the thermal resistance of IC package, PCB layout, the rate of surrounding airflow and temperature difference between junction and ambient. The maximum power dissipation can be calculated by the following formula:

$$P_{D(MAX)} = (T_{J(MAX)} - T_A) / \theta_{JA}$$

Where $T_{J(MAX)}$ is the maximum allowable junction temperature $125^\circ C$. T_A is the ambient temperature and θ_{JA} is the thermal resistance from the junction to the ambient.

For example, θ_{JA} is $250^\circ C/W$ for the SOT23-5L package, based on the standard JEDEC 51-3 for a single layer thermal test board. The maximum power dissipation at $T_A=25^\circ C$ can be calculated by the following formula:

$$P_{D(MAX)} = (125^\circ C - 25^\circ C) / 250 = 0.4W$$

It is also useful to calculated the junction temperature of the FSP2133 under a set of specific conditions. In this

FSP2133

example let the input voltage $V_{IN}=3.3V$, the output current $I_O=300mA$ and the case temperature $T_A=40^\circ C$ measured by a thermal couple during operation. The power dissipation for the $V_O=2.8V$ version of the FSP2133 can be calculated as:

$$P_D=(3.3V-2.8V)*300mA+3.3V*70\mu A \cong 150mW$$

And the junction temperature, T_J , can be calculated as follows:

$$T_J=T_A+P_D*\theta_{JA}$$

$$T_J=40^\circ C+0.15W*250^\circ C/W$$

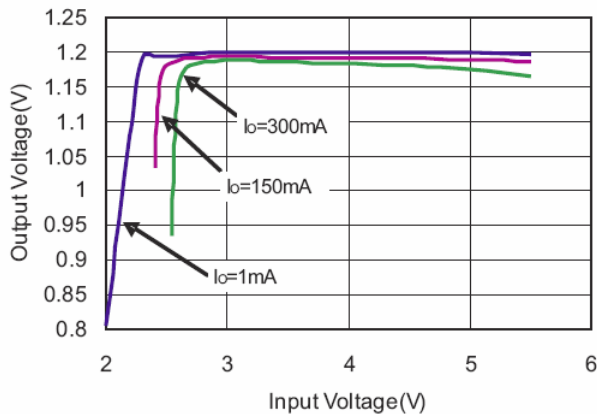
$$=77.5^\circ C < T_{J(MAX)}=125^\circ C$$

For this operating condition, T_J is lower than the absolute maximum operating junction temperature, $125^\circ C$, so it is safe to use the FSP2133 in this configuration.

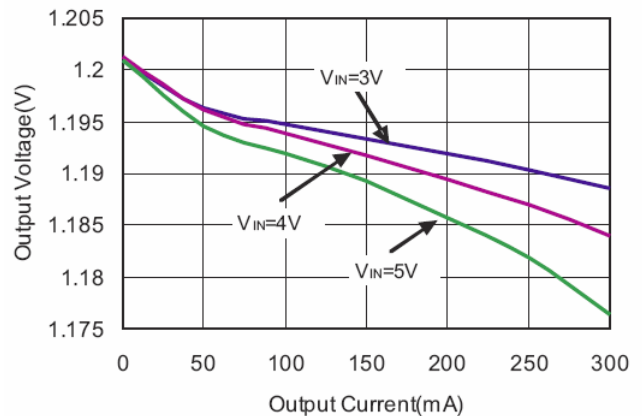
■ TYPICAL PERFORMANCE CHARACTERISTICS

($V_O = 1.2V$, $C_{IN} = 1\mu F$, $C_O = 2.2\mu F$, $T_A = 25^\circ C$ unless otherwise specified.)

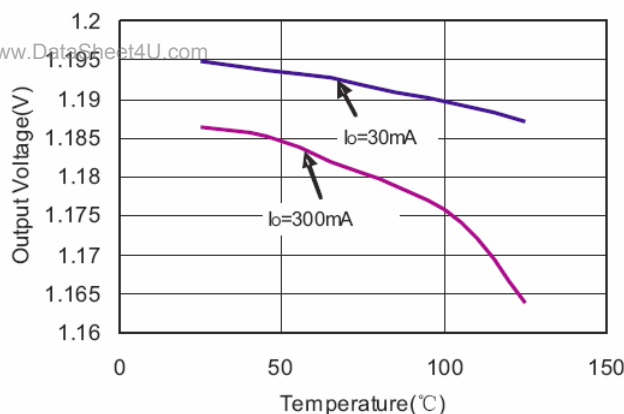
1. Output Voltage vs Input Voltage



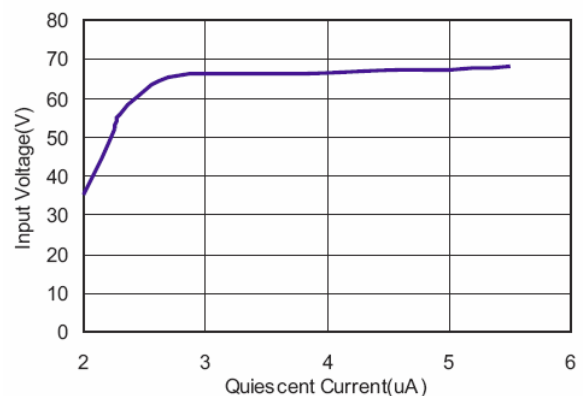
2. Output Voltage vs Output Current



3. Output Voltage vs Temperature



4. Quiescent Current vs Input Voltage





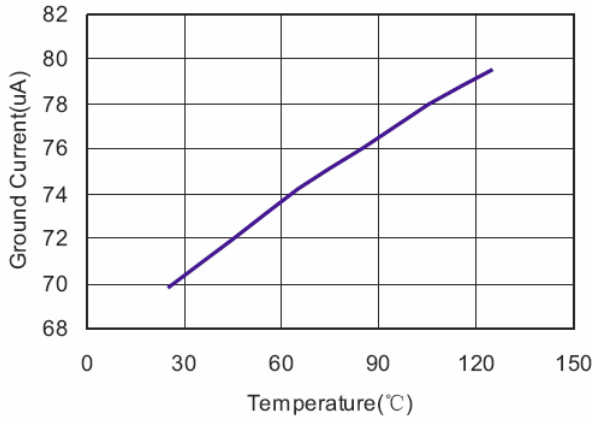
300MA ADJUSTABLE HIGH PSRR CMOS LINEAR REGULATOR

FSP2133

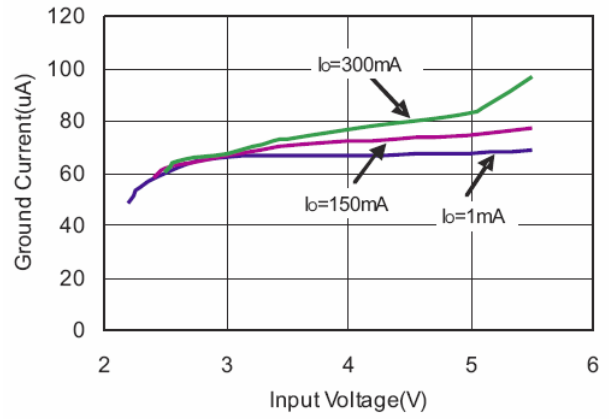
TYPICAL PERFORMANCE CHARACTERISTICS (CONTINUED)

($V_0 = 1.2V$, $C_{IN} = 1\mu F$, $C_O = 2.2\mu F$, $T_A = 25^\circ C$ unless otherwise specified.)

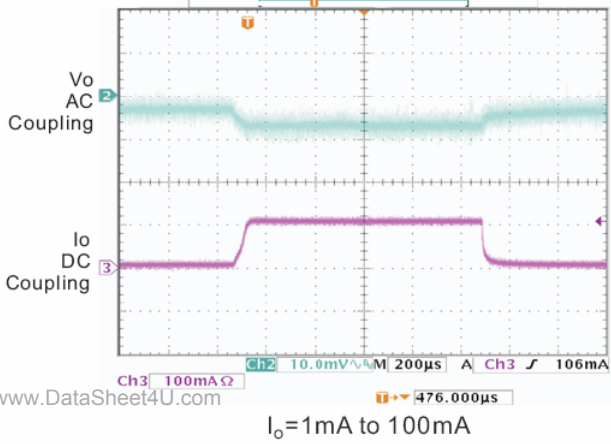
5. Ground Current vs Temperature



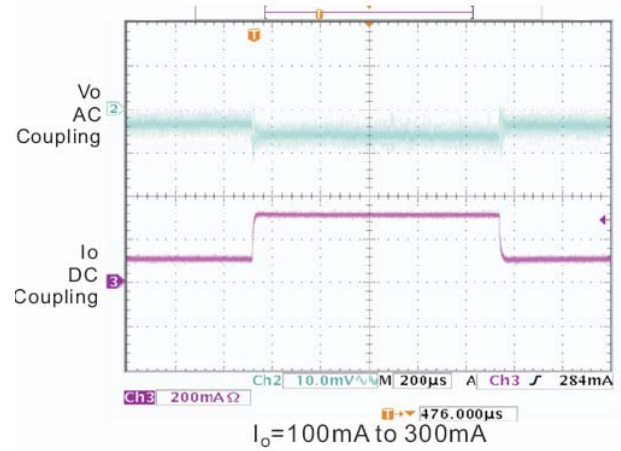
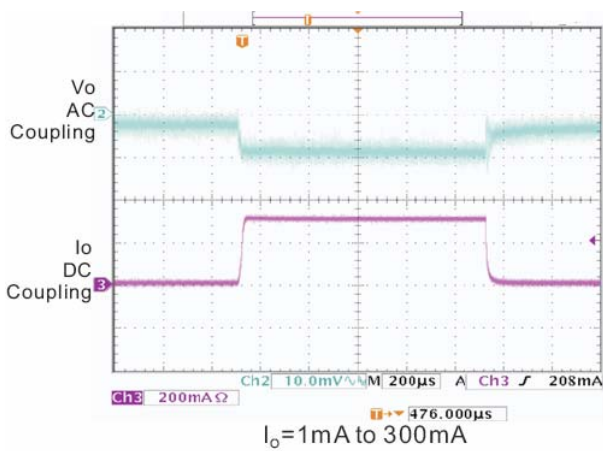
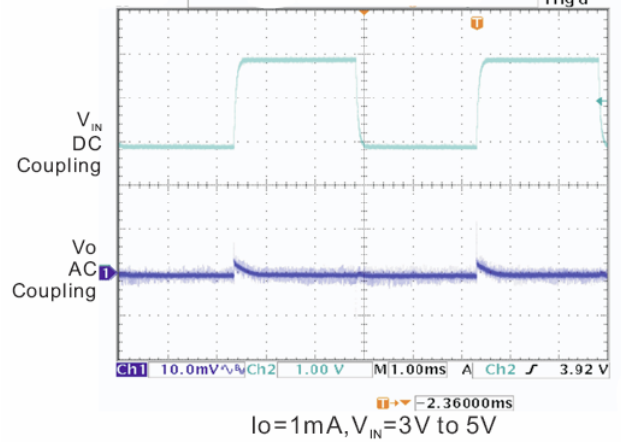
6. Ground Current vs Input Voltage



7. Load Regulation Transient Response

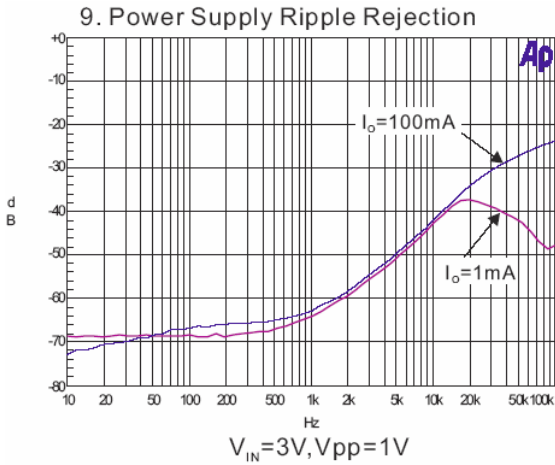


8. Line Regulation Transient Response

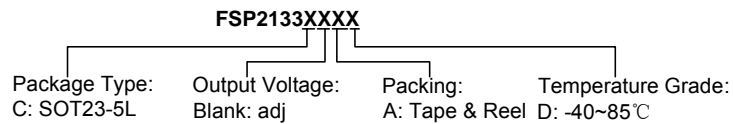


■ **TYPICAL PERFORMANCE CHARACTERISTICS (CONTINUED)**

($V_0 = 1.2V$, $C_{IN} = 1\mu F$, $C_O = 2.2\mu F$, $T_A = 25^\circ C$ unless otherwise specified.)

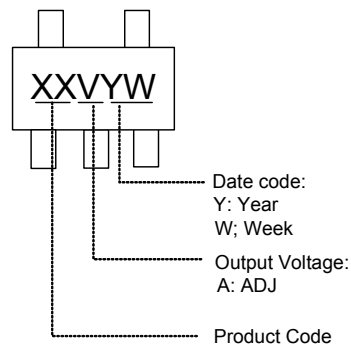


■ **ORDERING INFORMATION**

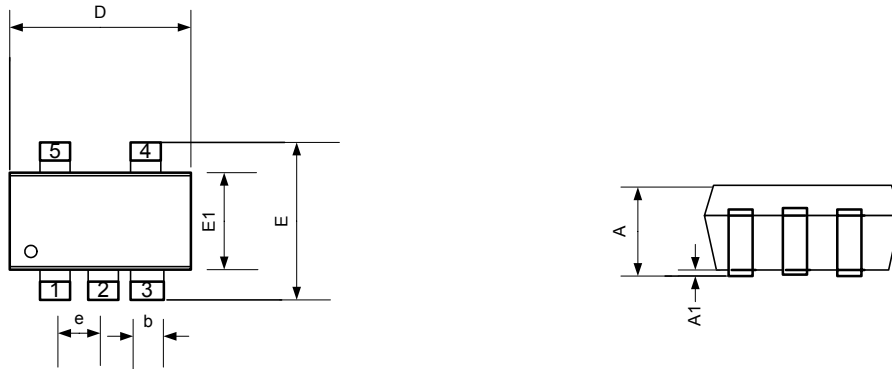


■ **MARKING INFORMATION**

www.DataSheet4U.com



■ PACKAGE INFORMATION



Symbol	Dimensions In Millimeters		Dimensions In Inches	
	Min.	Max.	Min.	Max.
A	0.889	1.295	0.036	0.052
A1	0.000	0.152	0.000	0.006
b	0.353	0.599	0.014	0.024
D	2.692	3.099	0.108	0.124
E	2.591	2.977	0.104	0.119
E1	1.397	1.803	0.056	0.072
e	0.838	1.041	0.034	0.042