

POWER FAILURE DETECTOR AND RESET GENERATOR

GENERAL DESCRIPTION

The PCF 1252-X family are CMOS voltage detectors designed especially for power-ON/OFF detection in microcontroller/microprocessor systems (for initialization and data storage purposes). The output \overline{POWF} is activated at a precise, temperature stable, trip-point. The RESET output has a built-in delay with duration determined by an external capacitor (C_{CT}). A second comparator (comparator 2) has been included to allow for the possibility of a second monitoring point in the system.

Features

- Low current consumption, typically $6 \mu A$
- 10 versions available, trip-points vary from 2.55 V to 4.75 V
- Temperature stable trip-point
- Variable RESET delay
- Reset polarity selection
- Comparator for second level detection (e.g. overvoltage detection)
- Advance warning of power failure

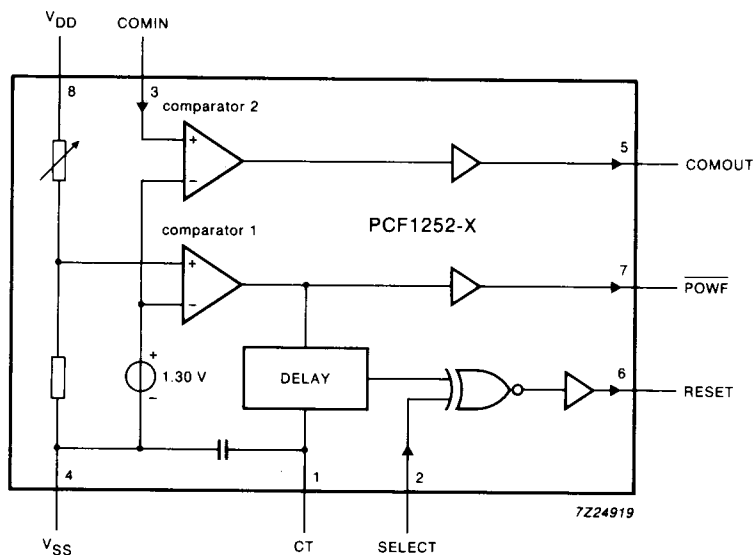


Fig.1 Block diagram.

PACKAGE OUTLINES

PCF 1252-XP: 8-lead DIL; plastic (SOT97).

PCF 1252-XT: 8-lead mini-pack; plastic (SO8; SOT96A).