

USB Buccaneer®

IP68



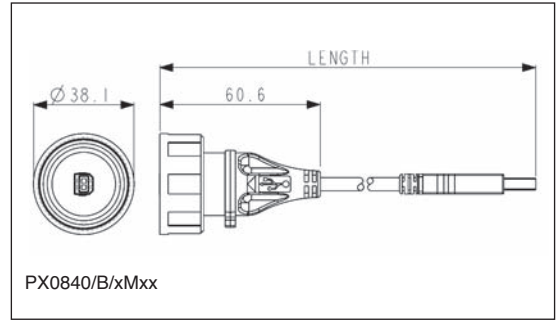
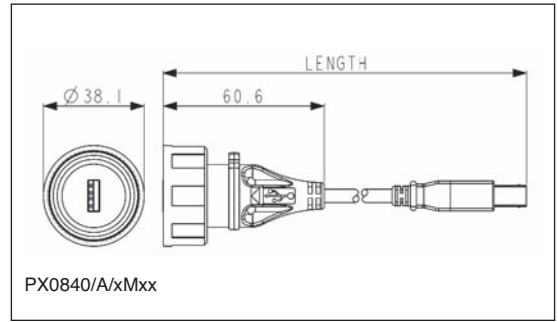
- IP68 rated
- USB version 2.0 performance
- Plug and play capability
- Visual mating indication
- Shielded system
- Single and double ended cables
- Screw coupling
- PCB versions
- ▶ Dust and waterproof sealing when mated
- ▶ Low and high speed bus connection, 1.5Mbps to 480Mbps
- ▶ Hot pluggable, standard 4 pole interface
- ▶ Alignment indicator reduces risk of damage during mating
- ▶ High noise immunity and EMI protection
- ▶ Suitable for PC and peripheral configuration
- ▶ Secure, proven locking system
- ▶ Direct mounting or via adaptor leads

SEALED USB CABLES - SINGLE ENDED



Single ended sealed cable assembly

- IP68 'A' type USB connector to standard 'B' type USB connector, mates with all panel mount connectors
- IP68 'B' type USB connector to standard 'A' type USB connector, mates with all panel mount connectors
- Available in 2m, 3m and 5m lengths



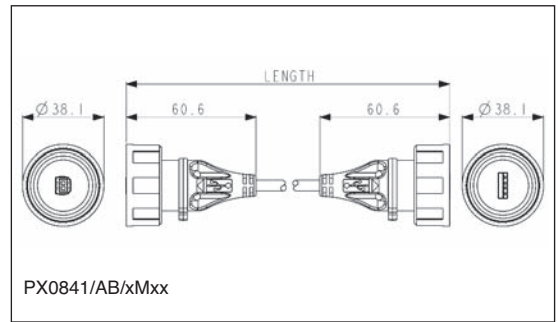
| Part No. | Length | Description |
|---------------|--------|--|
| PX0840/A/2M00 | 2m | IP68 A type USB to standard B type USB |
| PX0840/A/3M00 | 3m | IP68 A type USB to standard B type USB |
| PX0840/A/5M00 | 5m | IP68 A type USB to standard B type USB |
| PX0840/B/2M00 | 2m | IP68 B type USB to standard A type USB |
| PX0840/B/3M00 | 3m | IP68 B type USB to standard A type USB |
| PX0840/B/5M00 | 5m | IP68 B type USB to standard A type USB |

SEALED USB CABLES - DOUBLE ENDED



Double ended sealed cable assembly

- IP68 'A' type USB connector to IP68 'B' type USB connector
- Mates with all panel mount connectors
- Available in 2m, 3m and 5m lengths



| Part No. | Length | Description |
|----------------|--------|------------------------------------|
| PX0841/AB/2M00 | 2m | IP68 A type USB to IP68 B type USB |
| PX0841/AB/3M00 | 3m | IP68 A type USB to IP68 B type USB |
| PX0841/AB/5M00 | 5m | IP68 A type USB to IP68 B type USB |

USB Buccaneer®

FRONT PANEL MOUNTING CONNECTOR



- PX0842/A - USB 'A' type IP68 connector
- PX0842/B - USB 'B' type IP68 connector
- Opposite connector to rear of panel
- Mates with PX0840 and PX0841 cable connectors



| Part No. | Description |
|----------|---|
| PX0842/A | IP68 A type USB, front panel mounted. Sealed A type at front of panel, standard B type at rear. |
| PX0842/B | IP68 B type USB, front panel mounted. Sealed B type at front of panel, standard A type at rear. |

FRONT PANEL MOUNTING CONNECTOR



- PX0843/A - USB 'A' type IP68 connector
- PX0843/B - USB 'B' type IP68 connector
- Leaded with 5 way crimp connector
- Mates with PX0840 and PX0841 cable connectors



| Part No. | Description |
|----------|---|
| PX0843/A | IP68 A type USB, front panel mounted. Sealed A type at front of panel, 5 way crimp connector at rear. |
| PX0843/B | IP68 B type USB, front panel mounted. Sealed B type at front of panel, 5 way crimp connector at rear. |
| PX0460/A | As PX0843/A with exposed braid for use with PX0465 screening can |
| PX0460/B | As PX0843/B with exposed braid for use with PX0465 screening can |

FRONT PANEL MOUNTING CONNECTOR



- IP68 Sealed through panel
- PX0844/A - USB 'A' type IP68 connector
- PX0844/B - USB 'B' type IP68 connector
- Standard USB interface plug options to rear of panel
- 500mm standard cable length, other lengths available
- Mates with PX0840 and PX0841



| Part No. | Description |
|-----------------|---|
| PX0844/A/OM50/A | IP68 A type USB, sealed through panel, Sealed 'A' type at front of panel, standard 'A' type at rear |
| PX0844/A/OM50/B | IP68 A type USB, sealed through panel, Sealed 'A' type at front of panel, standard 'B' type at rear |
| PX0844/B/OM50/A | IP68 B type USB, sealed through panel, Sealed 'B' type at front of panel, standard 'A' type at rear |
| PX0844/B/OM50/B | IP68 B type USB, sealed through panel, Sealed 'B' type at front of panel, standard 'B' type at rear |

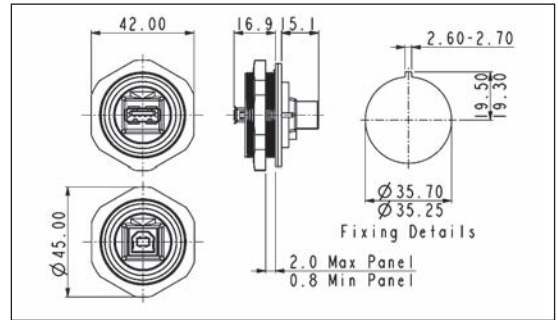
BUCCANEER DATA

USB Buccaneer®

REAR PANEL MOUNTING CONNECTOR



- PX0848/A - USB 'A' type IP68 connector
- PX0848/B - USB 'B' type IP68 connector
- Opposite connector to rear of panel
- Mates with PX0840 and PX0841 cable connectors



| Part No. | Description |
|----------|--|
| PX0848/A | IP68 A type USB, rear panel mounted. Sealed A type at front of panel, standard B type at rear. |
| PX0848/B | IP68 B type USB, rear panel mounted. Sealed B type at front of panel, standard A type at rear. |

REAR PANEL MOUNTING CONNECTOR



- PX0849/A - USB 'A' type IP68 connector
- PX0849/B - USB 'B' type IP68 connector
- Leaded with 5 way header
- Mates with PX0840 and PX0841 cable connectors

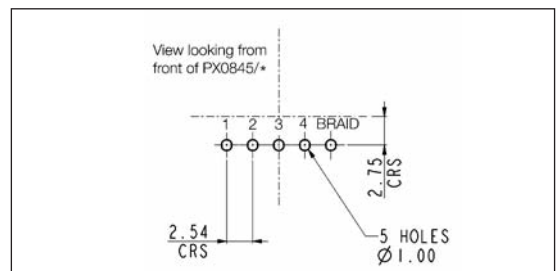
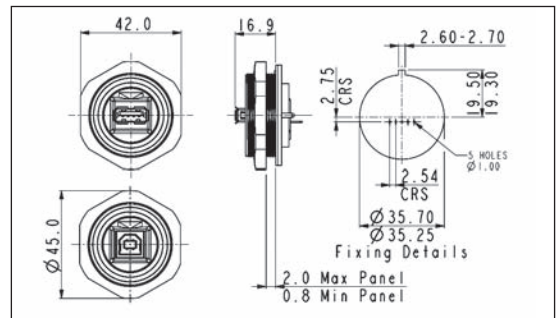


| Part No. | Description |
|----------|---|
| PX0849/A | IP68 A type USB, rear panel mounted. Sealed A type at front of panel, 5 way header at rear. |
| PX0849/B | IP68 B type USB, rear panel mounted. Sealed B type at front of panel, 5 way header at rear. |

REAR PANEL MOUNTING CONNECTOR - PCB DIRECT MOUNT



- PX0845/A - USB 'A' type IP68 connector
- PX0845/B - USB 'B' type IP68 connector
- PCB contacts at rear
- Direct PCB mount
- Mates with PX0840 and PX0841 cable connectors



| Part No. | Description |
|----------|--|
| PX0845/A | IP68 A type USB, rear panel mounted. Sealed A type at front of panel, direct mount PCB contacts at rear. |
| PX0845/B | IP68 B type USB, rear panel mounted. Sealed B type at front of panel, direct mount PCB contacts at rear. |

BUCCANEER DATA

USB Buccaneer®

PCB ADAPTOR LEADS



- Standard A and B type USB connectors to 5 way crimp adaptor leads
- 5 way headers, 2.54mm pitch, horizontal or vertical mounting

| Part No. | Description |
|----------|---------------------------------------|
| 14193 | USB 'A' type to 5 way crimp connector |
| 14194 | USB 'B' type to 5 way crimp connector |
| 14191 | 5 way PCB header straight |
| 14192 | 5 way PCB header right angle |

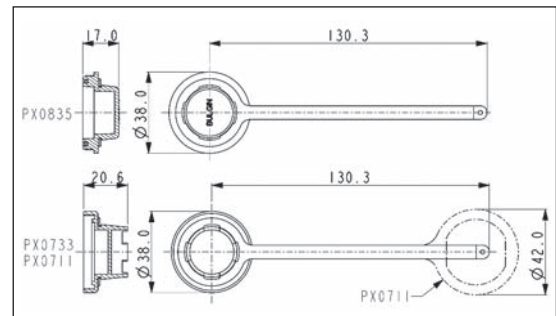


ACCESSORIES



- Sealing caps to maintain IP68 rating when connectors are not in use
- PX0835 for cable connectors PX0840 & PX0841
- PX0733 for front panel mount connectors PX0842, PX0843 & PX0844
- PX0711 for rear panel mount connectors PX0848, PX0849 & PX0845

| Part No. | Description |
|----------|--|
| PX0835 | Sealing Cap for cable connectors (PX0840, PX0841) |
| PX0733 | Sealing Cap for front panel mounting connector (PX0842, PX0843) |
| PX0711 | Sealing Cap for rear panel mounting connector (PX0848, PX0849, PX0845) |



USB FLASH DRIVE COVER



- For use with USB Flash Drives
- Maintains IP68 rating when mated with panel connector
- For use with 'A' type connectors: PX0842, PX0843, PX0845, PX0848 & PX0849
- Internal accommodation 17.5 x 14.0 x 83mm approx.



SCREENING CAN



- Maintains cable screening directly to panel
- Screening can clips around the panel fixing nut
- For use on PX0460/A and PX0460/B



BUCCANEER DATA

SPECIFICATION

Cables & connectors

Mechanical

Sealing IP68, EN60529
 Operating temperature 0°C to +70°C

Electrical

No. of poles 4
 Current rating 1A
 Voltage rating 30Vac (RMS)
 Contact resistance 30mΩ max.
 Performance USB version 2.0

Materials - Overmoulded

Overmould material PVC (black)
 Flammability rating UL94V-0

Materials - Re-wireable and Panel Connectors

Shell material Steel
 Shell plating Nickel
 Contact material Copper Alloy
 Contact plating 30 micro inch Gold
 Connector body & locking ring Polyester
 Panel connector Nylon 6
 Flammability rating UL94V-0
 'O' rings Silicon
 Panel Gasket - round Silicon
 Panel Gasket - square Neoprene
 Mating cycles 1,000
RoHS Compliant

Materials - cable

Cable Jacket PVC (black)
 Screen Tinned copper braid
 Flammability UL94V-0
RoHS Compliant

| Length: | Dia | Conductors | |
|---------|-------|------------|-----------|
| | | Signal | Power |
| 2m | 4.8mm | 2 x 28AWG | 2 x 24AWG |
| 3m | 5.0mm | 2 x 28AWG | 2 x 22AWG |
| 5m | 5.2mm | 2 x 25AWG | 2 x 20AWG |

PCB adaptor leads

Electrical

No. of conductors 4
 Current rating 1A
 Voltage rating 30Vac (RMS)
 Contact resistance <10mΩ max.
 PCB pitch 2.54mm

Materials

Moulding Polycarbonate
 Flammability UL94V-0
 Contact material Copper Alloy
 Contact plating 30 micro inch Gold
 Wire insulation PVC (black)
 Flammability UL94V-0
 Conductors 4 x 28AWG
 Operating temperature 0°C to +70°C
 Mating cycles 1,000
RoHS Compliant

Cable construction - PX0840, PX0841

