

14118 Stowe Drive, Suite B | Poway, CA 92064  
 TEL: (858) 621-2700 | FAX: (858) 486-1927  
 URL: [www.zcomm.com](http://www.zcomm.com)  
 EMAIL: [applications@zcomm.com](mailto:applications@zcomm.com)

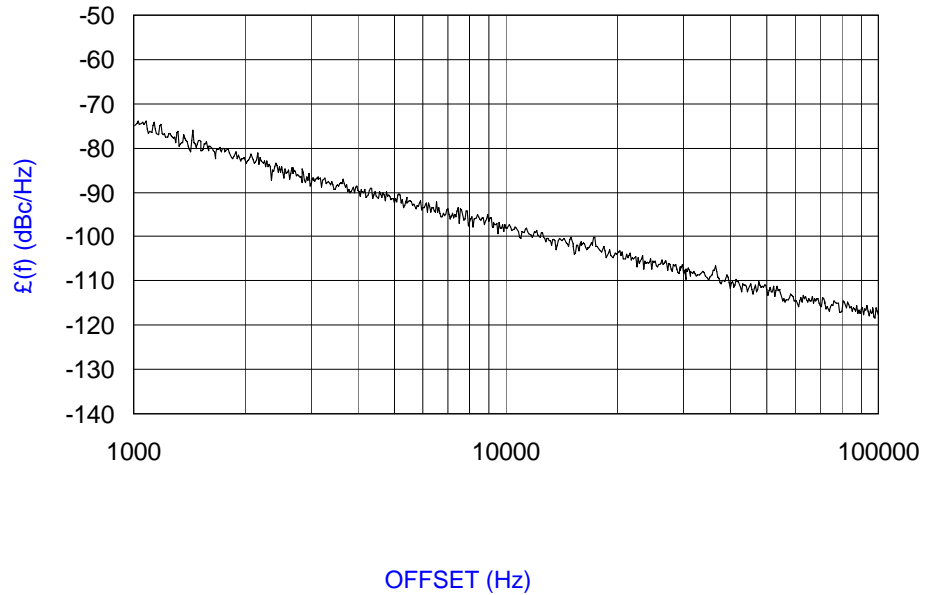
**Voltage-Controlled Oscillator  
 Surface Mount Module**

**Applications**

- Satellite Communications
- Test Instrumentation
- CATV Headend Equipment

**Application Notes**

- AN-101: Mounting and Grounding
- AN-102: Output Loading
- AN-107: Manual Soldering



**Performance Specifications**

|  | Min         | Typ | Max  | Units              |
|--|-------------|-----|------|--------------------|
| Oscillation Frequency Range            | 1150        |     | 1740 | MHz                |
| Phase Noise @ 10 kHz offset (1 Hz BW)  |             | -98 |      | dBc/Hz             |
| Harmonic Suppression (2nd)             |             | -14 |      | dBc                |
| Tuning Voltage                         | 0.5         |     | 19.5 | Vdc                |
| Tuning Sensitivity (avg.)              |             | 48  |      | MHz/V              |
| Power Output                           | 3           | 6   | 9    | dBm                |
| Load Impedance                         |             | 50  |      | $\Omega$           |
| Input Capacitance                      |             |     | 50   | pF                 |
| Pushing                                |             |     | 5    | MHz/V              |
| Pulling (14 dB Return Loss, Any Phase) |             |     | 10   | MHz                |
| Operating Temperature Range            | -40         |     | 85   | $^{\circ}\text{C}$ |
| Package Style                          | MINI-14S-UL |     |      |                    |

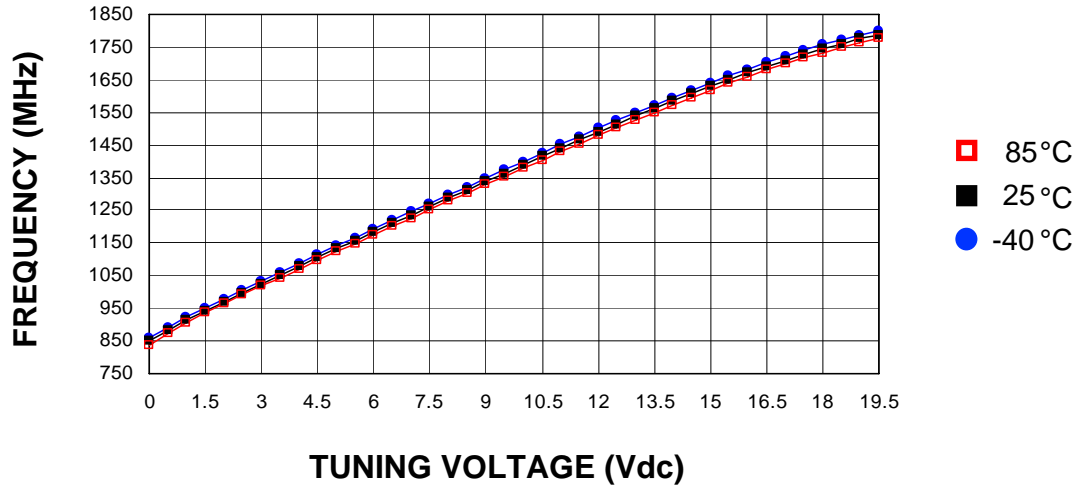
**Power Supply Requirements**

|                            | Min | Typ | Max | Units |
|----------------------------|-----|-----|-----|-------|
| Supply Voltage (Vcc, nom.) |     | 8   |     | Vdc   |
| Supply Current (Icc)       |     | 15  | 18  | mA    |

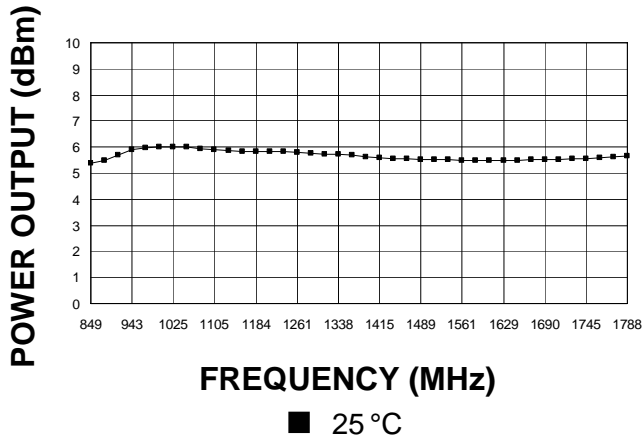
**Additional Notes**

LFSuffix = RoHS Compliant. All specifications are subject to change without notice.

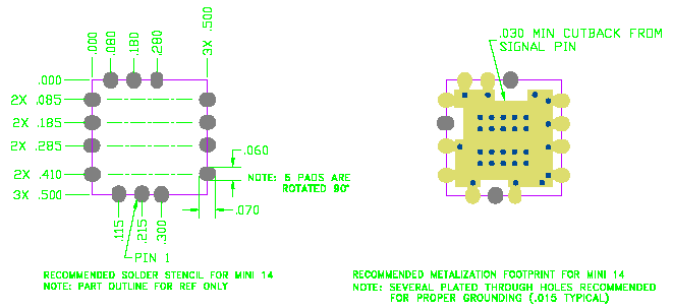
Tuning Curve, typ.



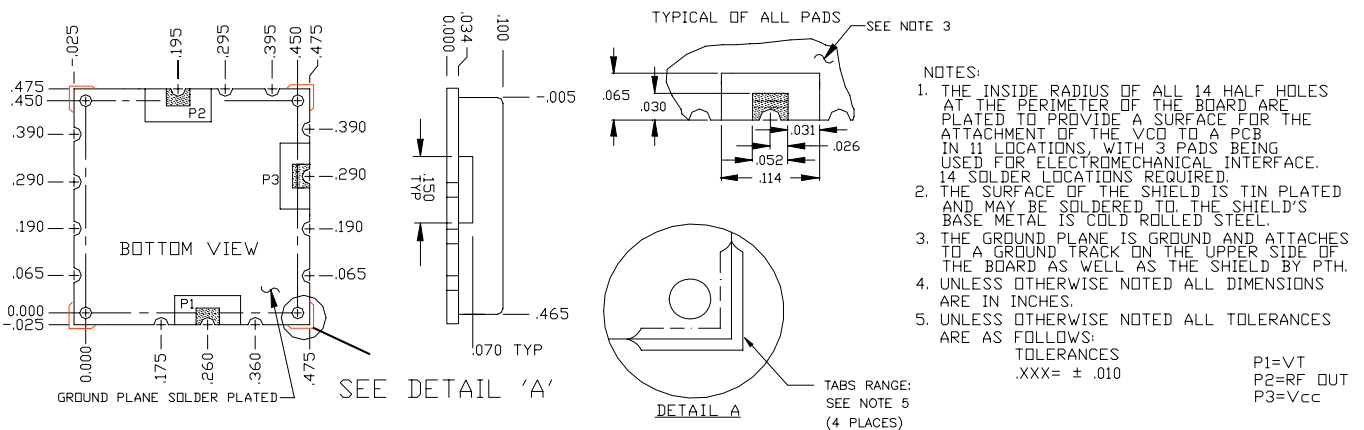
Power Curve, typ.



Footprint



Physical Dimensions



LFSuffix = RoHS Compliant. All specifications are subject to change without notice.