

PLEASE CHECK WWW.MOLEX.COM FOR LATEST PART INFORMATION

Part Number: [0428920087](#)
Status: **Active**
Description: 3.96mm (.156") Pitch KK® Solid Header, Right Angle, Friction Lock, with Snap-in Plastic Peg PCB Lock, 9 Circuits, 0.38µm (15µ") Gold (Au) Selective Plating

Documents:

Packaging Specification (PDF)	Packaging Specification (PDF)
3D Model	Product Specification PS-08-50 (PDF)
Drawing (PDF)	RoHS Certificate of Compliance (PDF)

General

Product Family	PCB Headers
Series	42892
Application	Wire-to-Board
Product Name	KK®

Physical

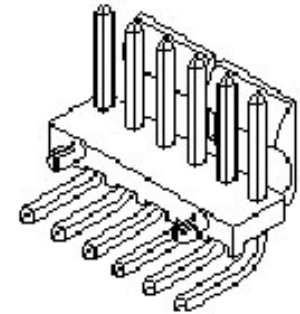
Breakaway	No
Circuits (Loaded)	9
Circuits (maximum)	9
Durability (mating cycles max)	100
Flammability	94V-0
Glow-Wire Compliant	No
Lock to Mating Part	Yes
Material - Metal	Brass
Material - Plating Mating	Gold
Material - Plating Termination	Tin
Number of Rows	1
Orientation	Right Angle
PC Tail Length (in)	0.130 In
PC Tail Length (mm)	3.30 mm
PCB Locator	Yes
PCB Retention	Yes
PCB Thickness Recommended (in)	0.062 In
PCB Thickness Recommended (mm)	1.60 mm
Packaging Type	Bag
Pitch - Mating Interface (in)	0.156 In
Pitch - Mating Interface (mm)	3.96 mm
Plating min: Mating (µin)	15
Plating min: Mating (µm)	0.38
Plating min: Termination (µin)	100
Plating min: Termination (µm)	2.5
Polarized to Mating Part	Yes
Polarized to PCB	Yes
Shrouded	Partial
Stackable	Yes
Temperature Range - Operating	0°C to +75°C
Termination Interface: Style	Through Hole

Electrical

CSA	LR19980
Current - Maximum	7A
UL	E29179
Voltage - Maximum	250V

Material Info

Reference - Drawing Numbers



Series image - Reference only

EU RoHS

**ELV and RoHS
Compliant**

REACH SVHC

**Contains SVHC: No
Halogen-Free**

Status

Not Reviewed

China RoHS



**Need more information on product
environmental compliance?**

Email productcompliance@molex.com
Please visit the [Contact Us](#) section for any non-product compliance questions.

Duration at Max.	5
Process Temperature (seconds)	
Lead-free Process Capability	Wave Capable (TH only)
Max. Cycles at Max.	1
Process Temperature	
Process Temperature max. C	235

Search Parts in this Series

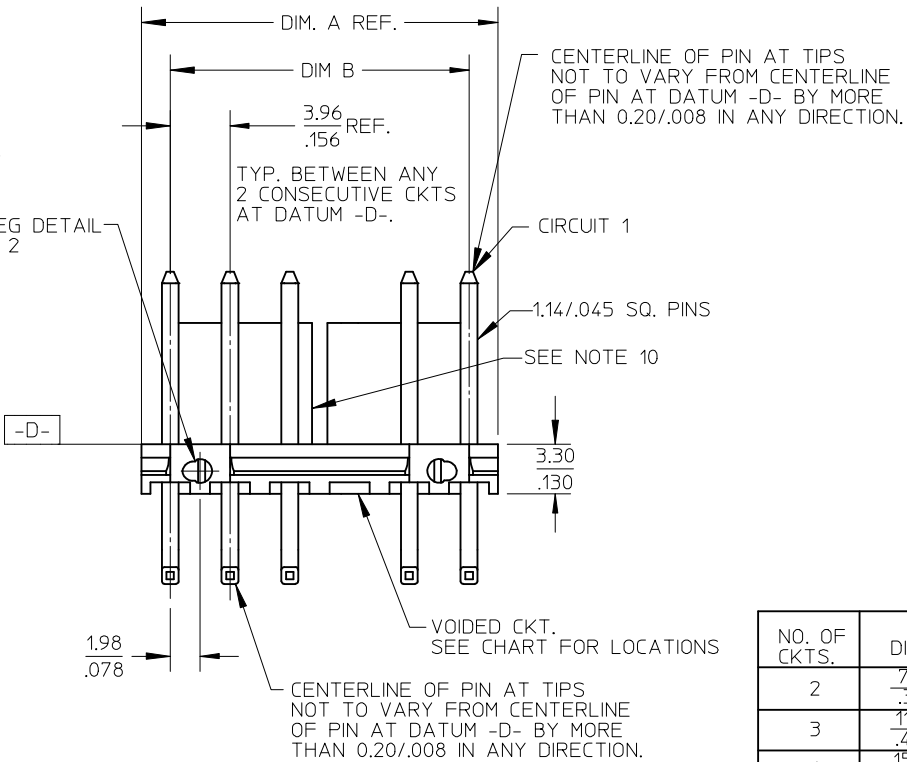
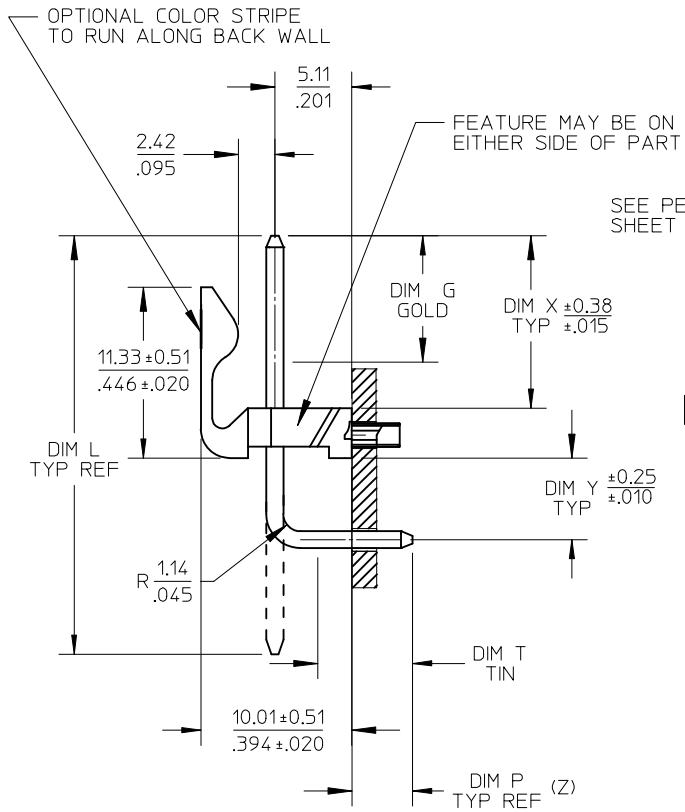
[42892 Series](#)

Mates With

[3069](#) , [2139](#) , [2145](#) , [6442](#) , [7674](#) , [7675](#) , [41695](#) , L ink:41815

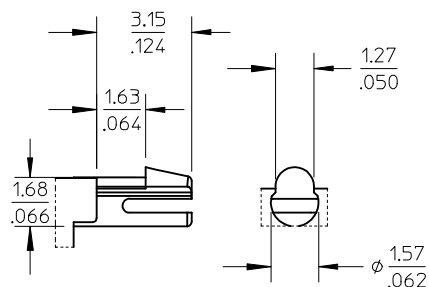
This document was generated on 11/05/2009

PLEASE CHECK WWW.MOLEX.COM FOR LATEST PART INFORMATION

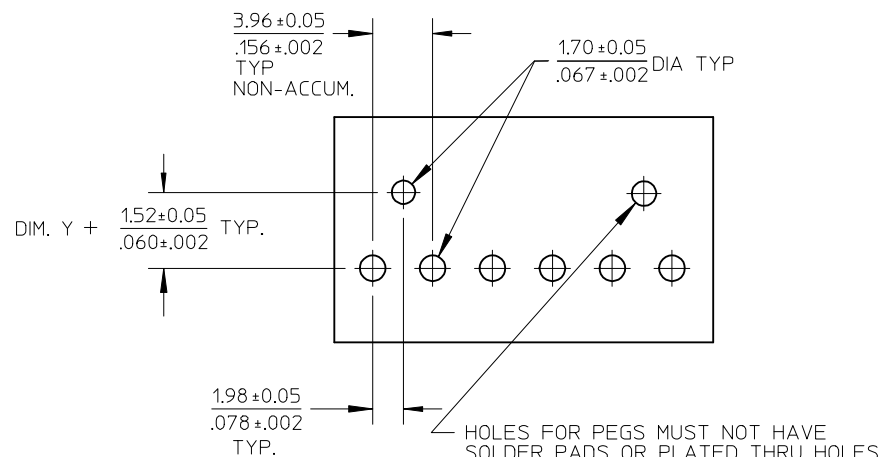


NO. OF CKTS.	DIM. A	DIM. B	SLOT LOC BETWEEN CKTS
2	7.77 .306	3.96±0.05 .156±.002	NONE
3	11.73 .462	7.92±0.08 .312±.003	NONE
4	15.70 .618	11.89±0.08 .468±.003	NONE
5	19.66 .774	15.85±0.10 .624±.004	NONE
6	23.62 .930	19.81±0.10 .780±.004	3 & 4
7	27.58 1.086	23.77±0.10 .936±.004	4 & 5
8	31.55 1.242	27.74±0.13 1.092±.005	4 & 5
9	35.51 1.398	31.70±0.13 1.248±.005	5 & 6
10	39.47 1.554	35.66±0.13 1.404±.005	5 & 6
11	43.43 1.710	39.62±0.15 1.560±.006	6 & 7
12	47.40 1.866	43.59±0.15 1.716±.006	4 & 5 8 & 9

ADD SLOT EC NO: UCP2009-2603 DRWN:MK IPPER 2009/05/04 CH'KD:SSOUSEK 2009/05/04 APPR:FSM TH 2009/05/04	QUALITY SYMBOLS ▽=0 ▽=0	GENERAL TOLERANCES (UNLESS SPECIFIED)		DIMENSION STYLE MM/IN		SCALE 2:1	DESIGN UNITS INCH	THIRD ANGLE PROJECTION		
			mm	INCH	DRAWN BY SCHAFER	DATE 12-12-03	TITLE FRICITION LOCK HDR. ASSY. .156 BENT SQ PINS W/PEGS RT. ANGLE MOUNT			
		4 PLACES ± ---	± ---	± ---	CHECKED BY SAMIEC	DATE 12-15-03				
		3 PLACES ± ---	± .010	± .015	APPROVED BY MARGULIS	DATE 12-19-03	MOLEX MOLEX INCORPORATED		SHEET NO. 1 OF 2	
2 PLACES ± 0.25	± .015	± ---	MATERIAL NO. SEE CHART		DOCUMENT NO. SD-42892-001					
1 PLACE ± 0.38	± ---		DRAFT WHERE APPLICABLE MUST REMAIN WITHIN DIMENSIONS		THIS DRAWING CONTAINS INFORMATION THAT IS PROPRIETARY TO MOLEX INCORPORATED AND SHOULD NOT BE USED WITHOUT WRITTEN PERMISSION					



PEG DETAIL

RECOMMENDED PC BOARD HOLE LAYOUT:
COMPONENT SIDE FOR 1.57/.062 THICK PCBFOR CORRECT ORIENTATION OF PARTS WITH
VOIDS, ELIMINATE CORRESPONDING PCB HOLE.

NOTES:

- MATERIAL: HEADER-GLASS FILLED POLYESTER, 94V-0, MOLDED NATURAL WHITE PINS: BRASS
- FINISHES: (102) OVERALL TIN: 0.00508/.000200 OVER 0.00254/.000100 COPPER
(208) SELECT GOLD: 0.00038/.000015
*SELECT TIN: 0.00254/.000100
OVERALL NICKEL UNDERPLATE: 0.00127/.000050
(228) SELECT GOLD: 0.00076/.000030
*SELECT TIN: 0.00254/.000100
OVERALL NICKEL UNDERPLATE: 0.00127/.000050
(501) OVERALL GOLD: 0.00051/.000020
OVERALL NICKEL UNDERPLATE: 0.00076/.000030
- PRODUCT SPECIFICATION: SEE PS-08-50.
- PACKAGING INFO: SEE TABLES
- SOLDERABILITY: PER SMES-152
- PIN PUSH OUT FORCE: PRIOR TO SOLDERING, A 3 LB MINIMUM FORCE (IN EITHER DIRECTION) SHALL BE REQUIRED TO PUSH THE PIN OUT OF THE HEADER.
- PARTS ARE STACKABLE END TO END ON (3.96)/.156 CENTERS.
- FOR PART WITHOUT PEGS SEE DWG. NO. SDA-41792.
- THIS PART CONFORMS TO CLASS B REQUIREMENTS OF COSMETIC SPECIFICATION PS-45499-002.
- SLOTS ON BACKWALL ARE BETWEEN CIRCUITS. SEE CHART FOR LOCATION.

SEE SHEET 1 EC NO: UCP2009-2603 DRWN:MKIPPER 2009/05/01 CHKD:SSOUSEK 2009/05/04 APPR:FSM/TH 2009/05/04 G3	DESCRIPTION REV	QUALITY SYMBOLS	GENERAL TOLERANCES (UNLESS SPECIFIED)		DIMENSION STYLE		SCALE	DESIGN UNITS	THIRD ANGLE PROJECTION	
		$\blacktriangledown=0$ $\sphericalangle=0$	mm	INCH	MM/IN	2:1	INCH			
		4 PLACES	± ---	± ---	DRAWN BY	DATE	TITLE		FRICITION LOCK HDR. ASSY. .156 BENT SQ PINS W/PEGS RT. ANGLE MOUNT	
		3 PLACES	± ---	± .010	SCHAFFER	12-12-03				
2 PLACES	± 0.25	± .015	CHECKED BY	DATE	MOLEX INCORPORATED		DOCUMENT NO. SD-42892-001			
1 PLACE	± 0.38	± ---	SAMIEC	12-15-03						
ANGULAR ±1/2°			APPROVED BY	DATE	MATERIAL NO. SEE CHART		SHEET NO. 2 OF 2			
DRAFT WHERE APPLICABLE MUST REMAIN WITHIN DIMENSIONS			MARGULIS	12-19-03						
		SIZE	THIS DRAWING CONTAINS INFORMATION THAT IS PROPRIETARY TO MOLEX INCORPORATED AND SHOULD NOT BE USED WITHOUT WRITTEN PERMISSION							

OPTIONS	Group	A-42892-0002/0018	Group	A-42892-0080/0096	Group	A-42892-0097/0113	Group	A-42892-0019/0035
	Header No:	41790-0070/0086	Header No:	41790-0070/0086	Header No:	41790-0070/0086	Header No:	41790-0070/0086
	Pin No:	2161-62(102)	Pin No:	43294-0452	Pin No:	43290-0453	Pin No:	2161-62(501)
	Plating:	102	Plating:	208	Plating:	228	Plating:	501
	Pin Length L	24.89/ .980	Pin Length L	24.89/ .980	Pin Length L	24.89/ .980	Pin Length L	24.89/ .980
	Mating M	11.43/ .450	Mating M	11.43/ .450	Mating M	11.43/ .450	Mating M	11.43/.450
	Gold Loc G	N/A	Gold Loc G	6.86/ .270	Gold Loc G	6.86/ .270	Gold Loc G	OVERALL
	Dim. Y	2.82/ .111	Dim. Y	2.82/ .111	Dim. Y	2.82/ .111	Dim. Y	2.82/ .111
	PC Tail P	3.30/ .130	PC Tail P	3.30/ .130	PC Tail P	3.30/ .130	PC Tail P	3.30/ .130
	Tin Loc T	OVERALL	Tin Loc T	4.06/ .160	Tin Loc T	4.06/ .160	Tin Loc T	N/A
Voided Ckts	NONE	Voided Ckts	NONE	Voided CKts	NONE	Voided Ckts	NONE	
Pack Per	PK-42492-002	Pack Per	PK-42492-002	Pack Per	PK-42492-002	Pack Per	PK-42492-002	
Ckts	Material No	Engineer Number	Material No	Engineer Number	Material No	Engineer Number	Material No	Engineer Number
2	26-60-7020	A-42892-0002	42892-0080	A-42892-0080	42892-0097	A-42892-0097	26-60-7021	A-42892-0019
3	26-60-7030	A-42892-0003	42892-0081	A-42892-0081	42892-0098	A-42892-0098	26-60-7031	A-42892-0020
4	26-60-7040	A-42892-0004	42892-0082	A-42892-0082	42892-0099	A-42892-0099	26-60-7041	A-42892-0021
5	26-60-7050	A-42892-0005	42892-0083	A-42892-0083	42892-0100	A-42892-0100	26-60-7051	A-42892-0022
6	26-60-7060	A-42892-0006	42892-0084	A-42892-0084	42892-0101	A-42892-0101	26-60-7061	A-42892-0023
7	26-60-7070	A-42892-0007	42892-0085	A-42892-0085	42892-0102	A-42892-0102	26-60-7071	A-42892-0024
8	26-60-7080	A-42892-0008	42892-0086	A-42892-0086	42892-0103	A-42892-0103	26-60-7081	A-42892-0025
9	26-60-7090	A-42892-0009	42892-0087	A-42892-0087	42892-0104	A-42892-0104	26-60-7091	A-42892-0026
10	26-60-7100	A-42892-0010	42892-0088	A-42892-0088	42892-0105	A-42892-0105	26-60-7101	A-42892-0027
11	26-60-7110	A-42892-0011	42892-0089	A-42892-0089	42892-0106	A-42892-0106	26-60-7111	A-42892-0028
12	26-60-7120	A-42892-0012	42892-0090	A-42892-0090	42892-0107	A-42892-0107	26-60-7121	A-42892-0029

G2	REV:	<u>ECR/ECN INFORMATION</u>	<u>TITLE:</u>	FRICION LOCK HDR. ASSY. .156 BENT SQ PINS W/PEGS RT. ANGLE MOUNT	<u>SHEET No.</u>
		EC NO: UCP2008-0727			- 3 -
		DATE 10/8/2007			
<u>DOCUMENT NUMBER:</u>		<u>CREATED / REVISED BY:</u>	<u>CHECKED BY:</u>	<u>APPROVED BY:</u>	
SD-42892-001		ADERR	ADERR	FSMITH	

OPTIONS	Group	A-42892-0036/0052	Group	A-42892-0053/0067	Group	A-42892-0068/0079	Group	A-42892-0114/0118
	Header No:	41790-0070/0086	Header No:	41790-0070/0086	Header No:	41790-0070/0086	Header No:	41790-0070/0086
	Pin No:	2161-62(102)	Pin No:	2161-62(102)	Pin No:	2161-62(102)	Pin No:	2161-62(102)
	Plating:	102	Plating:	102	Plating:	102	Plating:	102
	Pin Length L	24.89/ .980	Pin Length L	24.89/ .980	Pin Length L	24.89/ .980	Pin Length L	24.89/ .980
	Mating M	11.43/ .450	Mating M	11.43/ .450	Mating M	11.43/ .450	Mating M	11.43/ .450
	Gold Loc G	N/A	Gold Loc G	N/A	Gold Loc G	N/A	Gold Loc G	N/A
	Dim. Y	2.82/ .111	Dim. Y	2.82/ .111	Dim. Y	2.82/ .111	Dim. Y	2.82/ .111
	PC Tail P	3.30/ .130	PC Tail P	3.30/ .130	PC Tail P	3.30/ .130	PC Tail P	3.30/ .130
	Tin Loc T	OVERALL	Tin Loc T	OVERALL	Tin Loc T	OVERALL	Tin Loc T	OVERALL
Voided Ckts	2	Voided Ckts	4	Voided CKts	7	Voided Ckts	2, 4, 6, 8, 10, 14	
Pack Per	PK-42492-002	Pack Per	PK-42492-002	Pack Per	PK-42492-002	Pack Per	PK-42492-002	
Ckts	Material No	Engineer Number	Material No	Engineer Number	Material No	Engineer Number	Material No	Engineer Number
2	26-62-7020	A-42892-0036						
3	26-62-7030	A-42892-0037						
4	26-62-7040	A-42892-0038	26-62-7041	A-42892-0053				
5	26-62-7050	A-42892-0039	26-62-7051	A-42892-0054				
6	26-62-7060	A-42892-0040	26-62-7061	A-42892-0055				
7	26-62-7070	A-42892-0041	26-62-7071	A-42892-0056	26-62-7072	A-42892-0068		
8	26-62-7080	A-42892-0042	26-62-7081	A-42892-0057	26-62-7082	A-42892-0069		
9	26-62-7090	A-42892-0043	26-62-7091	A-42892-0058	26-62-7092	A-42892-0070		
10	26-62-7100	A-42892-0044	26-62-7101	A-42892-0059	26-62-7102	A-42892-0071		
11	26-62-7110	A-42892-0045	26-62-7111	A-42892-0060	26-62-7112	A-42892-0072		
12	26-62-7120	A-42892-0046	26-62-7121	A-42892-0061	26-62-7122	A-42892-0073		

G2	REV:	<u>ECR/ECN INFORMATION</u>	TITLE:	FRICITION LOCK HDR. ASSY. .156 BENT SQ PINS W/PEGS RT. ANGLE MOUNT	SHEET No.
		EC NO: UCP2008-0727			- 4 -
		DATE 10/8/2007			
<u>DOCUMENT NUMBER:</u> SD-42892-001			<u>CREATED / REVISED BY:</u> ADERR	<u>CHECKED BY:</u> ADERR	<u>APPROVED BY:</u> FSMITH

OPTIONS	Group	A-42892-0119/0133	Group		Group		Group	
	Header No:	41790-0070/0086	Header No:		Header No:		Header No:	
	Pin No:	2161-62(102)	Pin No:		Pin No:		Pin No:	
	Plating:	102	Plating:		Plating:		Plating:	
	Pin Length L	24.89/ .980	Pin Length L		Pin Length L		Pin Length L	
	Mating M	11.43/ .450	Mating M		Mating M		Mating M	
	Gold Loc G	N/A	Gold Loc G		Gold Loc G		Gold Loc G	
	Dim. Y	2.82/ .111	Dim. Y		Dim. Y		Dim. Y	
	PC Tail P	3.30/ .130	PC Tail P		PC Tail P		PC Tail P	
	Tin Loc T	OVERALL	Tin Loc T		Tin Loc T		Tin Loc T	
	Voided Ckts	2, 4	Voided Ckts		Voided CKts		Voided Ckts	
	Pack Per	PK-42492-002	Pack Per		Pack Per		Pack Per	
Ckts	Material No	Engineer Number	Material No	Engineer Number	Material No	Engineer Number	Material No	Engineer Number
2								
3								
4	42892-0119	A-42892-0119						
5	42892-0120	A-42892-0120						
6	42892-0121	A-42892-0121						
7	42892-0122	A-42892-0122						
8	42892-0123	A-42892-0123						
9	42892-0124	A-42892-0124						
10	42892-0125	A-42892-0125						
11	42892-0126	A-42892-0126						
12	42892-0127	A-42892-0127						

G2	REV:	<u>ECR/ECN INFORMATION</u>	FRICITION LOCK HDR. ASSY. .156 BENT SQ PINS W/PEGS RT. ANGLE MOUNT	<u>SHEET No.</u> - 5 -
		EC NO: UCP2008-0727		
		DATE 10/8/2007		
<u>DOCUMENT NUMBER:</u> SD-42892-001		<u>CREATED / REVISED BY:</u> ADERR	<u>CHECKED BY:</u> ADERR	<u>APPROVED BY:</u> FSMITH