

**PLEASE CHECK WWW.MOLEX.COM FOR LATEST PART INFORMATION**

**Part Number:** [0504097725](#)  
**Status:** **Active**  
**Description:** Ring Tongue Terminal for 400MCM AWG, Closed Uninsulated Brazed Barrel, Stud Size 1/2" (M12), Oxygen-Free Copper, Length 78.00mm (3.071")

**Documents:**

[Drawing \(PDF\)](#) [RoHS Certificate of Compliance \(PDF\)](#)  
[Product Specification PS-50409-001 \(PDF\)](#)

**General**

Product Family	Ring and Spade Terminals
Series	<a href="#">50409</a>
Crimp Quality Equipment	Yes
Mil-Spec	N/A
Product Name	R (Ring)
Type	Ring

**Physical**

Barrel Type	Closed - Brazed
Insulation	None
Material - Plating Mating	Tin
Packaging Type	Bag
Stud Size	1/2" (M12)
Wire Size AWG	400MCM
Wire Size mm <sup>2</sup>	192.6 - 242.27

**Material Info**

**Reference - Drawing Numbers**

Product Specification	PS-50409-001
Sales Drawing	SD-50409-001



Series

image - Reference only

**EU RoHS**

**ELV and RoHS Compliant**  
**REACH SVHC**  
 Not Reviewed  
**Halogen-Free Status**  
 Not Reviewed

**China RoHS**



**Need more information on product environmental compliance?**

Email [productcompliance@molex.com](mailto:productcompliance@molex.com)  
 For a multiple part number RoHS Certificate of Compliance, [click here](#)

Please visit the [Contact Us](#) section for any non-product compliance questions.

**Search Parts in this Series**

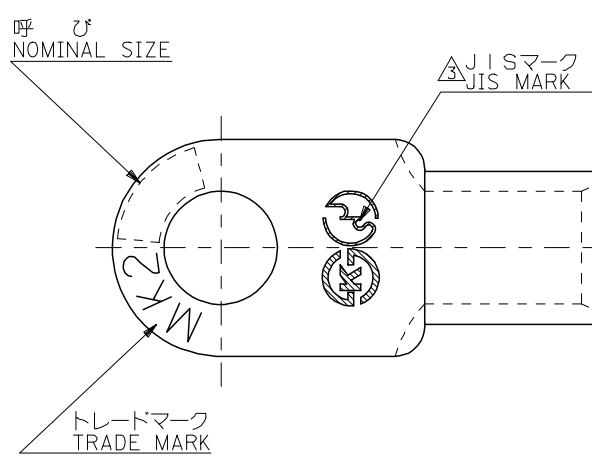
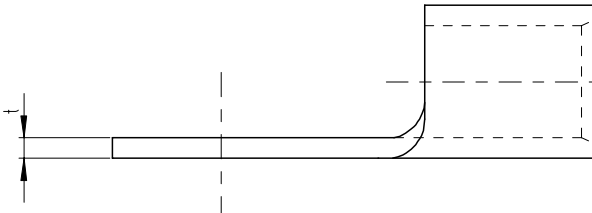
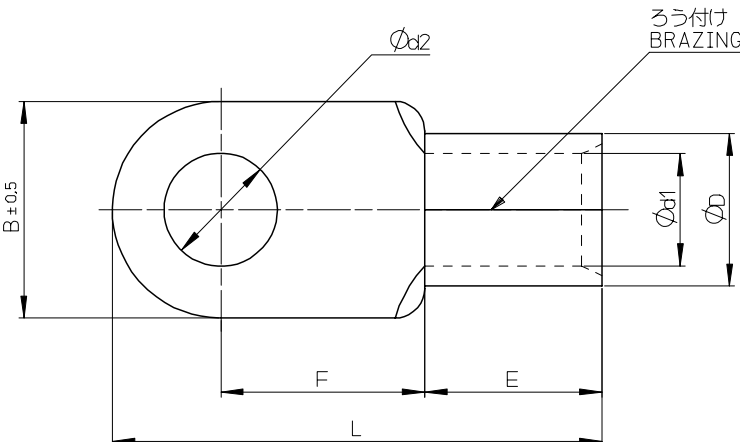
[50409Series](#)

**Application Tooling | [FAQ](#)**

*Tooling specifications and manuals are found by selecting the products below. Crimp Height Specifications are then contained in the Application Tooling Specification document.*

**Japan**

Description	Product #
Tool Kit For 57343-9012	<a href="#">0573439001</a>



注記 NOTES

1 材質 MATERIAL  
 端子：無酸素銅、錫めっき  
 TERMINAL: OXYGEN-FREE COPPER, TIN PLATING  
 ろう付け部：銀ろう  
 PART OF BRAZING : SILVER SOLDER

2 適用電線 APPLICABLE WIRE RANGE

単線 SOLID WIRE	撚線 STRANDED WIRE
15.6-17.5 mm	192.6-242.27 mm <sup>2</sup>

⚠ JIS認定品にのみ刻印。  
 DIE STAMPED MARK IS ALLOWED ONLY  
 FOR JIS FILED PRODUCTS.

JIS	3.9 MN	28 <sup>+0.5</sup> <sub>0</sub>	94 MAX	34.5 MN	30.5 MN	24 ±0.6	32.7 <sup>+0.9</sup> <sub>-0.6</sub>	44	200	27	50409-7926
		25 <sup>+0.5</sup> <sub>0</sub>		32.5 MN						24	50409-7826
		23 <sup>+0.5</sup> <sub>0</sub>		30 MN						22	50409-7726
		21 <sup>+0.5</sup> <sub>0</sub>		27 MN						20	50409-7626
		19 <sup>+0.5</sup> <sub>0</sub>		24.5 MN					18	50409-7526	
	4 <sup>+0.22</sup> <sub>-0.1</sub>	17 <sup>+0.5</sup> <sub>-0.1</sub>	91 ±12	37.5 ±1.1	31.5 ±1	24 <sup>+0.7</sup> <sub>-0.6</sub>	32.7 <sup>+0.9</sup> <sub>-0.7</sub>			L16	50409-7426
		15 <sup>+0.5</sup> <sub>-0.1</sub>								L14	50409-7326
		13 <sup>+0.5</sup> <sub>-0.1</sub>								L12	50409-7226
		10.5 <sup>+0.5</sup> <sub>-0.1</sub>								L10	50409-7126
		8.4 <sup>+0.5</sup> <sub>-0.1</sub>							L8	50409-7026	
JIS	3.9 MN	17 <sup>+0.5</sup> <sub>0</sub>	94 MAX	22.5 MN	30.5 MN	24 ±0.6	32.7 <sup>+0.9</sup> <sub>-0.6</sub>			16	50409-7925
		15 <sup>+0.5</sup> <sub>0</sub>		21 MN						14	50409-7825
		13 <sup>+0.5</sup> <sub>0</sub>		19.5 MN						12	50409-7725
	4 <sup>+0.22</sup> <sub>-0.1</sub>	10.5 <sup>+0.5</sup> <sub>-0.1</sub>	78 ±12							10	50409-7625
		17 <sup>+0.5</sup> <sub>-0.1</sub>								S16	50409-7525
		15 <sup>+0.5</sup> <sub>-0.1</sub>								S14	50409-7425
		13 <sup>+0.5</sup> <sub>-0.1</sub>								S12	50409-7325
		11.5 <sup>+0.5</sup> <sub>-0.1</sub>								S11	50409-7225
		10.5 <sup>+0.5</sup> <sub>-0.1</sub>								S10	50409-7125
		8.4 <sup>+0.5</sup> <sub>-0.1</sub>							S8	50409-7025	

REVISED EC NO: J2007-0312 DR: N. H. YAJIMA 2007/05/17 CHK: K. KASAHARA 2007/05/18 APP: N. KUKITA 2007/05/18	GENERAL TOLERANCES (UNLESS SPECIFIED)		DIMENSION STYLE MM ONLY		SCALE ---	DESIGN UNITS METRIC	THIRD ANGLE PROJECTION	
	10 UNDER	± ---	DRAWN BY H. IJIMA	DATE '98/02/27	TITLE RING TERMINAL NON-INSULATED CRIMPSTYLE TERM FOR CU CONDUCTORS			
	10 OVER 30 UNDER	± ---	CHECKED BY M. FUKUSHIMA	DATE '98/03/03	MOLEX INCORPORATED			
	30 OVER	± ---	APPROVED BY M. FUKUSHIMA	DATE '98/03/03	MATERIAL NO. SEE CHART			
	ANGULAR ± --- °	DRAFT WHERE APPLICABLE MUST REMAIN WITHIN DIMENSIONS		DOCUMENT NO. SD-50409-001		SHEET NO. 1 OF 1		
		THIS DRAWING CONTAINS INFORMATION THAT IS PROPRIETARY TO MOLEX INCORPORATED AND SHOULD NOT BE USED WITHOUT WRITTEN PERMISSION						