

**CURRENT MODE PWM CONTROLLER**

**AP384XC**

**General Description**

The AP3842C/3C/4C/5C are high performance fixed frequency current-mode PWM controller series.

These integrated circuits are optimized for off-line and DC-DC converter applications with minimum external components. They feature under-voltage lockout (UVLO) circuit with low start-up current, trimmed oscillator for precise duty cycle control, current sense comparator providing maximum current limiting and a totem pole output stage for increasing output current. In addition, these ICs also feature accurate protection against over-temperature, over-current and maximal output power.

The AP3842C and AP3844C have UVLO thresholds of 16V(on) and 10V(off); The corresponding thresholds for AP3843C and AP3845C are 8.4 V(on) and 7.6V(off).

The AP3842C and AP3843C can operate approaching 100% duty cycle; AP3844C and AP3845C can operate from zero to 50% duty cycle.

These ICs are available in SOIC-8 and DIP-8 packages.

**Features**

- Low Start-up Current: 50μA
- Robust  $V_{REF}$  Line/Load Regulation  
Low Line Regulation : 4mV  
Low Load Regulation : 4mV
- High Stability of Reference Voltage over a Full Temperature Range: 0.2mV/ °C
- Operating Frequency up to 500KHz
- High PWM Frequency Stability over a Full Temperature Range: 2.5%
- High PWM Frequency Stability under a Full Supply Voltage Range: 0.2%
- Accurate Over-temperature Protection with Hysteresis
- UVLO with Hysteresis

**Applications**

- Off-line Converter
- DC-DC Converter
- Voltage Adapter
- CRT Monitor Power Supply
- Desktop Power Supply
- DVD/STB Power Supply

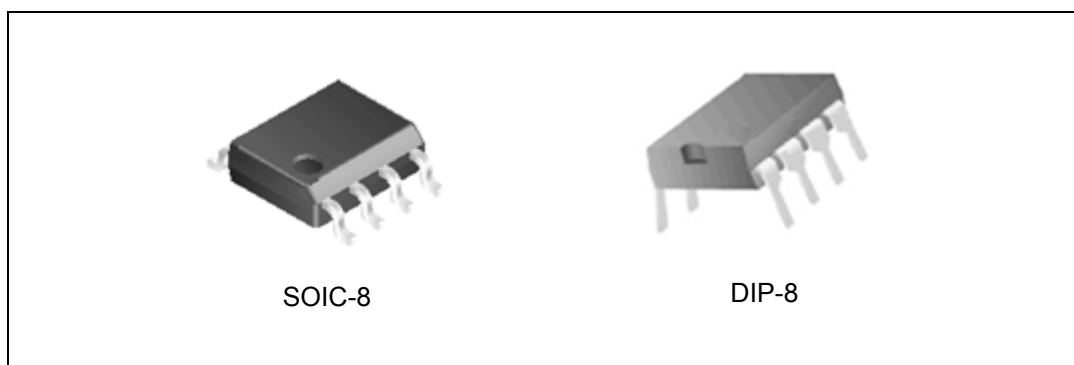


Figure 1. Package Types of AP3842C/3C/4C/5C

**CURRENT MODE PWM CONTROLLER**

**AP384XC**

**Pin Configuration**

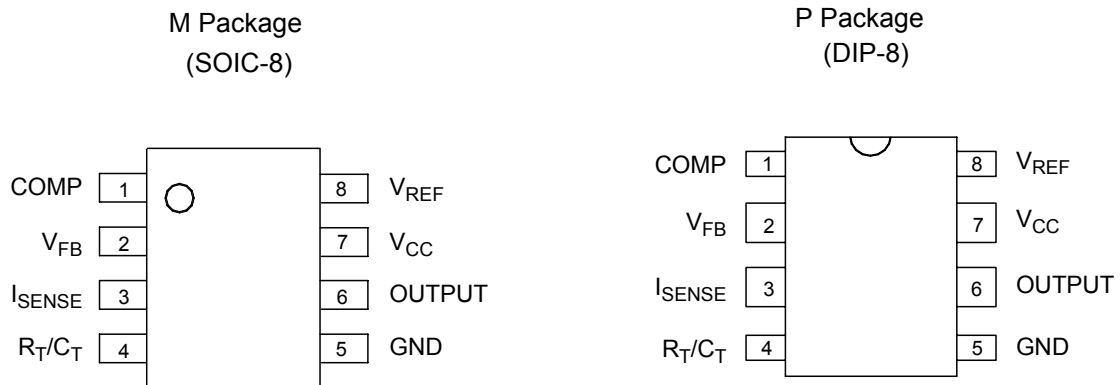


Figure 2. Pin Configuration of AP3842C/3C/4C/5C (Top View)

**Pin Description**

Pin Number	Pin Name	Function
1	COMP	This pin is the Error Amplifier output and is made available for loop compensation.
2	V <sub>FB</sub>	The inverting input of the Error Amplifier. It is normally connected to the switching power supply output through a resistor divider.
3	I <sub>SENSE</sub>	A voltage proportional to inductor current is connected to this input. The PWM uses this information to terminate the output switch conduction.
4	R <sub>T</sub> /C <sub>T</sub>	The Oscillator frequency and maximum output duty cycle are programmed by connecting resistor R <sub>T</sub> to V <sub>REF</sub> and capacitor C <sub>T</sub> to ground. Operation to 500 kHz is possible.
5	GND	The combined control circuitry and power ground.
6	OUTPUT	This output directly drives the gate of a power MOSFET. Peak currents up to 1.0 A are sourced and sunk by this pin.
7	V <sub>CC</sub>	The positive supply of the control IC.
8	V <sub>REF</sub>	This is the reference output. It provides charging current for capacitor C <sub>T</sub> through resistor R <sub>T</sub> .



**CURRENT MODE PWM CONTROLLER**

**AP384XC**

**Functional Block Diagram**

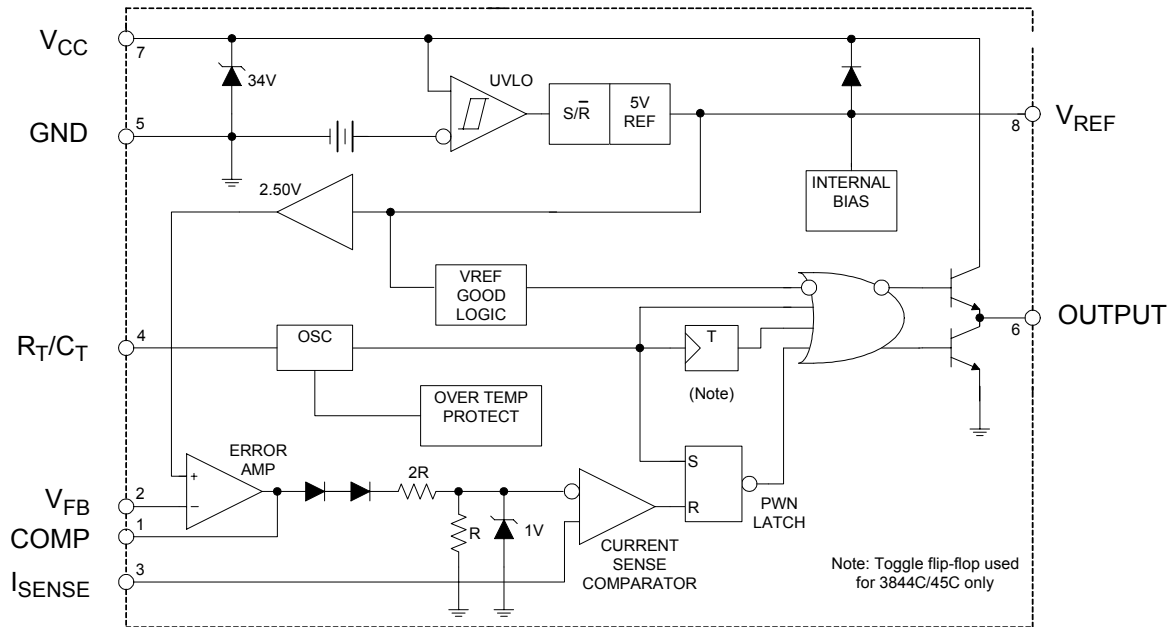


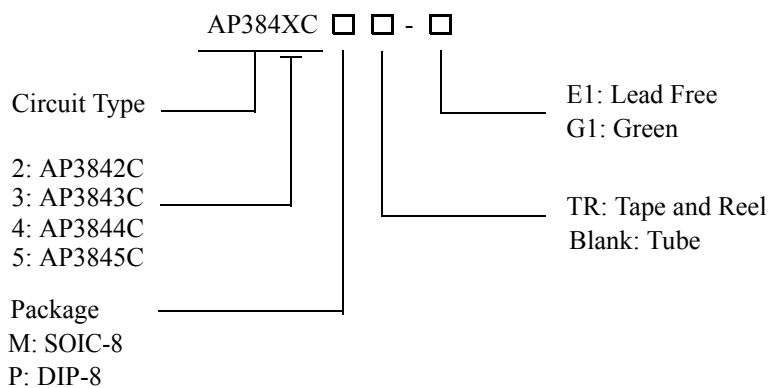
Figure 3. Functional Block Diagram of AP3842C/3C/4C/5C



**CURRENT MODE PWM CONTROLLER**

**AP384XC**

**Ordering Information**



Package	Temperature Range	Part Number		Marking ID		Packing Type
		Lead Free	Green	Lead Free	Green	
SOIC-8	-40 to 85°C	AP3842/3/4/5CM-E1	AP3842/3/4/5CM-G1	3842/3/4/5CM-E1	3842/3/4/5CM-G1	Tube
		AP3842/3/4/5CMTR-E1	AP3842/3/4/5CMTR-G1	3842/3/4/5CM-E1	3842/3/4/5CM-G1	Tape & Reel
DIP-8		AP3842/3/4/5CP-E1	AP3842/3/4/5CP-G1	AP3842/3/4/5CP-E1	AP3842/3/4/5CP-G1	Tube

BCD Semiconductor's Pb-free products, as designated with "E1" suffix in the part number, are RoHS compliant. Products with "G1" suffix are available in green packages.

**CURRENT MODE PWM CONTROLLER****AP384XC****Absolute Maximum Ratings (Note 1, 2)**

Parameter		Symbol	Value	Unit
Supply Voltage		$V_{CC}$	30	V
Output Current		$I_O$	$\pm 1$	A
Analog Inputs		$V(ANA)$	-0.3 to 6.3	V
Error Amp Output Sink Current		$I_{SINK(E.A)}$	10	mA
Power Dissipation at $T_A < 25\text{ }^\circ\text{C}$ (DIP-8)		$P_D$ (Note 3)	1000	mW
Power Dissipation at $T_A < 25\text{ }^\circ\text{C}$ (SOIC-8)		$P_D$ (Note 3)	460	mW
Junction Operating Temperature		$T_J$	-40 to 150	$^\circ\text{C}$
Thermal Resistance (Junction to Ambient)	DIP-8	$R_{\theta JA}$	140	$^\circ\text{C/W}$
	SOIC-8		160	$^\circ\text{C/W}$
Storage Temperature Range		$T_{STG}$	-65 to 150	$^\circ\text{C}$
Lead Temperature (Soldering, 10sec)		$T_{LEAD}$	+300	$^\circ\text{C}$
ESD (Machine Mode)			250	V

Note 1: Stresses greater than those listed under "Absolute Maximum Ratings" may cause permanent damage to the device. These are stress ratings only, and functional operation of the device at these or any other conditions beyond those indicated under "Recommended Operating Conditions" is not implied. Exposure to "Absolute Maximum Ratings" for extended periods may affect device reliability.

Note 2: All voltages are with respect to pin 5 and all currents are positive into specified terminal.

Note 3: Board thickness 1.6mm, board dimension 90mm X 90mm.

**Recommended Operating Conditions**

Parameter	Symbol	Min	Max	Unit
Oscillation Frequency	f		500	KHz
Ambient Temperature	$T_A$	-40	85	$^\circ\text{C}$



**CURRENT MODE PWM CONTROLLER**

**AP384XC**

**Electrical Characteristics**

( $V_{CC}=15V$ ,  $R_T=10k\Omega$ ,  $C_T=3.3nF$ ,  $T_A= -40$  to  $85^\circ C$ , unless otherwise specified.)

Parameter	Symbol	Conditions	Min	Typ	Max	Unit
<b>REFERENCE SECTION</b>						
Reference Output Voltage	$V_{REF}$	$T_J=25^\circ C$ , $I_{REF}=1mA$	4.90	5.00	5.10	V
Total Output Variation		Line, Load, Temp.	4.82		5.18	V
Line Regulation	$\Delta V_{REF}$	$12V \leq V_{CC} \leq 25V$		4	15	mV
Load Regulation	$\Delta V_{REF}$	$1mA \leq I_{REF} \leq 20mA$		4	15	mV
Short Circuit Output Current	$I_{SC}$	$T_A=25^\circ C$		-100	-180	mA
Temperature Stability				0.2	0.4	mV/ $^\circ C$
<b>OSCILLATOR SECTION</b>						
Oscillation Frequency	f	$T_J=25^\circ C$	47	52	57	KHz
Oscillator Amplitude	$V_{OSC}$	Pin 4, peak to peak (Note 6)		1.7		V
Temperature Stability		(Note 6)		2.5		%
Voltage Stability		$12V \leq V_{CC} \leq 25V$		0.2	1	%
Discharge Current		$V_{pin 4} = 2V$ (Note 7)	8.5	9.5	10.5	mA
<b>ERROR AMPLIFIER SECTION</b>						
Input Voltage	$V_I$	$V_{pin 1}=2.5V$	2.45	2.50	2.55	V
Output Sink Current	$I_{SINK}$	$V_{pin 1}=1.1V$	5	8		mA
Output Source Current	$I_{SOURCE}$	$V_{pin 1}=5V$	-0.5	-0.8		mA
High Output Voltage	$V_{OH}$	$R_L=15k\Omega$ to GND	5	7		V
Low Output Voltage	$V_{OL}$	$R_L=15k\Omega$ to pin 8		0.7	1.1	V
Voltage Gain		$2V \leq V_O \leq 4V$	65	90		dB
Power Supply Rejection Ratio	PSRR	$12V \leq V_{CC} \leq 25V$	60	70		dB
<b>CURRENT SENSE SECTION</b>						
Maximum Input Signal	$V_I(MAX)$	$V_{pin 1}=5V$ (Note 4)	0.9	1	1.1	V
Gain	GV	(Note 4, 5)	2.85	3	3.15	V/V
Power Supply Rejection Ratio	PSRR	$12V \leq V_{CC} \leq 25V$ (Note 4, 6)		70		dB
Delay to Output		$V_{pin 3} = 0$ to $2V$ (Note 6)		150	300	ns
Input Bias Current	$I_{BIAS}$			-3	-10	$\mu A$
<b>OUTPUT SECTION</b>						
Low Output Voltage	$V_{OL}$	$I_{SINK} = 20mA$		0.1	0.4	V
		$I_{SINK} = 200mA$		1.4	2.2	V
High Output Voltage	$V_{OH}$	$I_{SOURCE} = 20mA$	13	14		V
		$I_{SOURCE} = 200mA$	12	13		V
Rise Time	$t_R$	$T_J=25^\circ C$ , $C_L=1nF$ (Note 6)		50	150	ns
Fall Time	$t_F$	$T_J=25^\circ C$ , $C_L=1nF$ (Note 6)		50	150	ns

**CURRENT MODE PWM CONTROLLER**

**AP384XC**

**Electrical Characteristics (Continued)**

Parameter	Symbol	Conditions	Min	Typ	Max	Unit
<b>UNDER -VOLTAGE LOCKOUT SECTION</b>						
Start Threshold	V <sub>TH(ST)</sub>	AP3842C/AP3844C	15	16	17	V
		AP3843C/AP3845C	7.8	8.4	9.0	V
Min. Operation Voltage (After Turn On)	V <sub>OPR</sub> (Min.)	AP3842C/AP3844C	8.5	10.0	11.5	V
		AP3843C/AP3845C	7.0	7.6	8.2	V
<b>PWM SECTION</b>						
Max. Duty Cycle	D(Max.)	AP3842C/AP3843C	95	97	100	%
	D(Max.)	AP3844C/AP3845C	46	48	50	%
Min. Duty Cycle	D(Min.)				0	%
<b>TOTAL STANDBY CURRENT SECTION</b>						
Start-Up Current	I <sub>ST</sub>			50	80	μA
Operating Supply Current	I <sub>CC(OPR)</sub>	V <sub>pin3</sub> =V <sub>pin2</sub> =0V		8	12	mA
Zener Voltage	V <sub>Z</sub>	I <sub>CC</sub> =25mA	30	34		V
<b>OVER-TEMPERATURE PROTECT SECTION</b>						
Shutdown Temperature	T <sub>SHUT</sub>	(Note 6)		155		°C
Temperature Hysteresis	T <sub>HYS</sub>	(Note 6)		25		°C

Note 4: Parameters are tested at trip point of latch with V<sub>pin2</sub> = 0.

Note 5: Here gain is defined as:

$$A = \frac{\Delta V_{Pin 1}}{\Delta V_{Pin 3}}, 0 \leq V_{pin3} \leq 0.8V$$

Note 6: These parameters, although guaranteed, are not 100% tested in production.

Note 7: This parameter is measured with R<sub>T</sub>=10kΩ to V<sub>REF</sub>, it contributes 0.3mA of current to the measured value.

So the total current flowing into the CT pin will be 0.3mA higher than the measured value approximately.

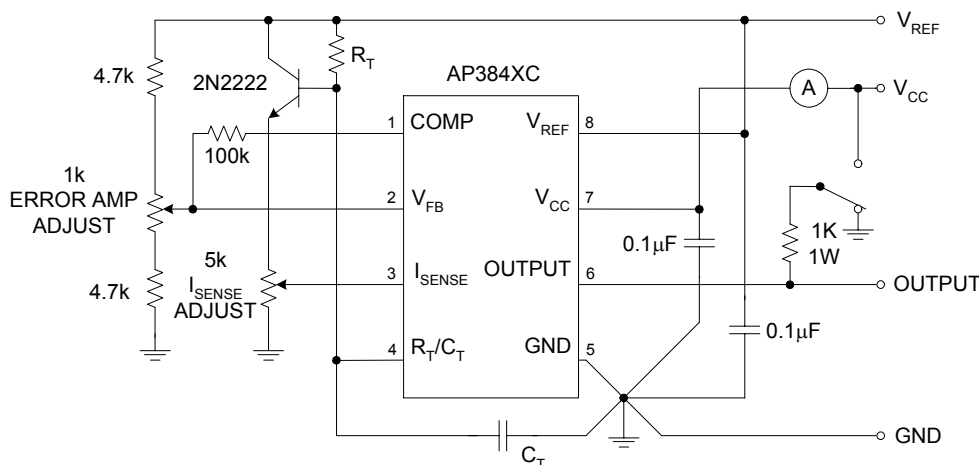


Figure 4. Basic Test Circuit



**CURRENT MODE PWM CONTROLLER**

**AP384XC**

**Electrical Characteristics (Continued)**

Figure 4 is the basic test circuit for AP384XC. In testing, the high peak currents associated with capacitive loads necessitate careful grounding techniques. Timing and bypass capacitors should be connected close to pin 5 in a single point ground. The transistor and 5k potentiometer are used to sample the oscillator waveform and apply an adjustable ramp to pin 3.

**Typical Performance Characteristics**

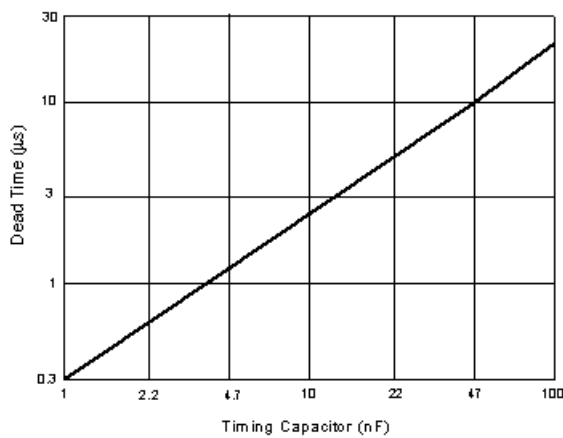


Figure 5. Oscillator Dead Time vs. Timing Capacitor

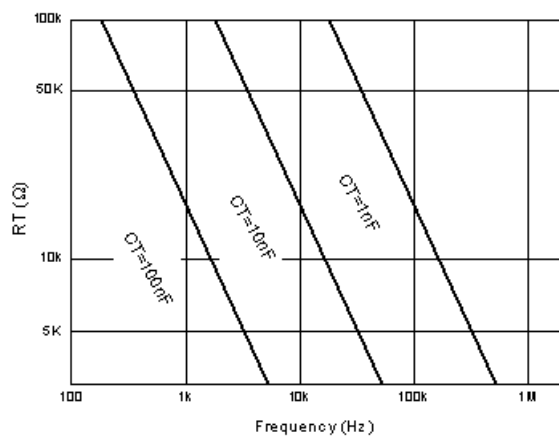


Figure 6. Timing Resistor vs. Frequency

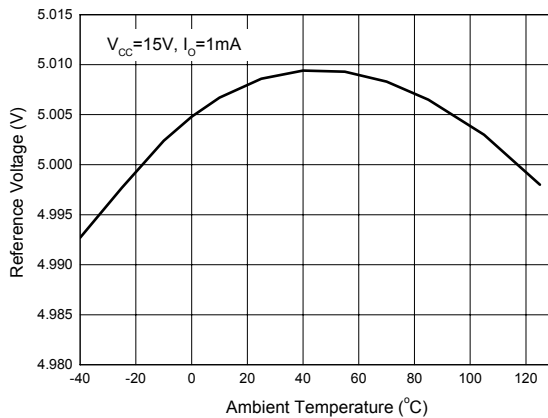


Figure 7. Reference Voltage vs. Ambient Temperature

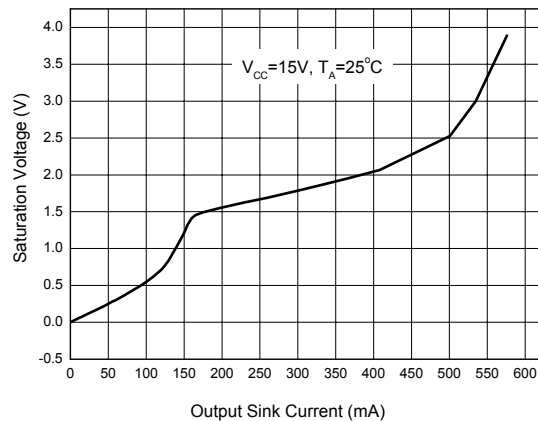


Figure 8. Output Saturation Characteristics





**Typical Performance Characteristics (Continued)**

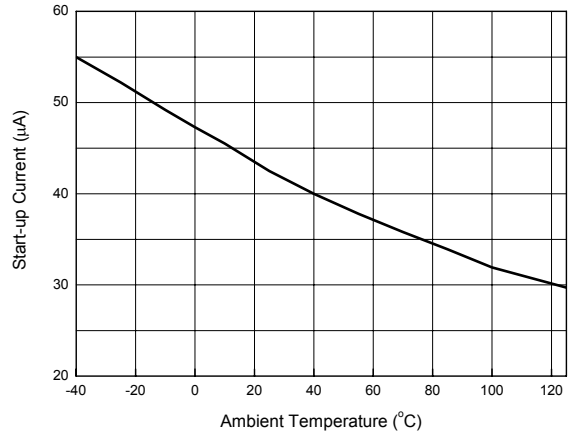
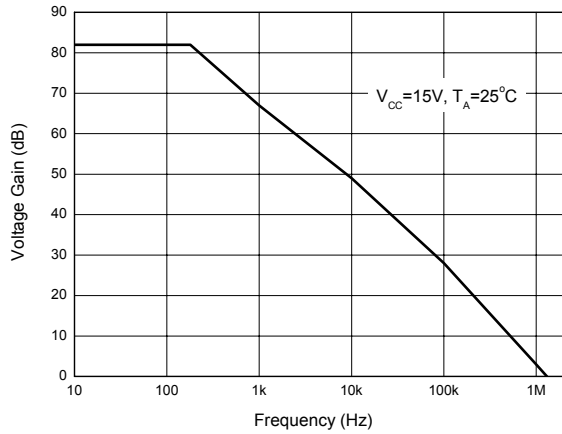


Figure 9. Error Amplifier Open-Loop Frequency Response

Figure 10. Start-up Current vs. Ambient Temperature

**CURRENT MODE PWM CONTROLLER**

**AP384XC**

**Typical Application**

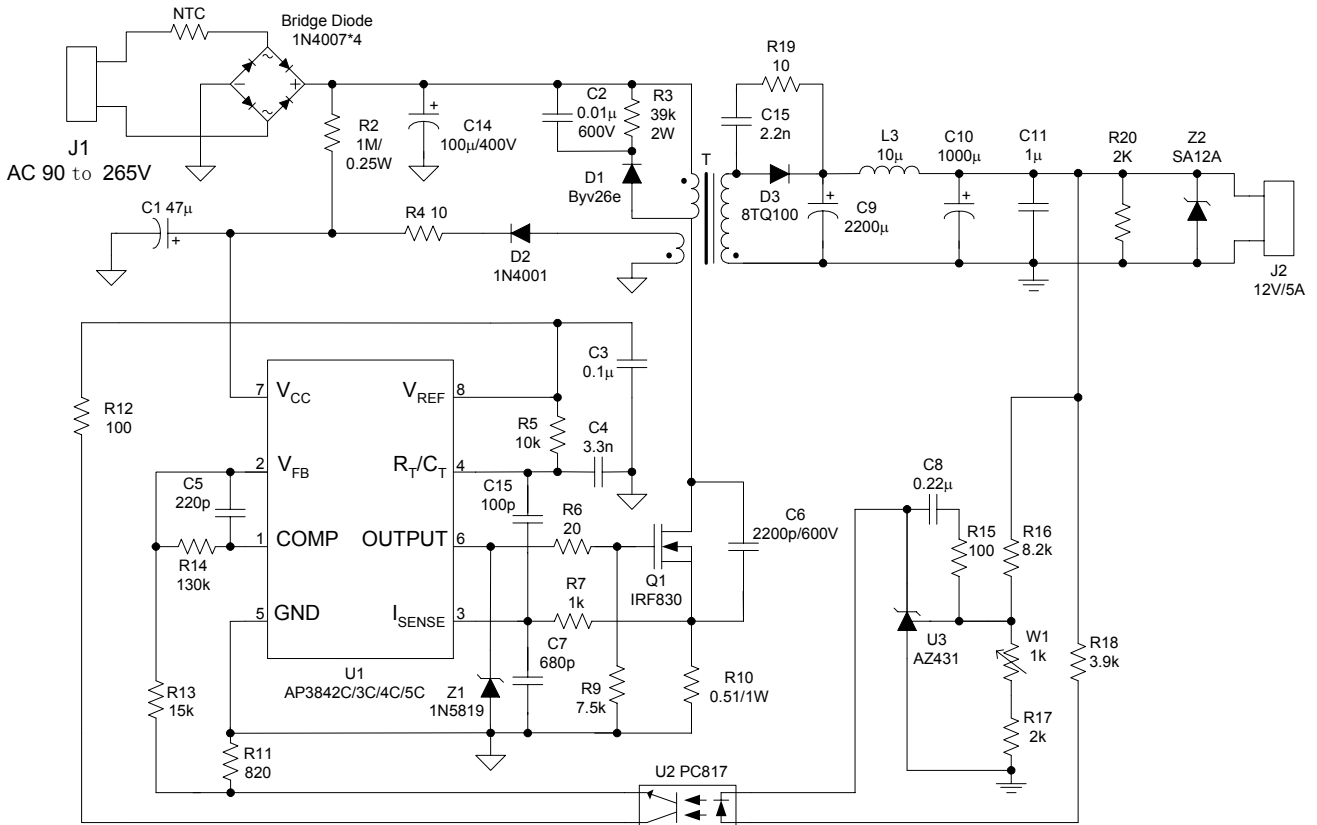


Figure 11. Typical Application of AP3842C/3C/4C/5C



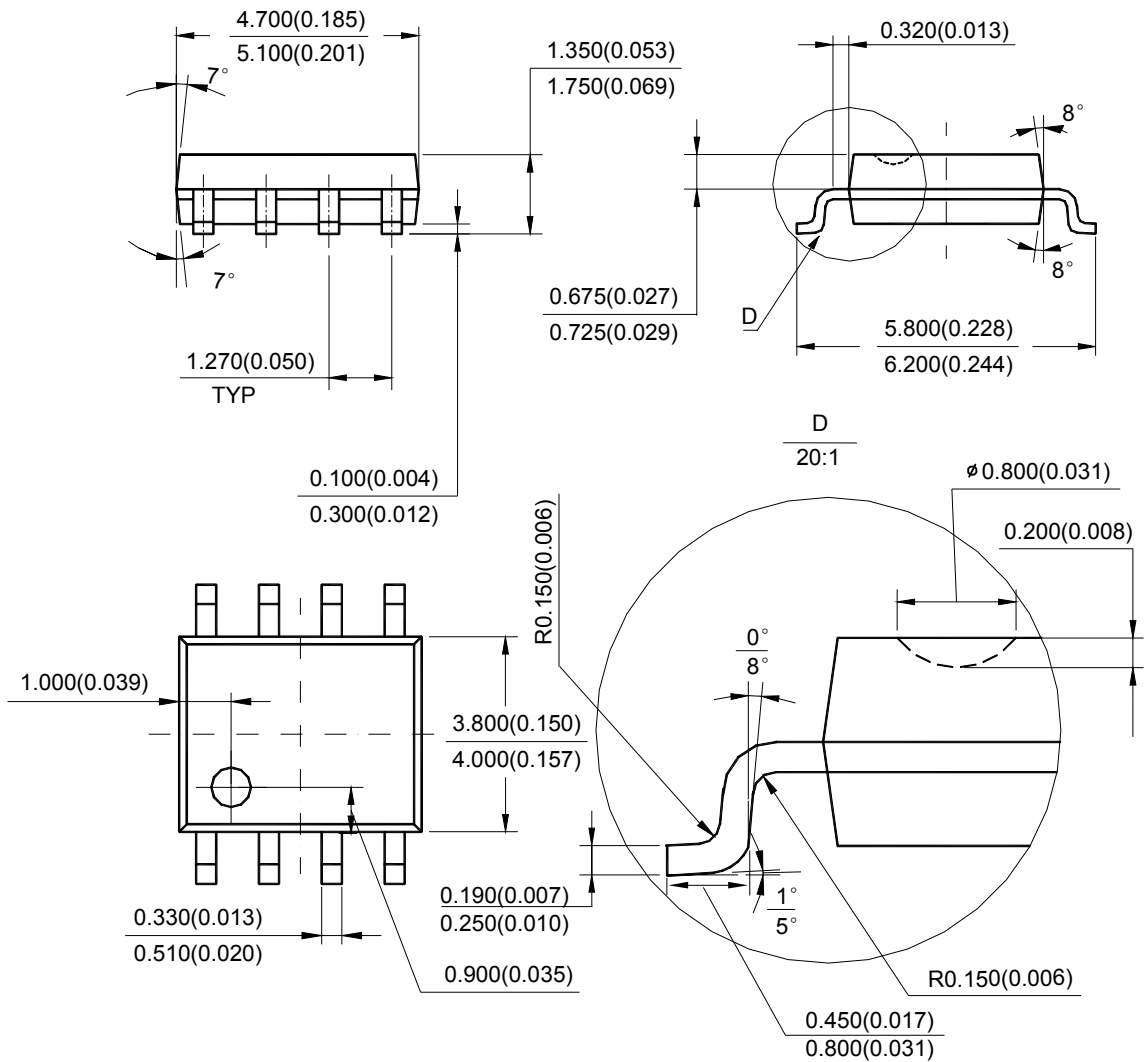
**CURRENT MODE PWM CONTROLLER**

**AP384XC**

**Mechanical Dimensions**

**SOIC-8**

**Unit: mm(inch)**



Note: Eject hole, oriented hole and mold mark is optional.



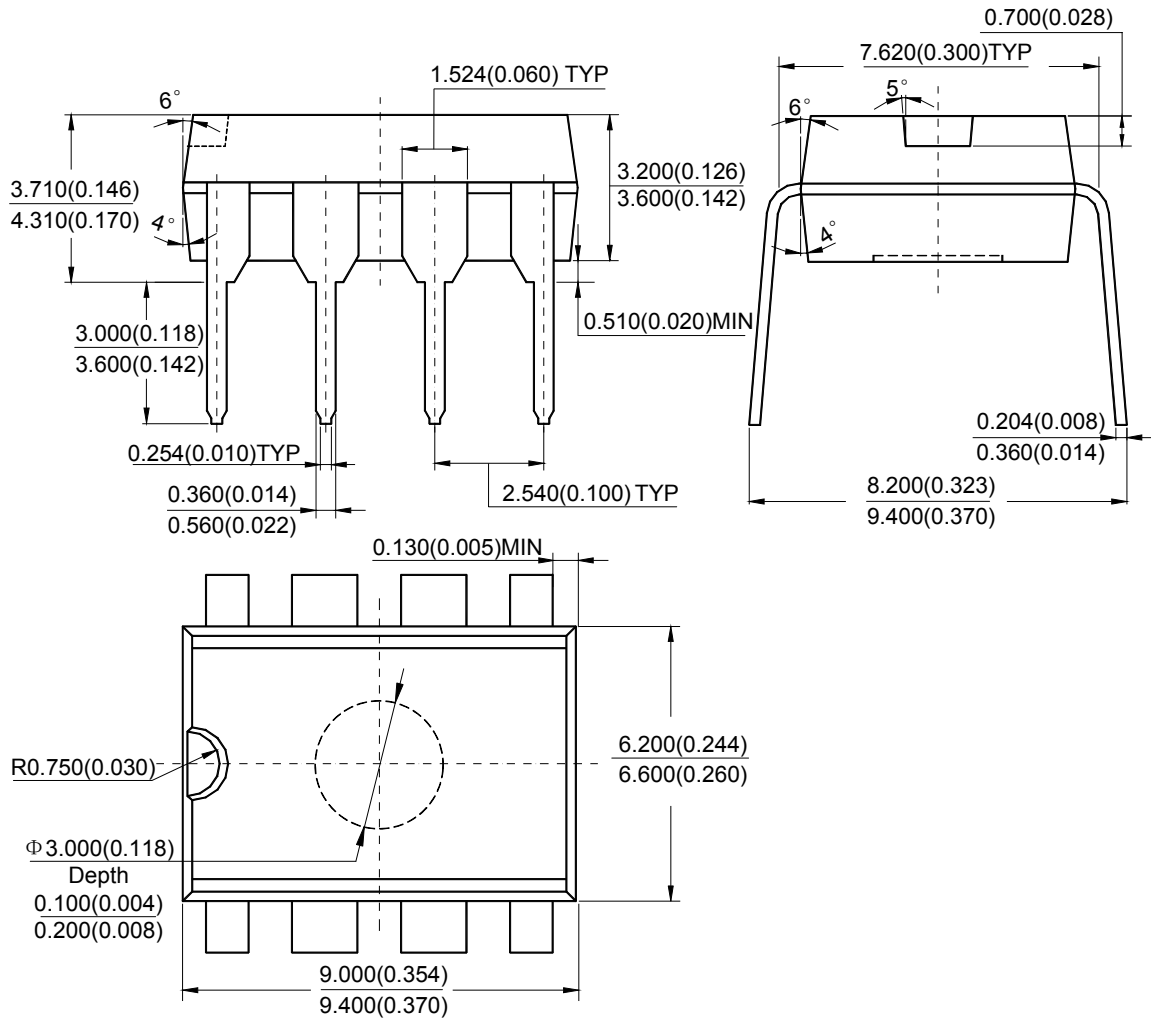
**CURRENT MODE PWM CONTROLLER**

**AP384XC**

**Mechanical Dimensions (Continued)**

**DIP-8**

**Unit: mm(inch)**



Note: Eject hole, oriented hole and mold mark is optional.



## BCD Semiconductor Manufacturing Limited

<http://www.bcdsemi.com>

### IMPORTANT NOTICE

BCD Semiconductor Manufacturing Limited reserves the right to make changes without further notice to any products or specifications herein. BCD Semiconductor Manufacturing Limited does not assume any responsibility for use of any its products for any particular purpose, nor does BCD Semiconductor Manufacturing Limited assume any liability arising out of the application or use of any its products or circuits. BCD Semiconductor Manufacturing Limited does not convey any license under its patent rights or other rights nor the rights of others.

---

#### MAIN SITE

##### - Headquarters

##### BCD Semiconductor Manufacturing Limited

No. 1600, Zi Xing Road, Shanghai ZiZhu Science-based Industrial Park, 200241, China  
Tel: +86-21-24162266, Fax: +86-21-24162277

##### - Wafer Fab

##### Shanghai SIM-BCD Semiconductor Manufacturing Co., Ltd.

800 Yi Shan Road, Shanghai 200233, China  
Tel: +86-21-6485 1491, Fax: +86-21-5450 0008

#### REGIONAL SALES OFFICE

##### Shenzhen Office

##### Shanghai SIM-BCD Semiconductor Manufacturing Co., Ltd., Shenzhen Office

Unit A Room 1203, Skyworth Bldg., Gaoxin Ave. 1.S., Nanshan District, Shenzhen, China  
Tel: +86-755-8826 7951  
Fax: +86-755-8826 7865

##### Taiwan Office

##### BCD Semiconductor (Taiwan) Company Limited

4F, 298-1, Rui Guang Road, Nei-Hu District, Taipei, Taiwan  
Tel: +886-2-2656 2808  
Fax: +886-2-2656 2806

##### USA Office

##### BCD Semiconductor Corp.

30920 Huntwood Ave. Hayward, CA 94544, USA  
Tel : +1-510-324-2988  
Fax: +1-510-324-2788