

SURFACE MOUNT COMMON MODE CHOKE

P/N: BCM-5857 DATA SHEET

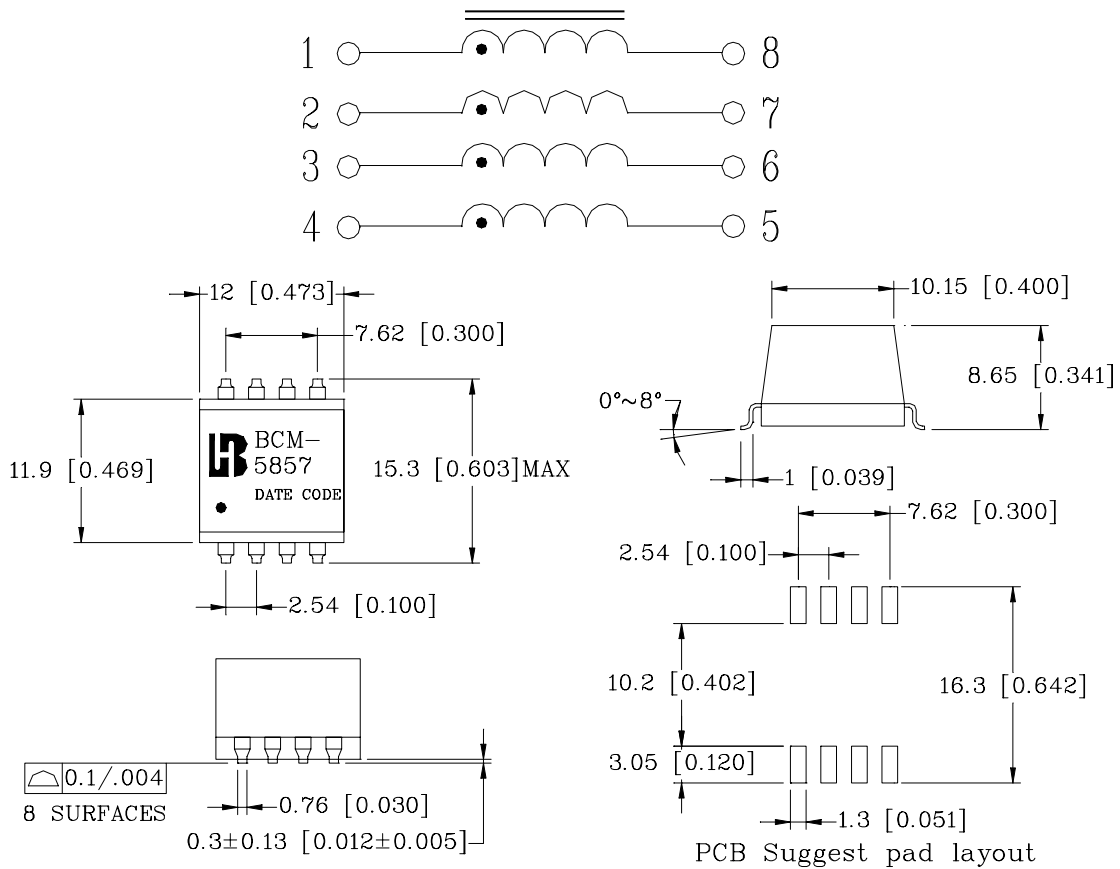
A. General specifications:

1. Suited for LAN and Telecom application
2. Reduces radiated EMI emissions
3. Filters common mode noise for EMI reduction
4. Common mode attenuation from 100KHz to 500MHz
5. Tape packaging available for surface mount parts

B. Electrical Specifications @25°C.

1. DCR: 0.30Ω Max
2. Primary Inductance OCL : $22.5\mu\text{H}$ Min@100KHZ 50mVrms
3. Interwinding cap (@100KHZ 50mVrms): 17pF Max
4. Leakage inductance(@100KHZ 50mVrms): $0.23\mu\text{H}$ Max
5. Turns ratio(1.5MHZ 0.1Vrms $\pm 2\%$): 1:1:1:1
6. Hi-pot: 500Vrms 1mA 2SEC

C. Schematic & Mechanical :



Dimensions: mm[Inches] Tolerances: ± 0.25 [0.01]