

5A Low Dropout Positive Voltage Regulator

TO-220



TO-263 (D²PAK)



TO-252 (DPAK)



Pin Definition:

- 1. Fixed / Adj
 - 2. Output
 - 3. Input
- Pin 2 connect to heat sink

General Description

The TS1084 Series are high performance positive voltage regulators are designed for use in applications requiring low dropout performance at full rated current, Additionally, the TS1084 Series provides excellent regulation over variations due to changes in line, load and temperature. Outstanding features include low dropout performance at rated current, fast transient response, internal current limiting and thermal shutdown protection of the output device. The TS1084 Series are three terminal regulators with fixed and adjustable voltage options available in popular packages.

Features

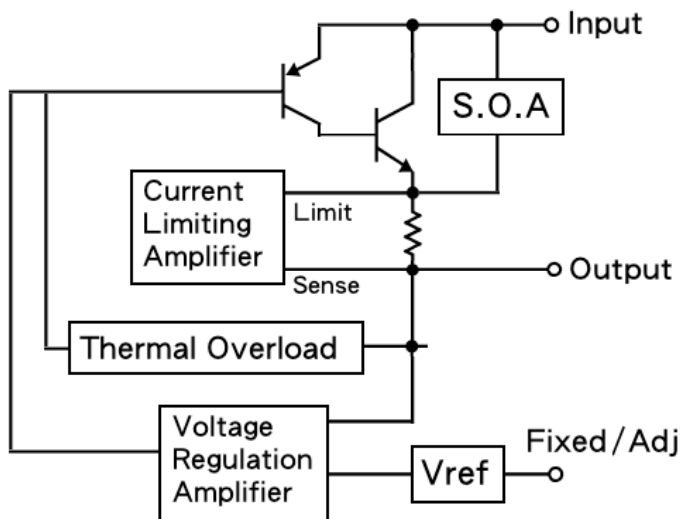
- Low Dropout Performance 1.5V max.
- Full Current Rating Over Line and Temperature
- Fast Transient Response
- ±2% Total Output Regulation Over Line, Load and Temperature
- Adjust Pin Current max 90uA Over Temperature
- Line Regulation Typical 0.015%
- Load Regulation Typical 0.05%
- Fixed / Adjustable Output Voltage
- TO-220, TO-263 and TO-252 Package

Ordering Information

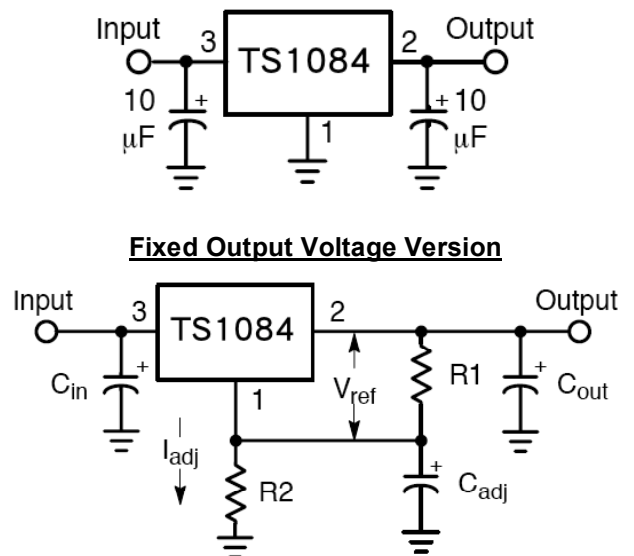
| Part No. | Package | Packing |
|---------------|---------|--------------------|
| TS1084CZxx C0 | TO-220 | 50pcs / Tube |
| TS1084CMxx RN | TO-263 | 800pcs / 13" Reel |
| TS1084CPxx RO | TO-252 | 2.5Kpcs / 13" Reel |

Note: Where **xx** denotes voltage option, available are 5.0V, 3.3V, 2.5V and 1.8V. Leave blank for adjustable version. Contact factory for additional voltage options.

Block Diagram



Typical Application Circuit



$$V_{OUT} = V_{REF}(1+R2/R1) + I_{adj} R2$$

Adjustable Output Voltage Version

Absolute Maximum Rating (Note 1)

| Parameter | Symbol | Limit | Unit |
|---|----------------------|------------------|------|
| Input Supply Voltage | V_{IN} | 12 | V |
| Operation Input Supply Voltage | V_{IN} (Opr. Typ.) | 7 | V |
| Power Dissipation (Note 2) | P_D | Internal limited | |
| Thermal Resistance Junction to Ambient | TO-220 | 80 | °C/W |
| | TO-263 | 85 | |
| | TO-252 | 105 | |
| Operating Junction Temperature Range | T_J | 0 ~ +125 | °C |
| Storage Temperature Range | T_{STG} | -65 ~ +150 | °C |
| Lead Soldering Temperature (260°C) | TO-220 / TO-263 | 10 | S |
| | TO-252 | 5 | |

Electrical Specification (Ta = 25°C, unless otherwise specified.)

| Parameter | Conditions | Min | Typ | Max | Unit |
|----------------------------|--|-------|-------|-------|------|
| Reference Voltage | $V_{IN} = 2.75, I_o = 5$ | 1.225 | 1.25 | 1.275 | V |
| Output Voltage | $V_{IN} = 3.3V \sim 7V, I_o = 5A$ | 1.764 | 1.8 | 1.836 | V |
| | $V_{IN} = 4V \sim 7V, I_o = 5A$ | 2.450 | 2.5 | 2.550 | V |
| | $V_{IN} = 4.8V \sim 7V, I_o = 5A$ | 3.235 | 3.3 | 3.366 | V |
| | $V_{IN} = 6.5V \sim 7V, I_o = 5A$ | 4.900 | 5.0 | 5.100 | V |
| Line Regulation | $V_o + 1.5V \leq V_{IN} \leq 7V, I_o = 10mA$ | -- | 0.015 | 0.2 | % |
| Load Regulation (Note 1,2) | $V_{IN} = V_{OUT} + 1.5V$ $I_o = 10mA \sim 5A$ | -- | 0.05 | 1.0 | % |
| Dropout Voltage | $I_o = 1A, \Delta V_{OUT} = 1\% V_{OUT}$ | -- | 1.3 | 1.5 | V |
| Quiescent Current | $V_{IN} = 5V$ | -- | 8 | 10 | mA |
| Adjustable Pin Current | | -- | 90 | -- | uA |
| Output Current Limit | $V_{IN} - V_{OUT} = 3V$ | 2.0 | -- | -- | A |
| Temperature Stability | $I_o = 10mA,$ | -- | 0.5 | -- | % |
| Ripple Rejection | $F = 120Hz, I_o = 1A, C_{OUT} = 25\mu F,$ $V_{IN} = V_{out} + 3V$ | -- | 60 | 70 | dB |

Note 1: See thermal regulation specification for changes in output voltage due to heating effects. Line and load regulation are measured at a constant junction temperature by low duty cycle pulse testing. Load regulation is measured at the output lead = 1/18" from the package.

Note 2: Line and load regulation are guaranteed up to the maximum power dissipation of 15W. Power dissipation is determined by the input / output voltage difference and the output current. Guaranteed maximum power dissipation will not be available over the full input / output voltage range.

Note 3: Quiescent current is defined as the minimum output current required to maintain the regulation.

Electrical Characteristics Curve

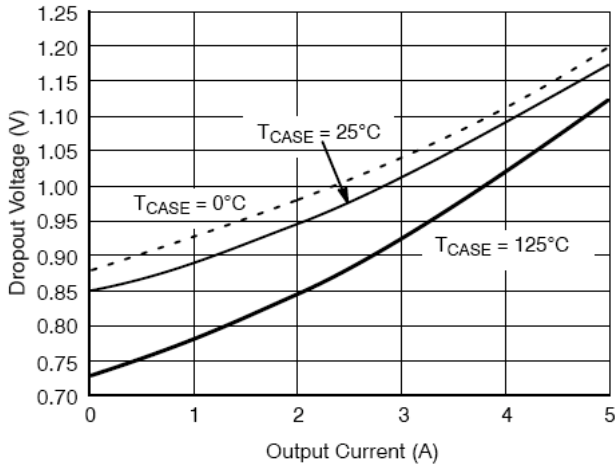


Figure 1. Vdrop vs. Output Current

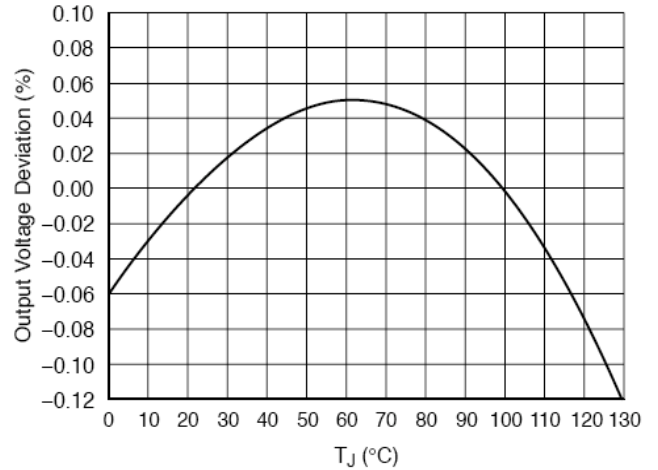


Figure 2. Reference Voltage vs. Temperature

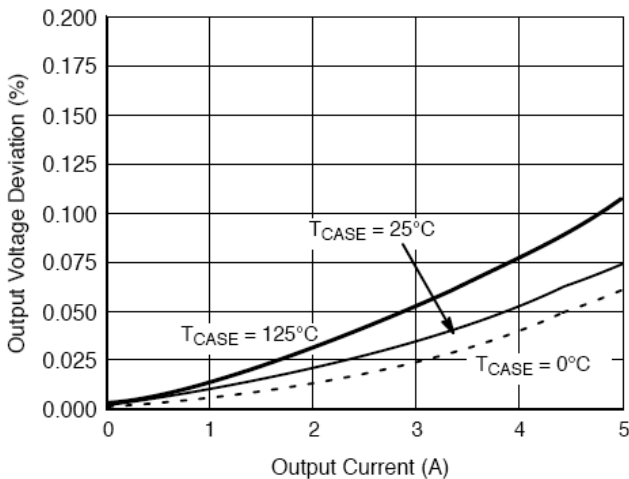


Figure 3. Load Regulation vs. Output Current

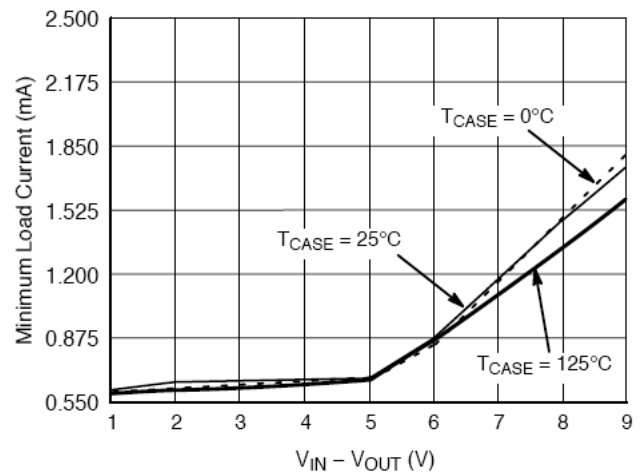


Figure 4. Minimum Load Current

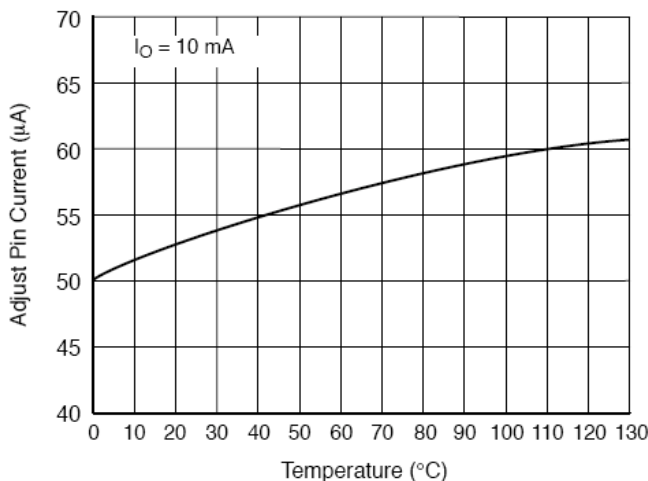


Figure 5. Iadj Pin vs. Temperature

Application Information

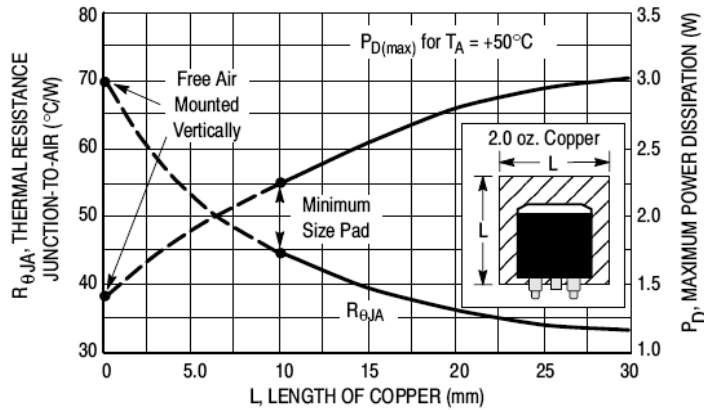


FIGURE 6 – D²PAK Thermal Resistance and Maximum Power Dissipation vs. P.C.B Copper Length

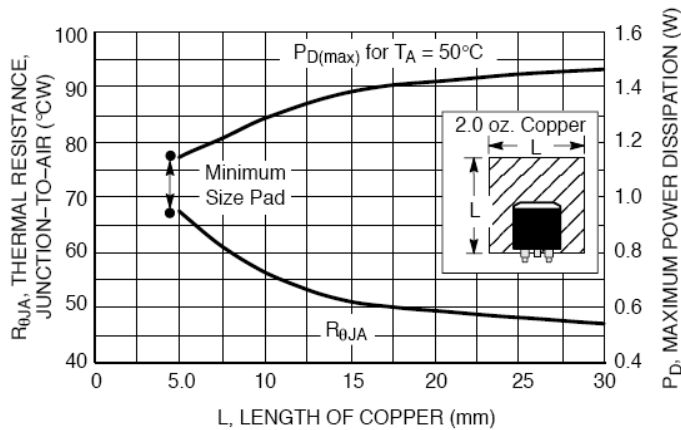
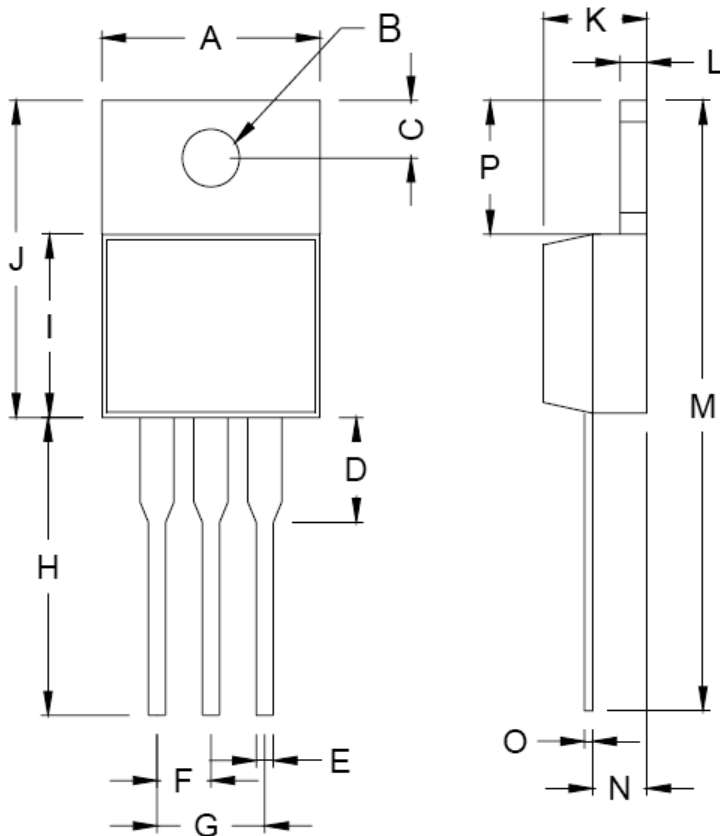


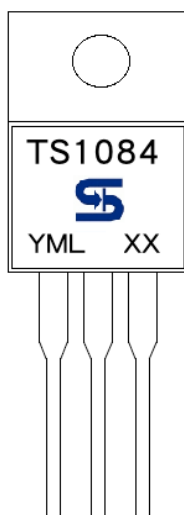
Figure 7 – DPAK Thermal Resistance and Maximum Power Dissipation vs. P.C.B Copper Length

TO-220 Mechanical Drawing



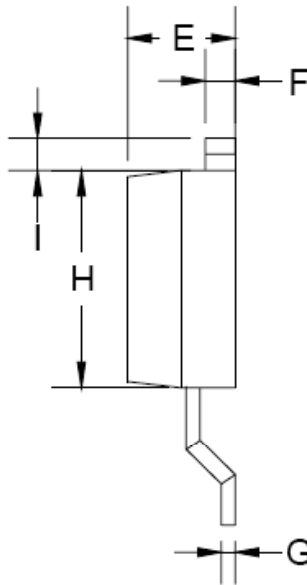
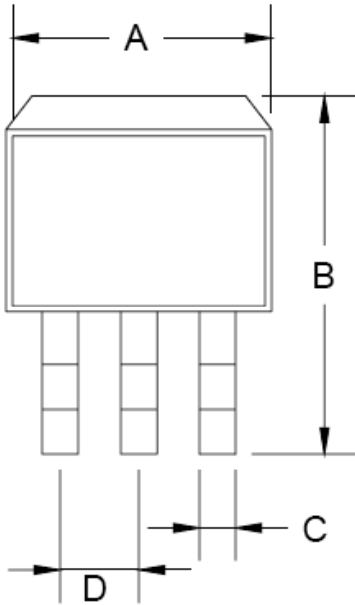
| TO-220 DIMENSION | | | | |
|------------------|-------------|--------|--------|-------|
| DIM | MILLIMETERS | | INCHES | |
| | MIN | MAX | MIN | MAX |
| A | 10.000 | 10.500 | 0.394 | 0.413 |
| B | 3.740 | 3.910 | 0.147 | 0.154 |
| C | 2.440 | 2.940 | 0.096 | 0.116 |
| D | - | 6.350 | - | 0.250 |
| E | 0.381 | 1.106 | 0.015 | 0.040 |
| F | 2.345 | 2.715 | 0.092 | 0.058 |
| G | 4.690 | 5.430 | 0.092 | 0.107 |
| H | 12.700 | 14.732 | 0.500 | 0.581 |
| I | 8.382 | 9.017 | 0.330 | 0.355 |
| J | 14.224 | 16.510 | 0.560 | 0.650 |
| K | 3.556 | 4.826 | 0.140 | 0.190 |
| L | 0.508 | 1.397 | 0.020 | 0.055 |
| M | 27.700 | 29.620 | 1.060 | 1.230 |
| N | 2.032 | 2.921 | 0.080 | 0.115 |
| O | 0.255 | 0.610 | 0.010 | 0.024 |
| P | 5.842 | 6.858 | 0.230 | 0.270 |

Marking Diagram



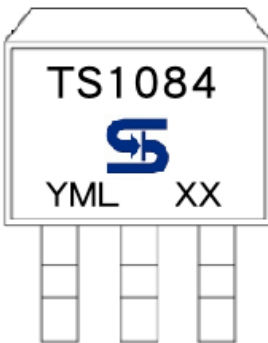
- Y** = Year Code
- M** = Month Code
(A=Jan, B=Feb, C=Mar, D=Apl, E=May, F=Jun, G=Jul, H=Aug, I=Sep, J=Oct, K=Nov, L=Dec)
- L** = Lot Code
- XX** = Voltage Code
(1.8=1.8V, 2.5=2.5V, 3.3=3.3V, 5.0=5V)
= Package Code for Adjustable type
(CZ = TO-220)

TO-263 Mechanical Drawing



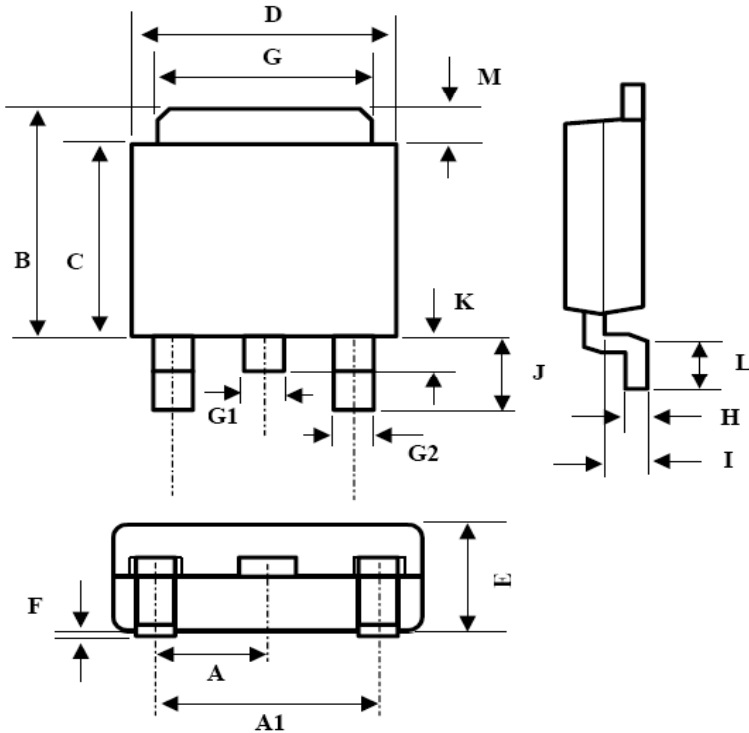
| DIM | TO-263 DIMENSION | | | |
|-----|------------------|--------|--------|-------|
| | MILLIMETERS | | INCHES | |
| | MIN | MAX | MIN | MAX |
| A | 10.000 | 10.500 | 0.394 | 0.413 |
| B | 14.605 | 15.875 | 0.575 | 0.625 |
| C | 0.508 | 0.991 | 0.020 | 0.039 |
| D | 2.420 | 2.660 | 0.095 | 0.105 |
| E | 4.064 | 4.830 | 0.160 | 0.190 |
| F | 1.118 | 1.400 | 0.045 | 0.055 |
| G | 0.450 | 0.730 | 0.018 | 0.029 |
| H | 8.280 | 8.800 | 0.325 | 0.346 |
| I | 1.140 | 1.400 | 0.044 | 0.055 |
| J | 1.480 | 1.520 | 0.058 | 0.060 |

Marking Diagram



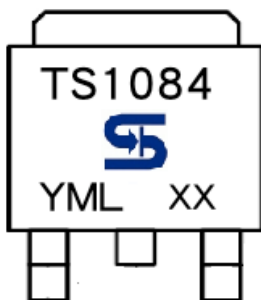
- Y** = Year Code
- M** = Month Code
(A=Jan, B=Feb, C=Mar, D=Apl, E=May, F=Jun, G=Jul, H=Aug, I=Sep, J=Oct, K=Nov, L=Dec)
- L** = Lot Code
- XX** = Voltage Code
(1.8=1.8V, 2.5=2.5V, 3.3=3.3V, 5.0=5V)
= Package Code for Adjustable type
(CM = TO-263)

TO-252 Mechanical Drawing



| TO-252 DIMENSION | | | | |
|------------------|-------------|------|---------|-------|
| DIM | MILLIMETERS | | INCHES | |
| | MIN | MAX | MIN | MAX |
| A | 2.3BSC | | 0.09BSC | |
| A1 | 4.6BSC | | 0.18BSC | |
| B | 6.80 | 7.20 | 0.268 | 0.283 |
| C | 5.40 | 5.60 | 0.213 | 0.220 |
| D | 6.40 | 6.65 | 0.252 | 0.262 |
| E | 2.20 | 2.40 | 0.087 | 0.094 |
| F | 0.00 | 0.20 | 0.000 | 0.008 |
| G | 5.20 | 5.40 | 0.205 | 0.213 |
| G1 | 0.75 | 0.85 | 0.030 | 0.033 |
| G2 | 0.55 | 0.65 | 0.022 | 0.026 |
| H | 0.35 | 0.65 | 0.014 | 0.026 |
| I | 0.90 | 1.50 | 0.035 | 0.059 |
| J | 2.20 | 2.80 | 0.087 | 0.110 |
| K | 0.50 | 1.10 | 0.020 | 0.043 |
| L | 0.90 | 1.50 | 0.035 | 0.059 |
| M | 1.30 | 1.70 | 0.051 | 0.67 |

Marking Diagram



- Y** = Year Code
- M** = Month Code
(**A**=Jan, **B**=Feb, **C**=Mar, **D**=Apr, **E**=May, **F**=Jun, **G**=Jul, **H**=Aug, **I**=Sep, **J**=Oct, **K**=Nov, **L**=Dec)
- L** = Lot Code
- XX** = Voltage Code
(1.8=1.8V, 2.5=2.5V, 3.3=3.3V, 5.0=5V)
- = Package Code for Adjustable type
(CP = TO-252)

Notice

Specifications of the products displayed herein are subject to change without notice. TSC or anyone on its behalf, assumes no responsibility or liability for any errors or inaccuracies.

Information contained herein is intended to provide a product description only. No license, express or implied, to any intellectual property rights is granted by this document. Except as provided in TSC's terms and conditions of sale for such products, TSC assumes no liability whatsoever, and disclaims any express or implied warranty, relating to sale and/or use of TSC products including liability or warranties relating to fitness for a particular purpose, merchantability, or infringement of any patent, copyright, or other intellectual property right.

The products shown herein are not designed for use in medical, life-saving, or life-sustaining applications. Customers using or selling these products for use in such applications do so at their own risk and agree to fully indemnify TSC for any damages resulting from such improper use or sale.