



PRELIMINARY

**SOLID STATE DEVICES, INC.**

14005 Stage Road \* Santa Fe Springs, Ca 90670  
Phone: (562) 404-4474 \* Fax: (562) 404-1773

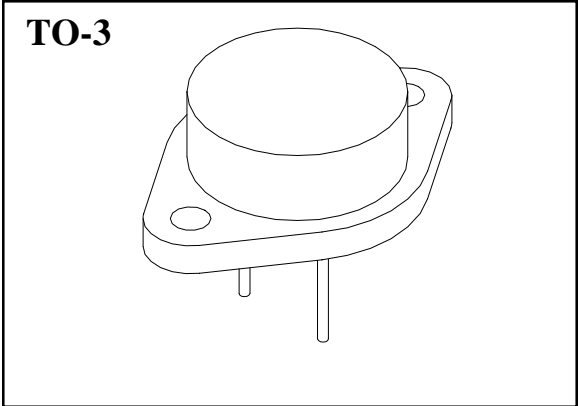
**Designer's Data Sheet**

**5R5/3D  
thru  
15R5/3D**

**30 AMP  
50-150 VOLTS  
EPION  
HIGH SPEED  
RECTIFIER**

**FEATURES:**  
Optimized for 12V and 15V auxiliary output power supplies. The EPION series has been designed to provide low forward voltage drops and small delta shifts in reverse recovery time at high temperature minimizing switching losses.

- **Radiation Tolerant**
- **Ultra Fast Recovery Time**
- **Low Forward Voltage**
- **Low Reverse Leakage**
- **Hermetically Sealed Package**
- **High Reverse Blocking Voltage**
- **175°C Operating T<sub>J</sub>**



Maximum Ratings	SYMBOL	VALUE	UNITS
Peak Repetitive Reverse and DC Blocking Voltage 5R 7R 10R 12R 15R	$V_{RM(rep)}$ $V_R$	50 70 100 125 150	Volts
Half Wave Rectified Forward Current. Averaged Over Full Cycle per leg . (Resistive load, 60Hz, Sine Wave, T <sub>C</sub> = 55°C)	$I_o$	30	Amps
Peak Repetitive Forward Current per leg (T <sub>C</sub> = 55°C, 8.3 ms Pulse, Allow Junction to Reach Equilibrium Between Pulses)	$I_{FM(rep)}$	110	Amps
Peak Surge Current per leg (T <sub>C</sub> = 55°C, Superimposed on Rated Current at Rated Voltage, 8.3 ms Pulse)	$I_{FM(surge)}$	350	Amps
Operating and Storage Temperature	T <sub>J</sub> & T <sub>stg</sub>	-65 TO +175	°C
Maximum Thermal Resistance Junction to Case	R <sub>θJC</sub>	1.5	°C/W

**NOTE:** All specifications are subject to change without notification. SCD's for these devices should be reviewed by SSDI prior to release.

**DATA SHEET #: RC0003A**

**5R5/3D  
thru  
15R5/3D**

PRELIMINARY



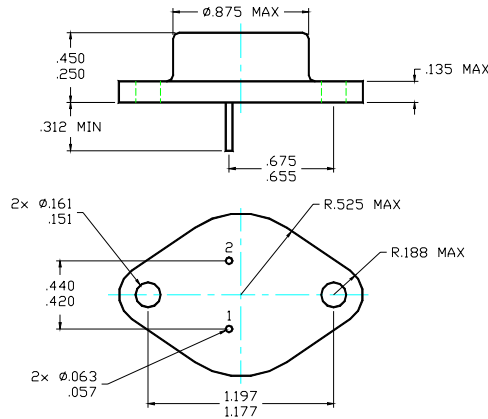
**SOLID STATE DEVICES, INC.**

14005 Stage Road \* Santa Fe Springs, Ca 90670  
Phone: (562) 404-4474 \* Fax: (562) 404-1773

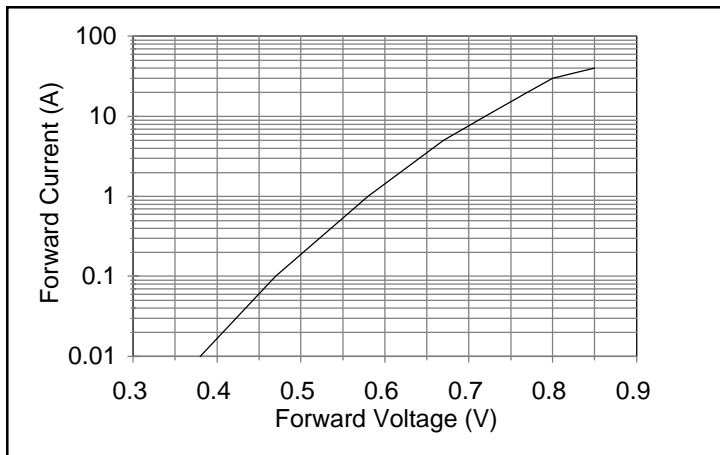
Electrical Characteristics (Per leg)	SYMBOL	VALUE	UNITS
<b>Reverse Leakage Current</b> ( $T_J = 25^\circ\text{C}$ , 300 $\mu\text{s}$ pulse minimum $V_R = 150\text{V}$ )	<b>I<sub>R1</sub></b>	<b>50</b>	<b>mA</b>
<b>Reverse Leakage Current</b> ( $T_J = 125^\circ\text{C}$ , 300 $\mu\text{s}$ pulse minimum $V_R = 150\text{V}$ )	<b>I<sub>R2</sub></b>	<b>175</b>	<b>mA</b>
<b>Instantaneous Forward Voltage Drop</b> $T_J = 25^\circ\text{C}$ , 300 $\mu\text{sec}$ pulse minimum $I_F = 30\text{A}$ $I_F = 50\text{A}$	<b>I<sub>F1</sub></b>	<b>0.85</b> <b>1.0</b>	<b>V<sub>DC</sub></b> <b>V<sub>DC</sub></b>
<b>Instantaneous Forward Voltage Drop</b> $T_J = 125^\circ\text{C}$ , 300 $\mu\text{sec}$ pulse minimum $I_F = 30\text{A}$ $I_F = 50\text{A}$	<b>I<sub>F2</sub></b>	<b>.75</b> <b>.90</b>	<b>V<sub>DC</sub></b> <b>V<sub>DC</sub></b>
<b>Reverse Recovery Time</b> $T_A = 25^\circ\text{C}$ , $I_F = 0.5\text{A}$ , $I_R = 1.0\text{A}$ , $I_{RR} = 0.25\text{A}$	<b>T<sub>RR1</sub></b>	<b>65</b>	<b>nsec</b>
<b>Reverse Recovery Time</b> $T_A = 150^\circ\text{C}$ , $I_F = 0.5\text{A}$ , $I_R = 1.0\text{A}$ , $I_{RR} = 0.25\text{A}$	<b>T<sub>RR2</sub></b>	<b>90</b>	<b>nsec</b>
<b>Junction Capacitance</b> ( $V_R = 10\text{V}_{DC}$ , $T_A = 25^\circ\text{C}$ , $f = 1\text{MHz}$ )	<b>C<sub>J</sub></b>	<b>250</b>	<b>pF</b>

**CASE OUTLINE: TO-3**

**CASE: CATHODE**  
**PIN 1: ANODE**  
**PIN 2: ANODE**



**FORWARD VOLTAGE @  $T_J = 25^\circ\text{C}$   
(per leg)**



**FORWARD VOLTAGE @  $T_J = 125^\circ\text{C}$   
(per leg)**

