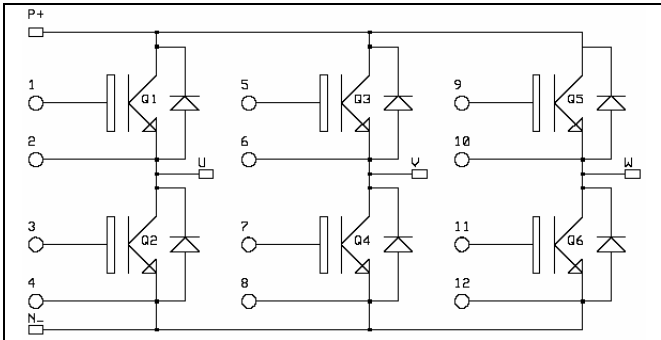


3 Phase bridge NPT IGBT Power Module

$V_{CES} = 600V$
 $I_C = 20A @ T_c = 80^\circ C$



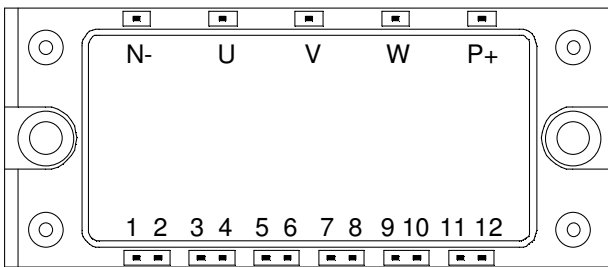
Application

- AC Motor control

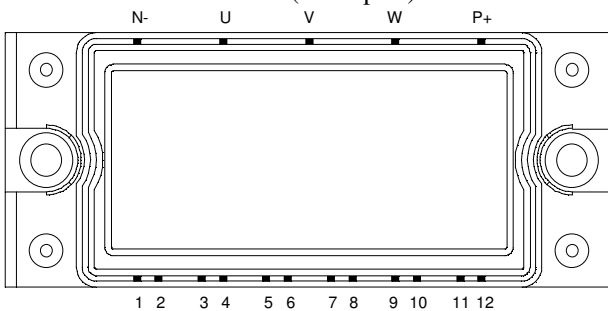
Features

- Non Punch Through (NPT) Fast IGBT®
 - Low voltage drop
 - Low tail current
 - Switching frequency up to 50 kHz
 - Soft recovery parallel diodes
 - Low diode VF
 - Low leakage current
 - Avalanche energy rated
 - RBSOA and SCSOA rated
- Kelvin emitter for easy drive
- Very low stray inductance
- High level of integration

Pin out: APTGF20X60E2 (Long pins)



Pin out: APTGF20X60P2 (Short pins)



Benefits

- Outstanding performance at high frequency operation
- Stable temperature behavior
- Very rugged
- Solderable terminals for easy PCB mounting
- Direct mounting to heatsink (isolated package)
- Low junction to case thermal resistance
- Easy paralleling due to positive TC of VCEsat
- Low profile

All ratings @ $T_j = 25^\circ C$ unless otherwise specified

Absolute maximum ratings

Symbol	Parameter	Max ratings	Unit
V_{CES}	Collector - Emitter Breakdown Voltage	600	V
I_C	Continuous Collector Current	$T_C = 25^\circ C$	32
		$T_C = 80^\circ C$	20
I_{CM}	Pulsed Collector Current	$T_C = 25^\circ C$	50
V_{GE}	Gate - Emitter Voltage	± 20	V
P_D	Maximum Power Dissipation	$T_C = 25^\circ C$	125
SCSOA	Short Circuit Safe Operating Area	$T_j = 125^\circ C$	80A@360V

CAUTION: These Devices are sensitive to Electrostatic Discharge. Proper Handling Procedures Should Be Followed.

Electrical Characteristics

Symbol	Characteristic	Test Conditions	Min	Typ	Max	Unit
BV_{CES}	Collector - Emitter Breakdown Voltage	$V_{GE} = 0V, I_C = 500\mu A$	600			V
I_{CES}	Zero Gate Voltage Collector Current	$V_{GE} = 0V$ $V_{CE} = 600V$	$T_j = 25^\circ C$	1	500	μA
			$T_j = 125^\circ C$		1	
$V_{CE(on)}$	Collector Emitter on Voltage	$V_{GE} = 15V$ $I_C = 20A$	$T_j = 25^\circ C$	2.0	2.5	V
			$T_j = 125^\circ C$	2.2		
$V_{GE(th)}$	Gate Threshold Voltage	$V_{GE} = V_{CE}, I_C = 0.5mA$	3		6.5	V
I_{GES}	Gate - Emitter Leakage Current	$V_{GE} = 20V, V_{CE} = 0V$			400	nA

Dynamic Characteristics

Symbol	Characteristic	Test Conditions	Min	Typ	Max	Unit
C_{ies}	Input Capacitance	$V_{GE} = 0V, V_{CE} = 25V$ $f = 1MHz$		1100		pF
C_{res}	Reverse Transfer Capacitance				70	
$T_{d(on)}$	Turn-on Delay Time	Inductive Switching ($25^\circ C$) $V_{GE} = \pm 15V$ $V_{Bus} = 300V$ $I_C = 20A$ $R_G = 27\Omega$		45		ns
T_r	Rise Time			23		
$T_{d(off)}$	Turn-off Delay Time			107		
T_f	Fall Time			18		
$T_{d(on)}$	Turn-on Delay Time		Inductive Switching ($125^\circ C$) $V_{GE} = \pm 15V$ $V_{Bus} = 300V$ $I_C = 20A$ $R_G = 27\Omega$		47	
T_r	Rise Time			24		
$T_{d(off)}$	Turn-off Delay Time			125		
T_f	Fall Time			21		
E_{off}	Turn off Energy				0.38	

Reverse diode ratings and characteristics

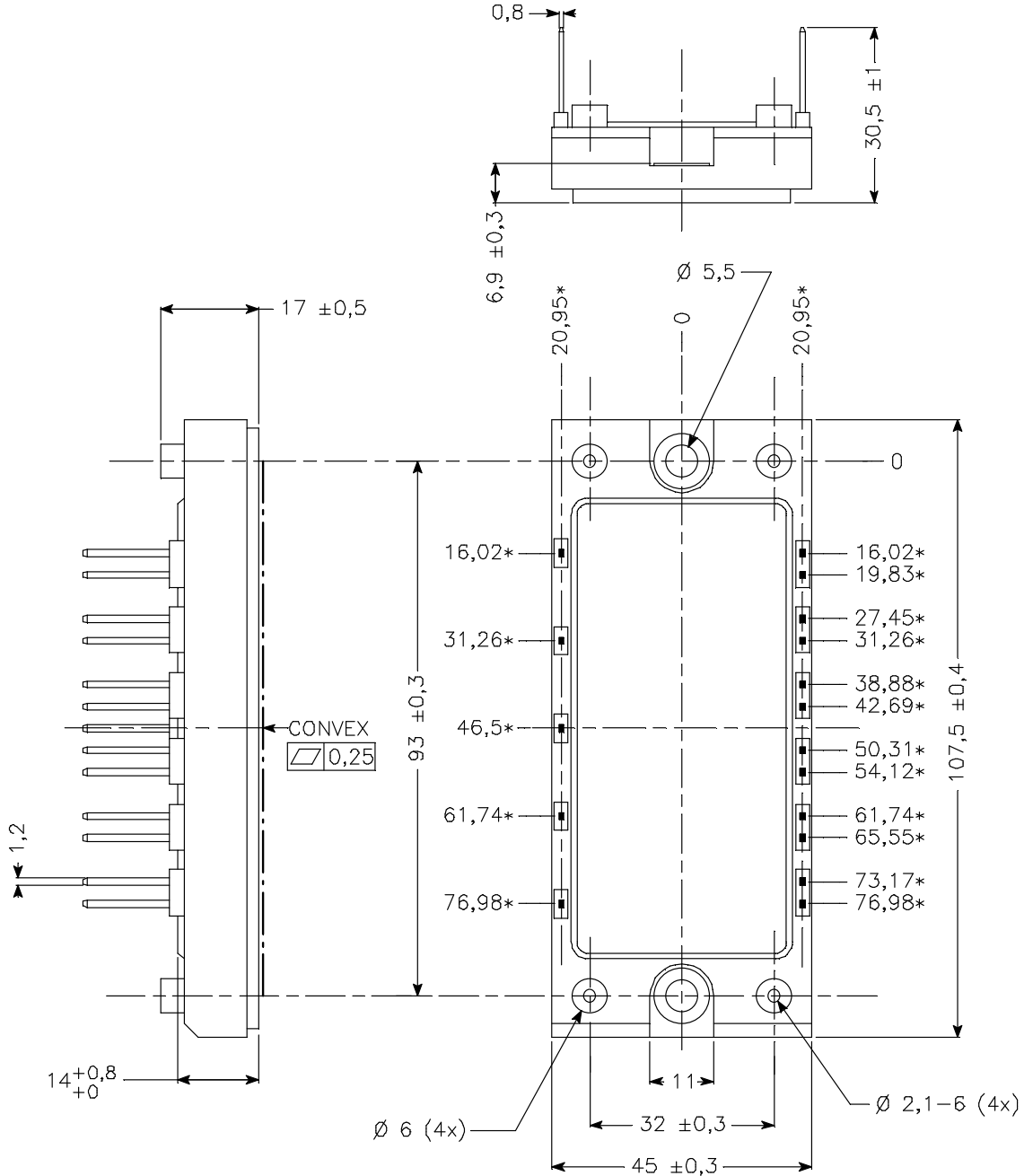
Symbol	Characteristic	Test Conditions	Min	Typ	Max	Unit
V_F	Diode Forward Voltage	$I_F = 20A$ $V_{GE} = 0V$	$T_j = 25^\circ C$	1.25	1.6	V
			$T_j = 125^\circ C$		1.2	
E_R	Reverse Recovery Energy	$I_F = 20A$ $V_R = 300V$ $di/dt = 800A/\mu s$		0.43		mJ
Q_{rr}	Reverse Recovery Charge	$I_F = 20A$ $V_R = 300V$ $di/dt = 800A/\mu s$	$T_j = 25^\circ C$		1.4	μC
			$T_j = 125^\circ C$		2.4	

Thermal and package characteristics

Symbol	Characteristic	Min	Typ	Max	Unit	
R_{thJC}	Junction to Case	IGBT		1	$^\circ C/W$	
		Diode		1.5		
V_{ISOL}	RMS Isolation Voltage, any terminal to case $t = 1$ min, $I_{isol} < 1mA, 50/60Hz$	2500			V	
T_j	Operating junction temperature range	-40		150	$^\circ C$	
T_{STG}	Storage Temperature Range	-40		125		
T_C	Operating Case Temperature	-40		125		
Torque	Mounting torque	To Heatsink	M5	2	3.5	N.m
W_t	Package Weight				185	g

Package outline

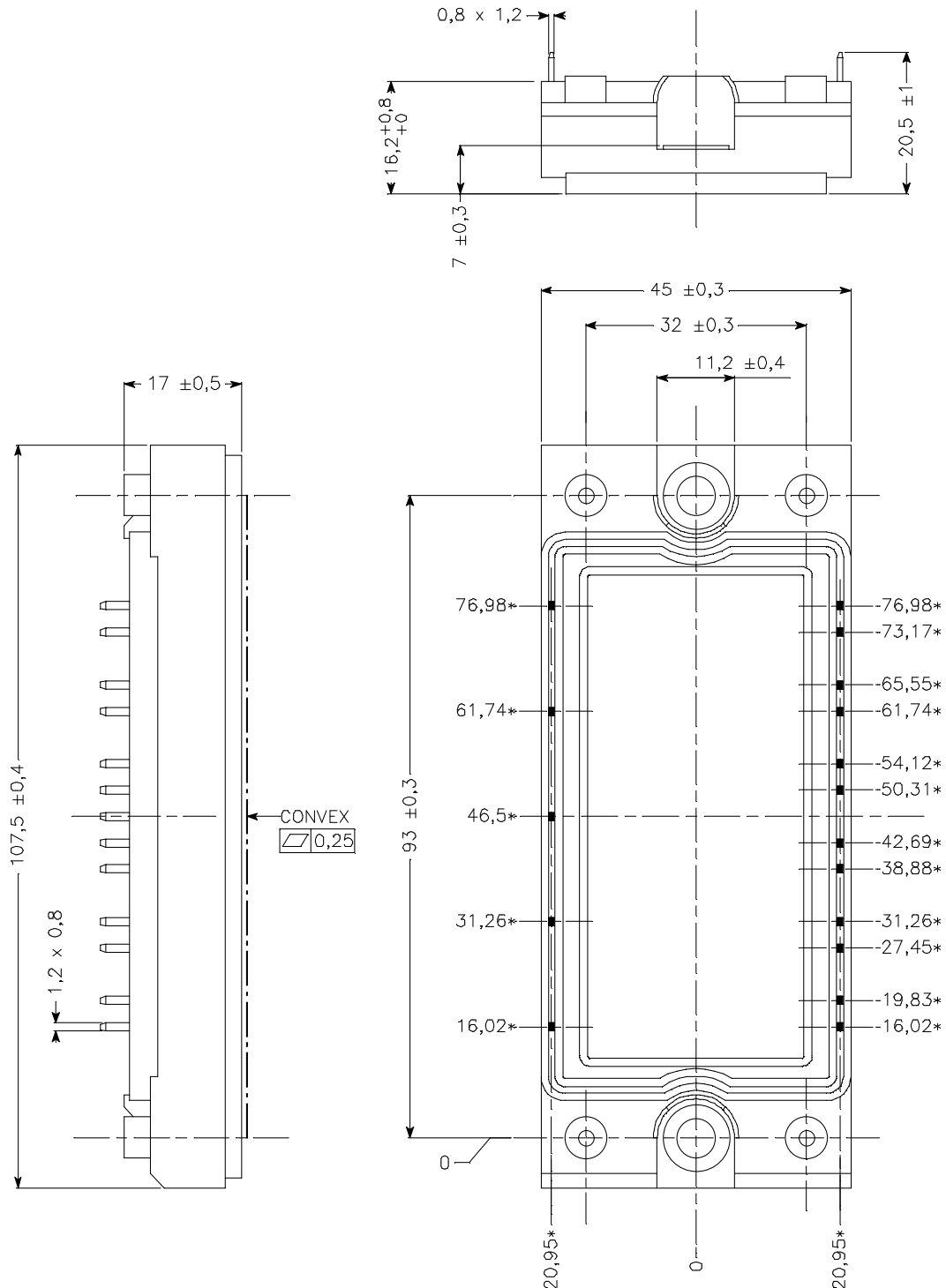
Pin out: APTGF20X60E2 (Long pins)



ALL DIMENSIONS MARKED " * " ARE TOLERANCED AS : $\oplus \varnothing 0,4$

Package outline

Pin out: APTGF20X60P2 (Short pins)



ALL DIMENSIONS MARKED "*" ARE TOLERANCED AS : $\text{⌀}0,4$

APT reserves the right to change, without notice, the specifications and information contained herein

APT's products are covered by one or more of U.S patents 4,895,810 5,045,903 5,089,434 5,182,234 5,019,522 5,262,336 6,503,786 5,256,583 4,748,103 5,283,202 5,231,474 5,434,095 5,528,058 and foreign patents. U.S and Foreign patents pending. All Rights Reserved.