

# 10/100 BASE-T QUAD SMD TRANSFORMER MODULES

## FEATURES

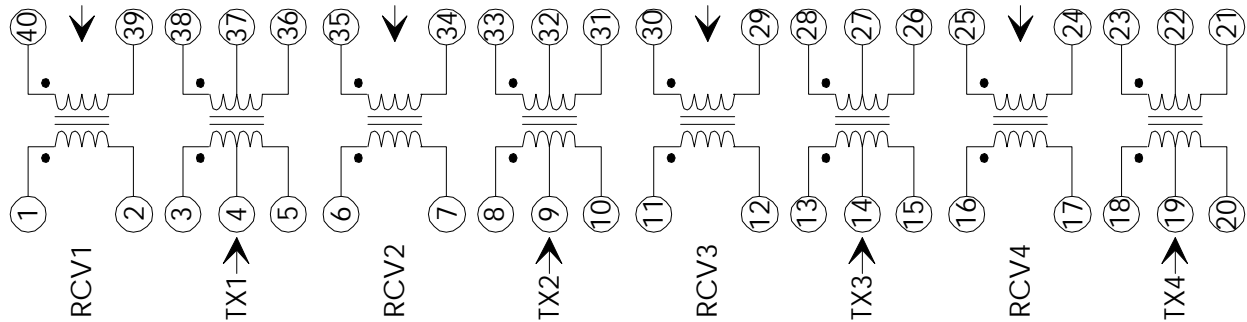
- ① Designed for 10 Base-T QUAD Port IEEE 802.3
- ② Versions For Support of most leading Chip Sets.
- ③ Provides the Cable Interface, Isolation & Common Mode Filtering required by the PMD Sublayer.
- ④ Space Efficient 40-Pin Surface Mount Package.

## ELECTRICAL SPECIFICATIONS AT 25°C

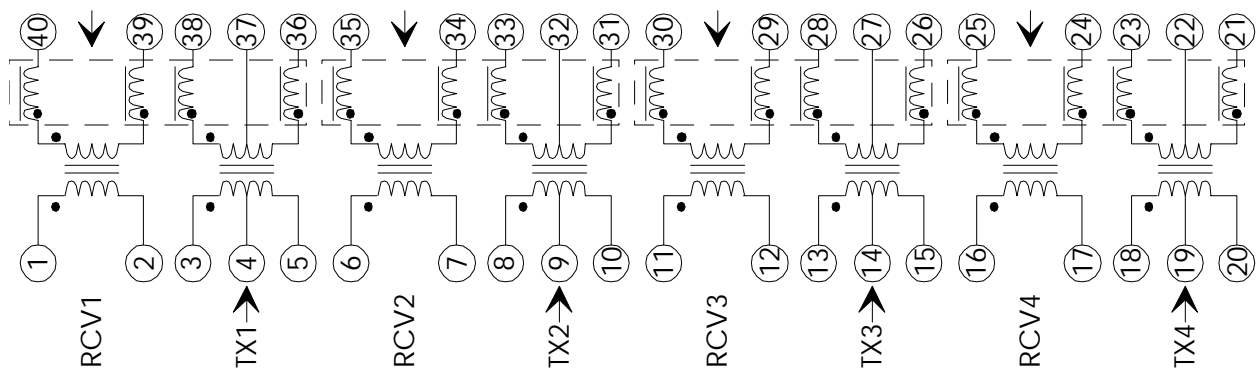
PART NUMBER	TURNSRATIO (PRI:SEC ±5%)		PRIMARY OCL (μH Min.)	PRI / SEC L <sub>L</sub> (μH Max.)	PRI-SEC Cw/w (pf Max.)	PRI DCR (Ω Max.)	Hi-Pot 1 min. (Vrms)	CMC	Schematic Diagram
	RCV	XMIT							
PM-8050	1:1	1ct:1ct	100	0.30	12	.30	2000	NO	A
PM-8051	1:1	1ct:1ct	100	0.30	12	.30	2000	YES (1)	B

(1) Common Mode Choke: 36μHY MIN.

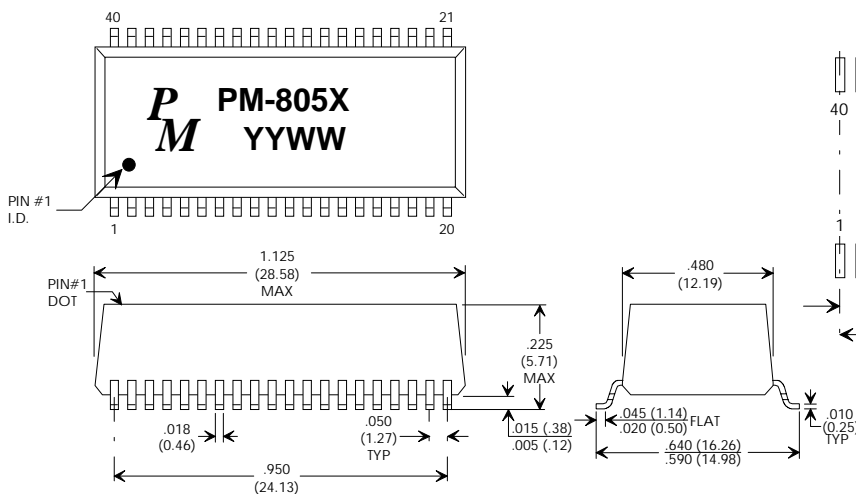
### SCHEMATIC DIAGRAM "A"



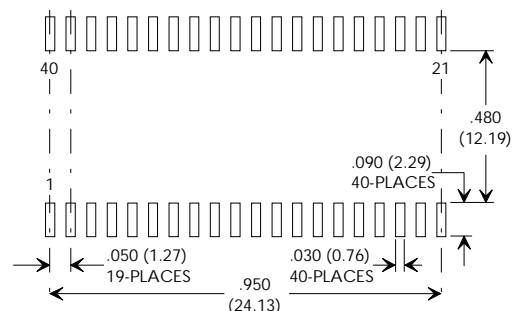
### SCHEMATIC DIAGRAM "B"



### PHYSICAL DIMENSIONS ..... IN INCHES (mm)



### RECOMMENDED P.C.B. LAYOUT



Specifications subject to change without notice.