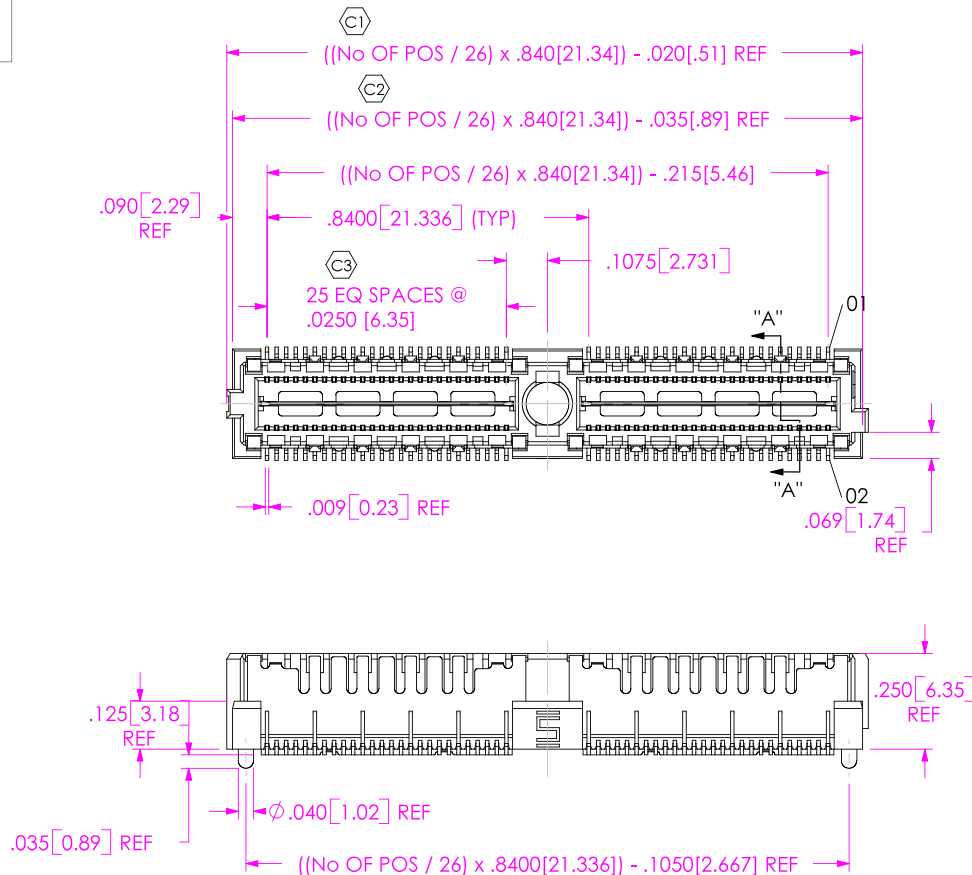


DO NOT SCALE FROM THIS PRINT

QMSS-XXX-XX-X-D-X-XXX



No OF POSITIONS

-026, -052, -078,
-104, *-130
(PER ROW)

LEAD STYLE

-11 (SEE FIG. 1)
*-16 (SEE FIG. 4, SHEET 3)
*-25 (SEE FIG. 4, SHEET 3)

PLATING SPECIFICATION

-L: LIGHT GOLD (USE T-1M19-XX-L)
-H: HEAVY GOLD (USE T-1M19-XX-H)
(ALL PLATING STYLES USE SH1-XX-L & T-1G19-XX-L)

ROW SPECIFICATION

-D: DOUBLE

OPTION

*-GP: GUIDE POSTS
(SEE FIG. 3, SHEET 2)
[NOT AVAILABLE WITH -PCX]
-K: KAPTON PAD
(SEE FIG. 2, SHEET 2)
-PC4: POWER COMBO 4
(SEE FIG. 5, SHEET 4)
-PC8: POWER COMBO 8
(SEE FIG. 5, SHEET 4)
[-PCX NOT AVAILABLE WITH -GP]
[-PCX AVAILABLE ON POSITIONS
-026, -052 & -078 ONLY AND ON
LEAD STYLE -011 ONLY]

OPTION

-A: ALIGNMENT PIN

* = NOT TOOLED

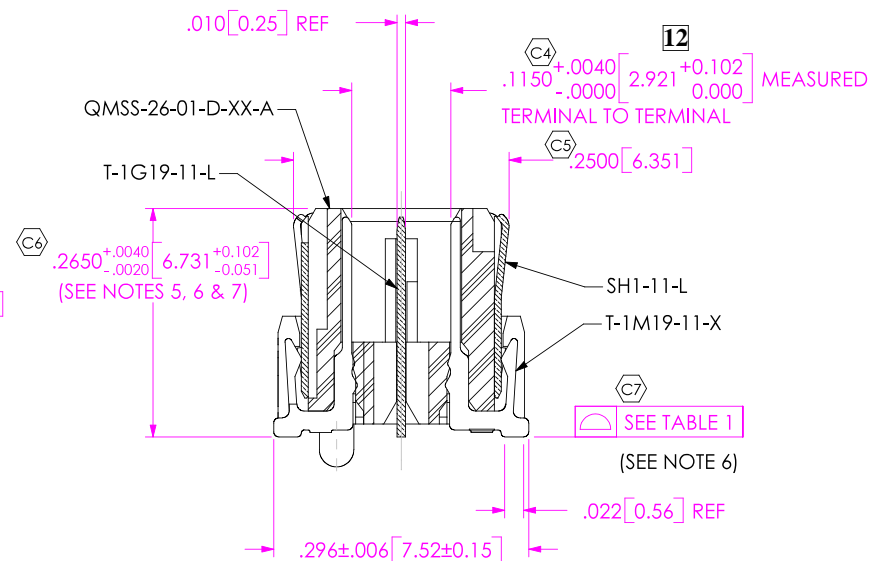


FIG. 1

-11 LEAD STYLE
(QMSS-052-11-X-D-A SHOWN)
(MATED HEIGHT WITH QSS-01: .433 [1.00] REF)

SECTION "A"-"A"
SCALE 4.5:1

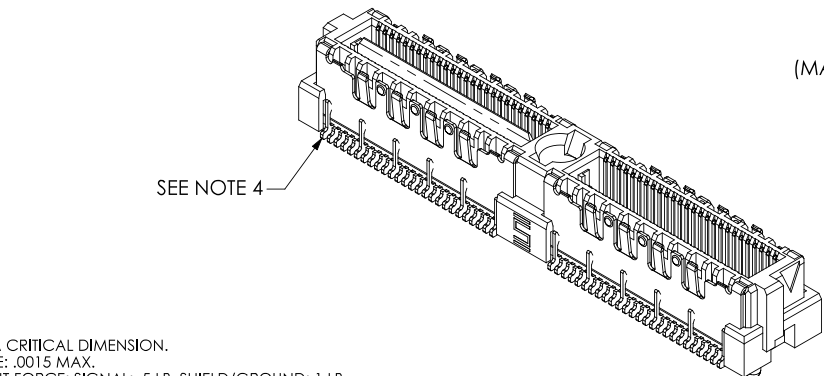


TABLE 1		
No OF POSITIONS	No OF BANKS	COPLANARITY
-026 THRU -078	1 THRU 3	.004[.10]
-104 AND -130	4 AND 5	.006[.15]

NOTES:

1. © REPRESENTS A CRITICAL DIMENSION.
2. BURR ALLOWANCE: .0015 MAX.
3. MINIMUM PUSHOUT FORCE: SIGNAL: .5 LB. SHIELD/GROUND: 1 LB.
4. TERMINALS IN THE FIRST ROW OF EACH BANK AND EVERY FIFTH ROW AFTER THAT WILL NOT BE SHEARED.
5. MAX VARIANCE OF .002.
6. DIMENSION APPLIES TO CONTACTS & GROUND PLANE.
7. GROUND PLANE PRESS HEIGHT MUST BE .003[.08] LESS THAN THE MAX HEIGHT OR .001[.03] GREATER THAN THE MINIMUM HEIGHT OF THE TERMINALS.

UNLESS OTHERWISE SPECIFIED, DIMENSIONS ARE IN INCHES.
TOLERANCES ARE:
DECIMALS ANGLES
.XX: ±.01 [.3] 2°
.XXX: ±.005 [.13]
.XXXX: ±.0020 [.051]

PROPRIETARY NOTE

THIS DOCUMENT CONTAINS INFORMATION CONFIDENTIAL AND PROPRIETARY TO SAMTEC, INC. AND SHALL NOT BE REPRODUCED OR TRANSFERRED TO OTHER DOCUMENTS OR DISCLOSED TO OTHERS OR USED FOR ANY PURPOSE OTHER THAN THAT WHICH IT WAS OBTAINED WITHOUT THE EXPRESSED WRITTEN CONSENT OF SAMTEC, INC.

MATERIAL: DO NOT SCALE DRAWING SHEET SCALE: 2:1
INSULATOR: INSULATOR: LCP, COLOR: BLACK
TERMINAL, GROUND PLANE, & SHIELD: PHOS BRONZE

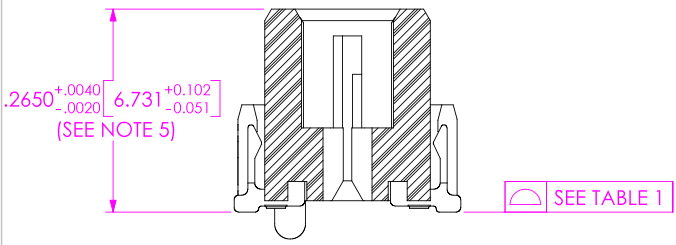


SAMTEC

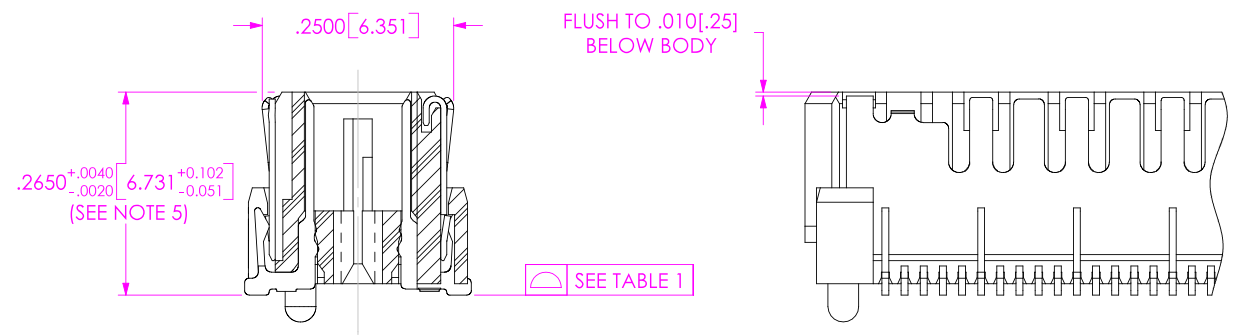
520 PARK EAST BLVD, NEW ALBANY, IN 47150
PHONE: 812.944.6733 FAX: 812.948.5047
e-Mail: INFO@SAMTEC.COM CODE: 55322

DESCRIPTION: .635mm DOUBLE ROW SHIELDED TERMINAL STRIP
DWG. NO. QMSS-XXX-XX-X-D-X-XXX
BY: CHAD F 05/23/2002 SHEET 1 OF 4

IN-PROCESS 1



IN-PROCESS 2



TERMINAL DETAILS

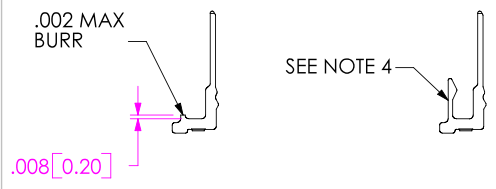


FIG. 3
-GP: GUIDE POST OPTION
(QMSS-052-11-X-D-A-GP SHOWN)
[NOT TOOLED]

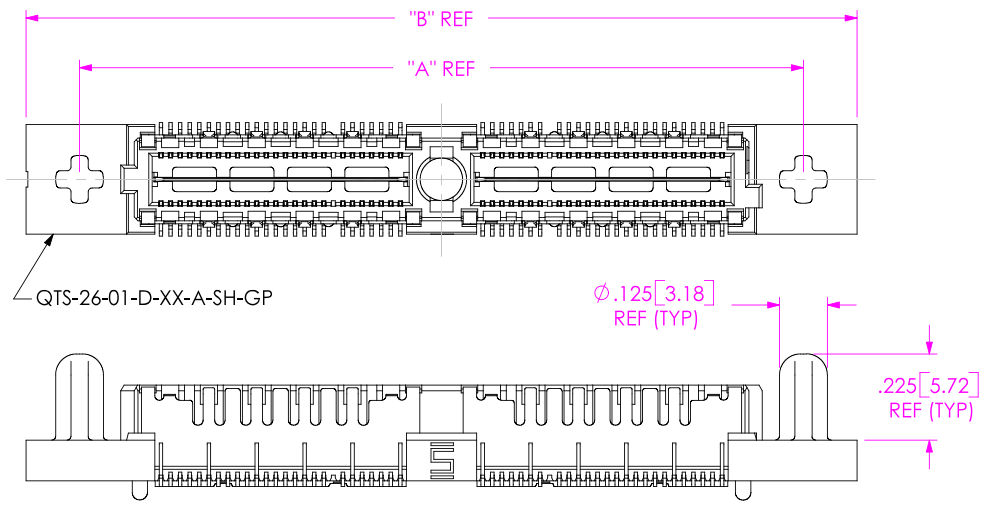
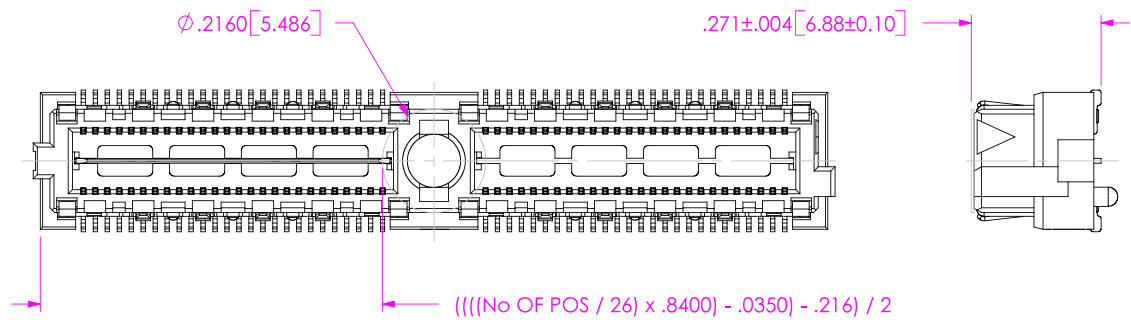


FIG. 2
-K: KAPTON PAD OPTION
(QMSS-052-11-X-D-A-K SHOWN)



ASSEMBLY	"A"	"B"
QMSS-026-01-X-D-A-GP	1.050[26.67]	1.330[33.78]
QMSS-052-01-X-D-A-GP	1.890[48.00]	2.170[55.12]
QMSS-078-01-X-D-A-GP	2.730[69.34]	3.010[76.45]
QMSS-104-01-X-D-A-GP	3.570[90.68]	3.850[97.79]
QMSS-130-01-X-D-A-GP	4.410[112.01]	4.690[119.13]

PROPRIETARY NOTE
THIS DOCUMENT CONTAINS INFORMATION
CONFIDENTIAL AND PROPRIETARY TO
SAMTEC, INC. AND SHALL NOT BE REPRODUCED
OR TRANSFERRED TO OTHER DOCUMENTS OR
DISCLOSED TO OTHERS OR USED FOR ANY
PURPOSE OTHER THAN THAT WHICH IT WAS
OBTAINED WITHOUT THE EXPRESSED WRITTEN
CONSENT OF SAMTEC, INC.

DO NOT SCALE DRAWING
SHEET SCALE: 2.5:1

SAMTEC

520 PARK EAST BLVD, NEW ALBANY, IN 47150
PHONE: 812.944.6733 FAX: 812.948.5047
e-Mail: INFO@SAMTEC.COM CODE: 55322

DESCRIPTION:
.635mm DOUBLE ROW SHIELDED TERMINAL STRIP
DWG. NO.
QMSS-XXX-XX-X-D-X-XXX
BY: CHAD F 05/23/2002 SHEET 2 OF 4

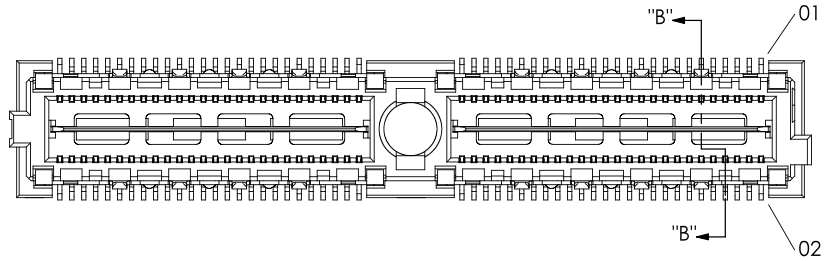


FIG. 4
 -16 & -25 LEAD STYLES
 (QMSS-052-16-X-D-A SHOWN)
 (SAME AS FIG. 1, EXCEPT AS SHOWN)

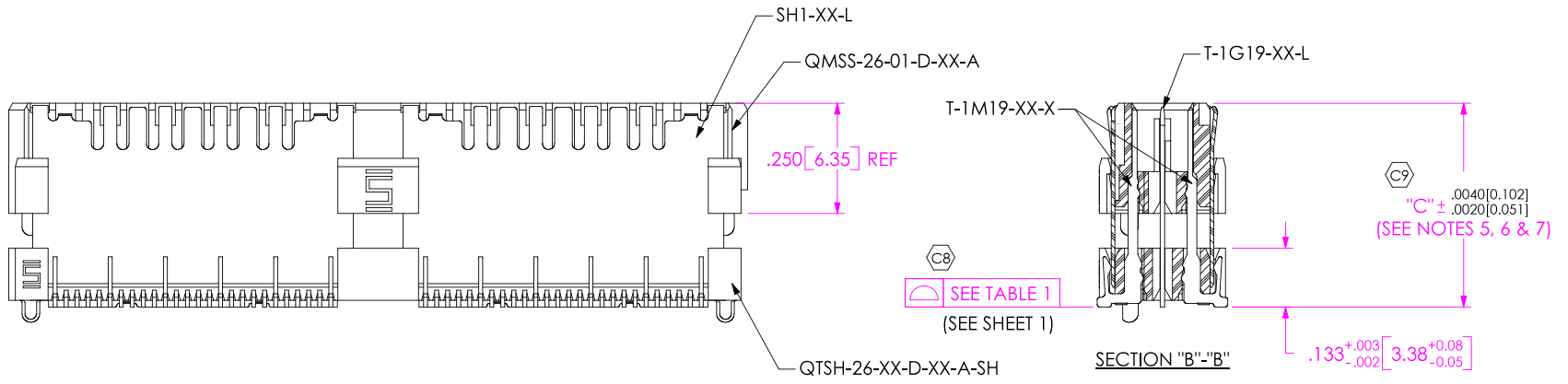
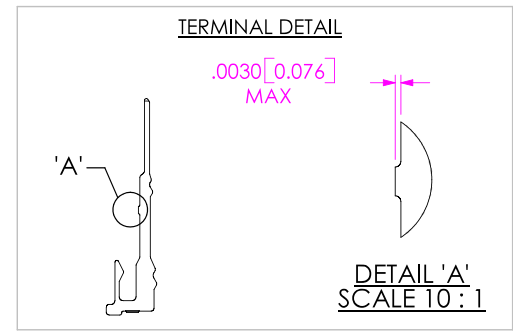
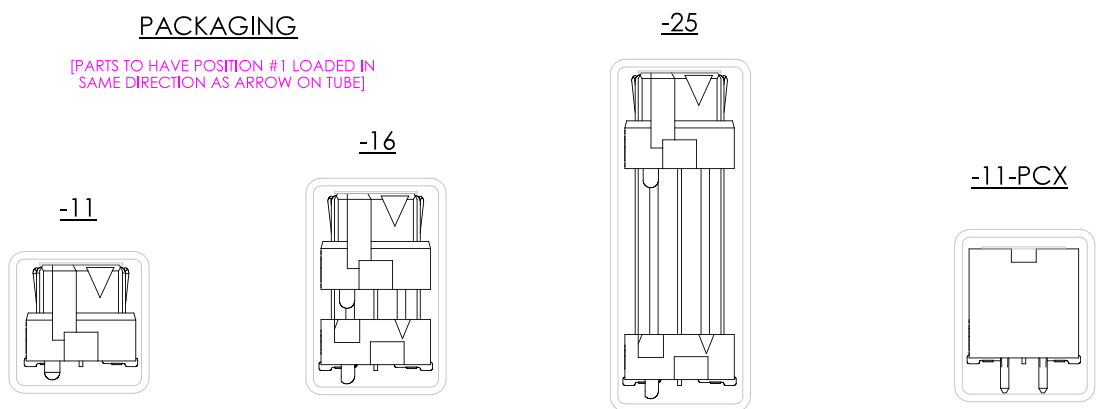


TABLE 3						MATED HEIGHT WITH QSS-01
LEAD STYLE	"C"	TERMINAL	GROUND PLANE	SHIELD	BOTTOM SPACER BODY	
-16	.4620 [11.735]	T-1M19-16-X	T-1G19-16-X	SH1-16-X	QTSH-26-01-D-XX-A-SH	.630 [16.00] REF
*-25	.8160 [20.726]	T-1M19-25-X	T-1G19-25-X	SH1-25-X	QTSH-26-01-D-XX-A-SH	.984 [25.00] REF

* = NOT TOOLED

PACKAGING

[PARTS TO HAVE POSITION #1 LOADED IN SAME DIRECTION AS ARROW ON TUBE]



TUBE: PT-1-24-01-128
 PLUG: TP-09

TUBE: PT-1-24-02-128
 PLUG: TP-09

TUBE: PT-1-24-03-128
 PLUG: TP-09

TUBE: PT-1-24-04-128
 PLUG: TP-09

PROPRIETARY NOTE
 THIS DOCUMENT CONTAINS INFORMATION CONFIDENTIAL AND PROPRIETARY TO SAMTEC, INC. AND SHALL NOT BE REPRODUCED OR TRANSFERRED TO OTHER DOCUMENTS OR DISCLOSED TO OTHERS OR USED FOR ANY PURPOSE OTHER THAN THAT WHICH IT WAS OBTAINED WITHOUT THE EXPRESSED WRITTEN CONSENT OF SAMTEC, INC.

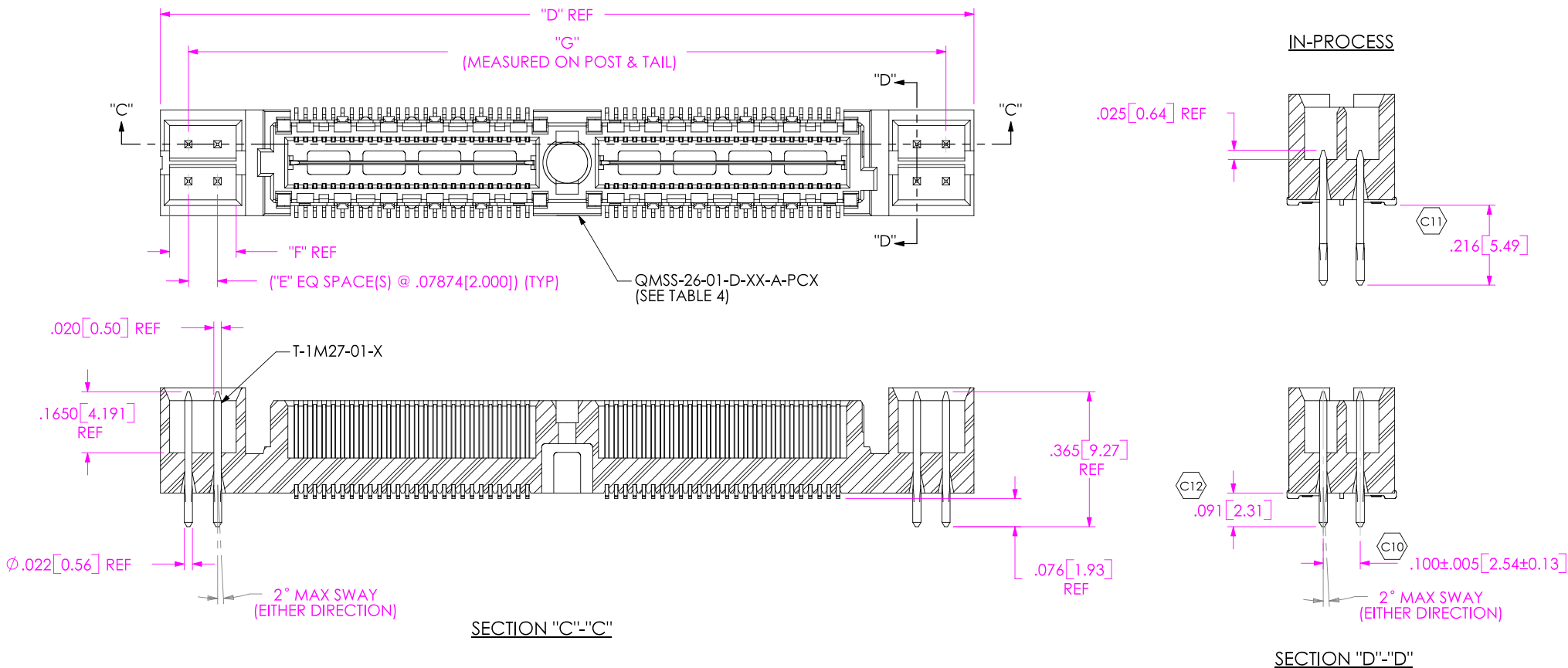
DO NOT SCALE DRAWING
 SHEET SCALE: 2.5:1

SAMTEC

520 PARK EAST BLVD, NEW ALBANY, IN 47150
 PHONE: 812.944.6733 FAX: 812.948.5047
 e-Mail: INFO@SAMTEC.COM CODE: 55322

DESCRIPTION:
 .635mm DOUBLE ROW SHIELDED TERMINAL STRIP
 DWG. NO.
QMSS-XXX-XX-X-D-X-XXX
 BY: CHAD F 05/23/2002 SHEET 3 OF 4

FIG. 5 -PCX OPTION
 POWER COMBO OPTIONS
 QMSS-052-11-X-D-PC4 SHOWN
 (SAME AS FIG. 1, UNLESS OTHERWISE STATED)
 [NOT AVAILABLE WITH -GP OPTION, AVAILABLE ON LEAD STYLE -11 ONLY]
 [AVAILABLE ON -026, -052 & -078 POSITIONS ONLY]



SECTION "C"-"C"

SECTION "D"-"D"

TABLE 4

ASSEMBLY	QMSS-26-01-D-XX-X-PCX	"D"	"E"	"F"	"G"
QMSS-026-01-X-D-X-PC4	QMSS-26-01-D-01-X-PC4	1.360[34.54]	1	.180[4.57]	1.209[30.71]
QMSS-026-01-X-D-X-PC8	QMSS-26-01-D-01-X-PC8	1.675[42.55]	3	.337[8.56]	1.524[38.71]
QMSS-052-01-X-D-X-PC4	QMSS-26-01-D-02-X-PC4	2.200[55.88]	1	.180[4.57]	2.049[52.04]
QMSS-052-01-X-D-X-PC8	QMSS-26-01-D-02-X-PC8	2.515[63.88]	3	.337[8.56]	2.364[60.05]
QMSS-078-01-X-D-X-PC4	QMSS-26-01-D-03-X-PC4	3.040[77.22]	1	.180[4.57]	2.889[73.38]
QMSS-078-01-X-D-X-PC8	QMSS-26-01-D-03-X-PC8	3.355[85.22]	3	.337[8.56]	3.204[81.38]

PROPRIETARY NOTE
 THIS DOCUMENT CONTAINS INFORMATION CONFIDENTIAL AND PROPRIETARY TO SAMTEC, INC. AND SHALL NOT BE REPRODUCED OR TRANSFERRED TO OTHER DOCUMENTS OR DISCLOSED TO OTHERS OR USED FOR ANY PURPOSE OTHER THAN THAT WHICH IT WAS OBTAINED WITHOUT THE EXPRESSED WRITTEN CONSENT OF SAMTEC, INC.

DO NOT SCALE DRAWING
 SHEET SCALE: 2.5:1

SAMTEC

520 PARK EAST BLVD, NEW ALBANY, IN 47150
 PHONE: 812.944.6733 FAX: 812.948.5047
 e-Mail: INFO@SAMTEC.COM CODE: 55322

DESCRIPTION:
 .635mm DOUBLE ROW SHIELDED TERMINAL STRIP
 DWG. NO.
QMSS-XXX-XX-X-D-X-XXX
 BY: CHAD F 05/23/2002 SHEET 4 OF 4