

PLEASE CHECK WWW.MOLEX.COM FOR LATEST PART INFORMATION

Part Number: [0190770024](#)
Status: **Active**
Description: Avikrimp™ Steel Star Ring Tongue Terminal 14-16 AWG Wire, Stud Size 8, Mylar Tape Carrier

Documents:

[Drawing \(PDF\)](#) [RoHS Certificate of Compliance \(PDF\)](#)

Agency Certification

CSA LR18689
 UL E32244

General

Product Family Ring and Spade Terminals
 Series [19077](#)
 Crimp Quality Equipment Yes
 Mil-Spec N/A
 Product Name Avikrimp™
 Type Ring

Physical

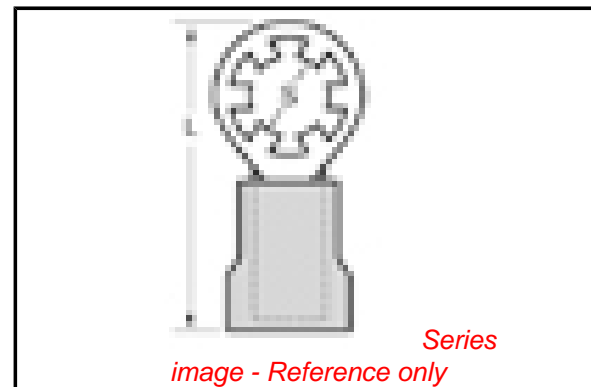
Barrel Type Closed
 Flammability 94V-2
 Insulation Nylon (PA)
 Material - Plating Mating Tin
 Packaging Type Adhesive Tape on Reel
 Plating min: Mating (µin) 100
 Plating min: Mating (µm) 2.5
 Plating min: Termination (µin) 100
 Plating min: Termination (µm) 2.5
 Stud Size 8 (M4)
 Termination Interface: Style Crimp or Compression
 Wire Insulation Diameter 4.29mm (.169") max.
 Wire Size AWG 14, 16
 Wire Size mm² 1.00 - 2.60

Material Info

Old Part Number SRB-S-829-08T

Reference - Drawing Numbers

Sales Drawing SD-19077-002



EU RoHS

ELV and RoHS Compliant
REACH SVHC
 Not Reviewed
Halogen-Free Status
Not Reviewed

China RoHS



Need more information on product environmental compliance?

Email productcompliance@molex.com
 For a multiple part number RoHS Certificate of Compliance, [click here](#)

Please visit the [Contact Us](#) section for any non-product compliance questions.

Search Parts in this Series

[19077Series](#)

Application Tooling | [FAQ](#)

Tooling specifications and manuals are found by selecting the products below. Crimp Height Specifications are then contained in the Application Tooling Specification document.

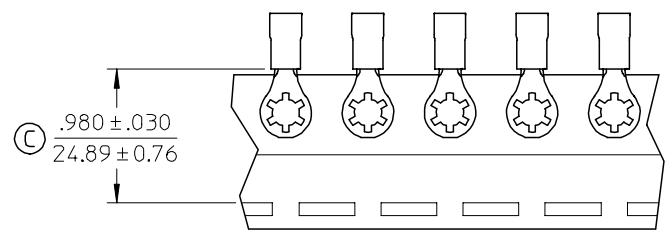
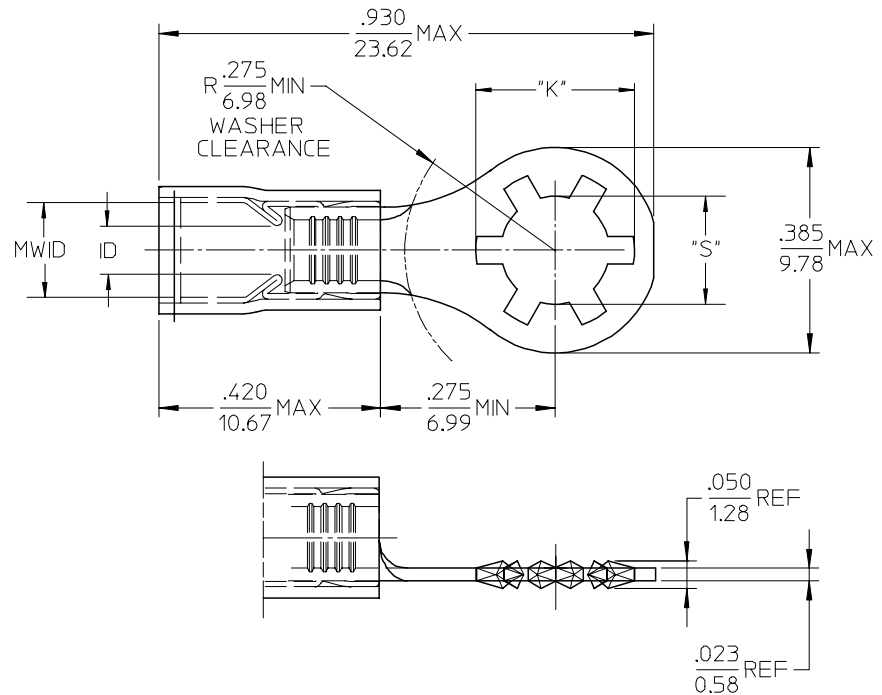
Global

Description	Product #
Crimp Dies for MTA-100 Tape Applicator used in 3BF Press, MTA-105 Tape Applicator used in TM-2000™ Press, and ATP-301 Air Crimping Press for Mylar Tape Mounted Terminals	0192880135
Mini-Mac™ Applicator for Insulkrimp™ and	0638852900

This document was generated on 03/18/2010

PLEASE CHECK WWW.MOLEX.COM FOR LATEST PART INFORMATION

MATERIAL NO.	ENG. NO.	MATERIAL NO. TAPE MOUNTED	ENG. NO. TAPE MOUNTED	STUD SIZE	"S" ±.005/.127	"K" REF DIA	WIRE RANGE AWG / MM ²	INSULATION COLOR	I.D. MIN	MWID
190770009	SRA-S-829-06	190770010	SRA-S-829-06T	6	.146 (3.71)	.236 (5.99)	22-18/.25-1.3	RED	.062/1.57	.138/3.51
190770011	SRA-S-829-08	190770012	SRA-S-829-08T	8	.173 (4.39)	.263 (6.68)				
190770013	SRA-S-829-10	190770014	SRA-S-829-10T	10	.198 (5.03)	.288 (7.32)				
190770021	SRB-S-829-06	190770022	SRB-S-829-06T	6	.146 (3.71)	.236 (5.99)	16-14/1.0-2.6	BLUE	.086/2.18	.169/4.29
190770023	SRB-S-829-08	190770024	SRB-S-829-08T	8	.173 (4.39)	.263 (6.68)				
190770025	SRB-S-829-10	190770026	SRB-S-829-10T	10	.198 (5.03)	.288 (7.32)				



SALES DRAWING

- NOTES:
1. MATERIAL: STEEL.
PLATING: ELECTROPLATE TIN.
 2. FERRULE: BRASS ELECTROPLATE TIN.
PLATING: ELECTROPLATE TIN.
 3. INSULATION: NYLON.
 4. MWID=MAXIMUM WIRE INSULATION DIA.
 5. ALL DIMENSIONS IN INCHES (MM).
 6. ALL COMPONENTS ARE ROHS COMPLIANT. (C)

MODIFY TOL. EC NO: ETC2006-0425 DRWN: CYORK 2006/05/08 CHKD: JMACNEIL 2006/05/11 APPR: RDEROSS 2006/05/11	QUALITY SYMBOLS	GENERAL TOLERANCES (UNLESS SPECIFIED)	SCALE 1:1	DESIGN UNITS INCH	THIRD ANGLE PROJECTION	REVISE ON CAD ONLY
	DESCRIPTION	mm INCH	DIMENSION STYLE IN/MM		TITLE	
	▲ -0	4 PLACES ± --- ± ---	DRAWN BY DATE DMYRICK 03/12/22		AVIKRIMP STEEL STAR RING TONGUE TERMINALS	
	▽ -0	3 PLACES ± --- ±.005	CHECKED BY DATE SBEITZEL 03/12/22			
REV	2 PLACES ±0.13 ±.01	APPROVED BY DATE RDEROSS 03/12/22		MATERIAL NO. SEE CHART		DOCUMENT NO. SD-19077-002
	1 PLACE ±0.25 ± ---	DRAFT WHERE APPLICABLE MUST REMAIN WITHIN DIMENSIONS		MOLEX INCORPORATED		SHEET NO. 1 OF 1
	ANGULAR ±1/2°			THIS DRAWING CONTAINS INFORMATION THAT IS PROPRIETARY TO MOLEX INCORPORATED AND SHOULD NOT BE USED WITHOUT WRITTEN PERMISSION		