

**8-BIT MCU FOR RDS WITH 48K ROM, 3K RAM, ADC,
TWO TIMERS, TWO SPIs, I²C AND SCI INTERFACES**

- 4.5V to 5.5V Supply Operating Range
- Operates at 8.664MHz Oscillator Frequency for RDS compatibility
- Fully Static operation
- -40°C to + 85°C Maximum Operating Temperature Range
- Run, Wait, Slow, Halt and RAM Retention modes
- User ROM: 48 Kbytes
- Data RAM: 3 Kbytes, including 128 byte stack
- 80 pin plastic package
- 62 multifunctional bidirectional I/O lines:
 - Programmable Interrupt inputs on some I/Os
 - 8 Analog inputs
 - EMI filtering
- Two 16-bit Timers, each featuring:
 - 2 Input Captures
 - 2 Output Compares
 - External Clock input (on Timer A)
 - PWM and Pulse Generator modes
- RDS Radio Data System Filter, Demodulator and GBS circuits
- 8-bit Analog-to-Digital converter with 8 channel analog multiplexer
- Digital Watchdog
- Two SPI Serial Peripheral Interfaces
- SCI Serial Communications Interface
- Full I²C multiple Master/Slave interface
- 2KHz Beep signal generator
- Master Reset and Power-On Reset
- 8-bit Data Manipulation
- 63 Basic Instructions
- 17 main Addressing Modes
- 8 x 8 Unsigned Multiply Instruction
- True Bit Manipulation
- Complete Development Support on PC/DOS/Windows™ Real-Time Emulator
- Full Software Package (C-Compiler, Cross-Assembler, Debugger)

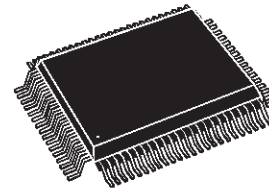
**PQFP80**

Table of Contents

ST7285C	1
1 GENERAL DESCRIPTION	5
1.1 INTRODUCTION	5
1.2 PIN DESCRIPTION	6
1.3 MEMORY MAP	10
2 CENTRAL PROCESSING UNIT	13
2.1 INTRODUCTION	13
2.2 CPU REGISTERS	13
3 CLOCKS, RESET, INTERRUPTS & POWER SAVING MODES	15
3.1 CLOCK SYSTEM	15
3.1.1 General Description	15
3.1.2 Crystal Resonator	15
3.1.3 Ceramic Resonator	16
3.1.4 External Clock	16
3.2 MISCELLANEOUS REGISTER	17
3.3 RESETS	18
3.3.1 Introduction	18
3.3.2 External Reset	18
3.3.3 Reset Operation	18
3.3.4 Power-on Reset	18
3.4 WATCHDOG TIMER SYSTEM (WDG)	19
3.4.1 Introduction	19
3.4.2 Functional Description	19
3.4.3 Watchdog Register	19
3.5 INTERRUPTS	20
3.6 POWER SAVING MODES	22
3.6.1 Slow Mode	22
3.6.2 Wait Mode	22
3.6.3 Halt Mode	23
4 ON-CHIP PERIPHERALS	24
4.1 I/O PORTS	24
4.1.1 Introduction	24
4.1.2 Generic I/O Features	24
4.1.3 I/O Port Implementation	27
4.2 SERIAL COMMUNICATIONS INTERFACE	28
4.2.1 Introduction	28
4.2.2 Features	28
4.2.3 Serial Data Format	28
4.2.4 Data Reception and Transmission	28
4.2.5 Receiver Muting and Wake-up Feature	28
4.2.6 Baud Rate Generation	29
4.2.7 SCI Register Overview	29
4.3 16-BIT TIMER	35
4.3.1 Introduction	35
4.3.2 Counter	35

Table of Contents

4.3.3	External Clock	37
4.3.4	Input Capture	39
4.3.5	Output Compare	40
4.3.6	Timer Registers	43
4.4	SERIAL PERIPHERAL INTERFACE	45
4.4.1	Introduction	45
4.4.2	Features	45
4.4.3	Functional Description	45
4.4.4	Signal Description	47
4.4.5	Master Out Slave In (MOSI)	47
4.4.6	Master In Slave Out (MISO)	47
4.4.7	Serial Peripheral Control Register (SPCR)	50
4.4.8	Serial Peripheral Status Register (SPSR)	51
4.4.9	Serial Peripheral Data I/O Register (SPDR)	53
4.4.10	Single Master And Multimaster Configurations	53
4.5	I2C BUS INTERFACE	54
4.5.1	Introduction	54
4.5.2	General Features	54
4.5.3	Functional Description	54
4.5.4	EPROM/ROM I C COMPATIBILITY APPLICATION NOTE	56
4.5.5	Register Description	57
4.5.6	I2C State Machine:	61
4.6	A/D CONVERTER (ADC)	64
4.6.1	Introduction	64
4.6.2	Functional Description	64
4.6.3	Register Description	65
4.7	RDS FILTER	66
4.7.1	Features	66
4.7.2	Functional Description	67
4.8	RDS DEMODULATOR	68
4.8.1	Features	68
4.8.2	Functional Description	69
4.9	RDS G.B.S	72
4.9.1	Introduction	72
4.9.2	Features	72
4.9.3	Functional Description	74
4.9.4	Acquisition of Group and Block Synchronization	77
4.9.5	Application Tips	77
4.9.6	Block Synchronization Software	77
4.9.7	Error Correction software	77
5	SOFTWARE	78
5.1	ST7 ARCHITECTURE	78
5.2	ST7 ADDRESSING MODES	78
5.3	ST7 INSTRUCTION SET	83
6	ELECTRICAL CHARACTERISTICS	86
6.1	ABSOLUTE MAXIMUM RATINGS	86
6.2	POWER CONSIDERATIONS	87

Table of Contents

6.3 DC ELECTRICAL CHARACTERISTICS	88
6.4 AC ELECTRICAL CHARACTERISTICS	89
6.5 CONTROL TIMING	89
7 GENERAL INFORMATION	96
7.1 PACKAGE MECHANICAL DATA	96
ST72E85	
ST72T85	97
1 GENERAL DESCRIPTION	98
1.1 INTRODUCTION	98
1.2 PIN DESCRIPTION	99
1.3 MEMORY MAP	103
1.4 EPROM ERASURE	105
1.5 EPROM/ROM I C COMPATIBILITY APPLICATION NOTE	106
2 ELECTRICAL CHARACTERISTICS	107
2.1 ABSOLUTE MAXIMUM RATINGS	107
2.2 POWER CONSIDERATIONS	108
2.3 DC ELECTRICAL CHARACTERISTICS	109
2.4 AC ELECTRICAL CHARACTERISTICS	110
2.5 CONTROL TIMING	110
3 GENERAL INFORMATION	117
3.1 PACKAGE MECHANICAL DATA	117

1 GENERAL DESCRIPTION

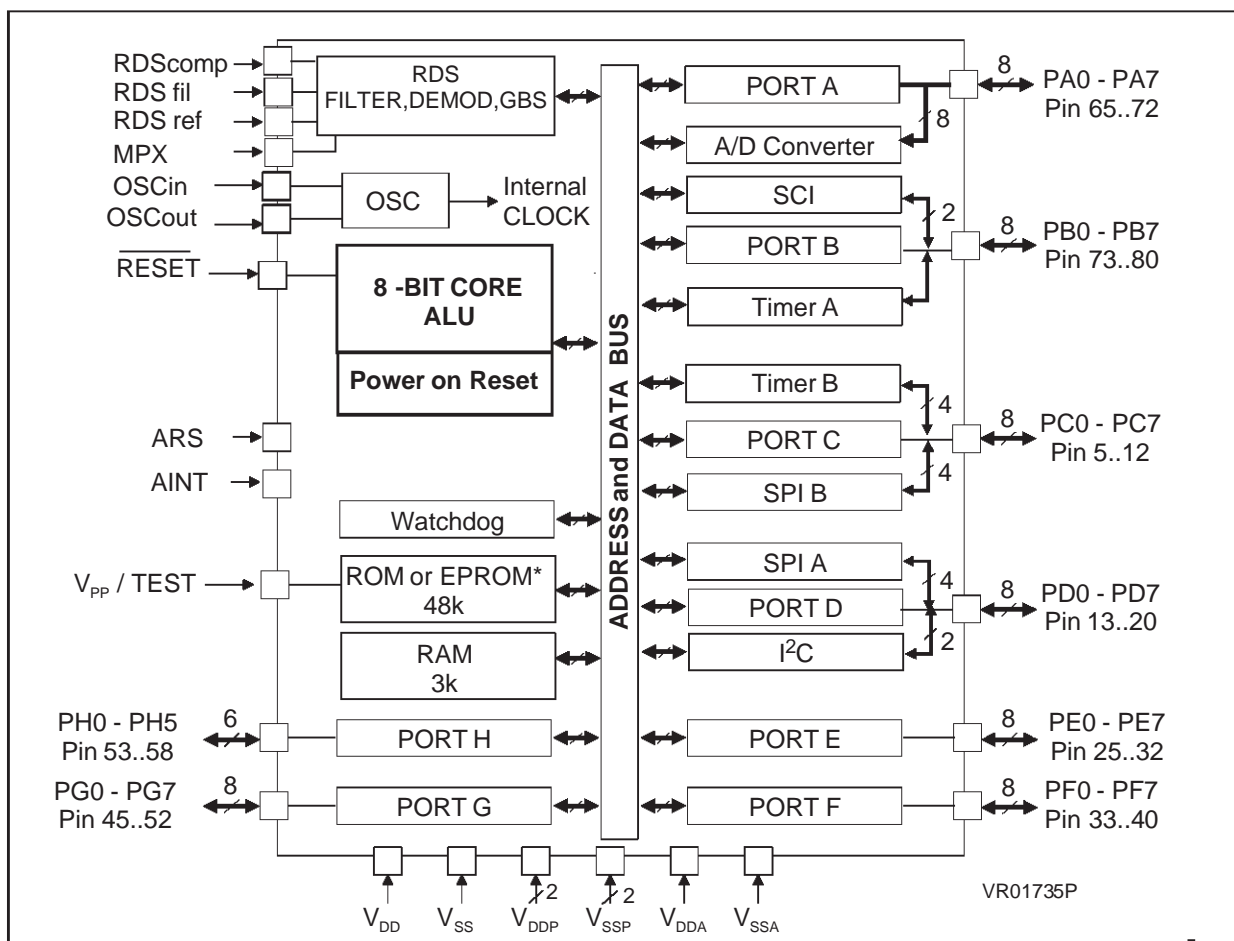
1.1 INTRODUCTION

The ST7285C HCMOS Microcontroller Unit is a member of the ST7 family of Microcontrollers dedicated to car radio applications with RDS capability. The device is based on an industry-standard 8-bit core and features an enhanced instruction set. The device is normally operated at an 8.664MHz oscillator frequency for RDS compatibility but, thanks to the fully static design, operation is possible down to DC, when RDS functionality is not required. Under software control, the ST7285C may be placed in either WAIT, SLOW or HALT modes, thus reducing power consumption. The enhanced instruction set and addressing modes afford real programming potential. In addition to standard 8-bit data management, the ST7285C features true bit manipulation, 8x8 unsigned multiplication and indirect addressing modes.

The device includes an on-chip oscillator, CPU, ROM, RAM, 62 I/O lines and the following on-chip peripherals: Analog-to-Digital converter (ADC), two industry standard SPI serial interfaces, a Serial Communications Interface, an I²C interface, a digital Watchdog Timer, two independent 16-bit Timers, one featuring an External Clock Input, and both featuring Pulse Generator capabilities, 2 Input Captures and 2 Output Compares. RDS Filter, Demodulator and GBS circuitry for car radio applications is also included.

NOTE: FOR THIS DEVICE, SGS-THOMSON CAN ONLY RECEIVE MOTOROLA S19 FORMAT FOR ROM CODES.

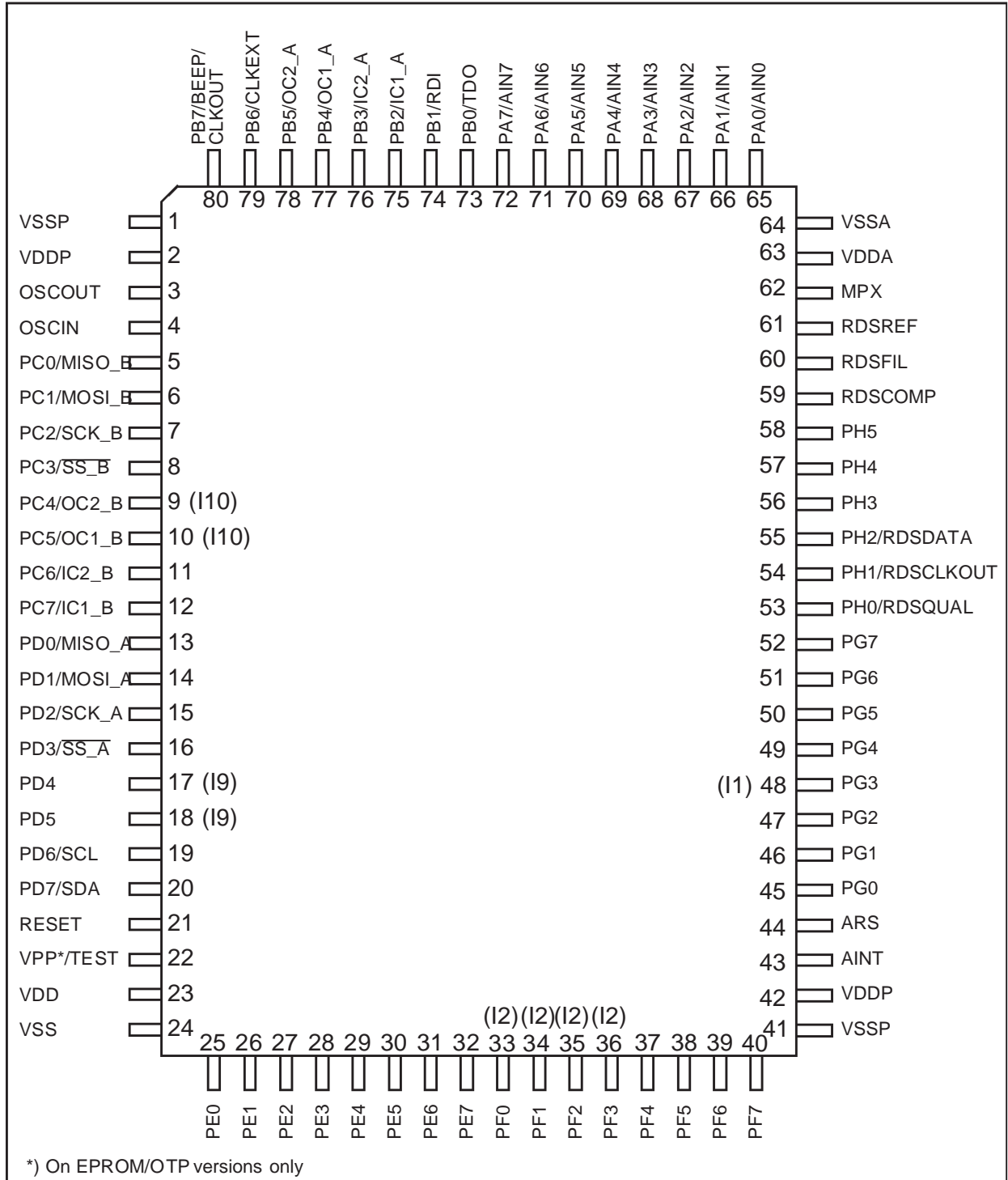
Figure 1. ST7285C Block Diagram



*On EPROM or OTP versions only.

1.2 PIN DESCRIPTION

All I/Os from Port A to Port D, as well as PH0, 1 and 2, feature alternate function compatibility. Software selectable input pull-ups are available on ports featuring interrupt capability (PC4, PC5, PD4, PD5, PF0-PF3, PG3).



Pin	Pin Name(s)	Basic Function	Alternate Function	Remarks
1	V _{SSP}	Ground for Output Buffers	-	This pin is connected to pin 41
2	V _{DDP}	Power Supply for Output Buffers		This pin is connected to pin 42
3	OSCO _{UT}	Oscillator Output pin.		
4	OSCI _N	Oscillator Input pin.		
5	PC0/MISO _B	I/O Port PC0	SPI B master in/slave out data input/output	Alternate function or I/O. The I/O configuration is software selectable as triggered input or push pull output.
6	PC1/MOSI _B	I/O Port PC1	SPI B Master Out/ Slave In Data Input/ Output	
7	PC2/SCK _B	I/O Port PC2	SPI B Serial Clock	
8	PC3/SS _B	I/O Port PC3	SPI B Slave Select	
9	PC4/OC2 _B	I/O Port PC4	Output Compare 2 on Timer B	Alternate function or I/O. Software selectable as triggered input, push pull output, or triggered interrupt input with pull up (Interrupt I10).
10	PC5/OC1 _B	I/O Port PC5	Output Compare 1 on Timer B	
11	PC6/IC2 _B	I/O Port PC6	Input Capture 2 on Timer B	Alternate function or I/O. The I/O configuration is software selectable as triggered input or push pull output.
12	PC7/IC1 _B	I/O Port PC7	Input Capture 1 on Timer B.	
13	PD0/MISO _A	I/O Port PD0	SPI A Master In/Slave Out Data Input/Output	
14	PD1/MOSI _A	I/O Port PD1	SPI A Master Out/ Slave In data Input/ Output	
15	PD2/SCK _A	I/O Port PD2	SPI A Serial Clock	
16	PD3/SS _A	I/O Port PD3	SPI A Slave Select	Software selectable as triggered input, push pull output, open drain output or triggered interrupt input with pull up (Interrupt I9).
17	PD4	I/O Port PD4	-	
18	PD5	I/O Port PD5	-	
19	PD6/SCL	I/O Port PD6	I ² C Serial Clock	Alternate function or I/O. The I/O configuration is software selectable as triggered input or open drain output.
20	PD7/SDA	I/O Port PD7	I ² C Serial Data	
21	RESET	General Reset	-	Bidirectional. An active low signal forces MCU initialization. This event is the top priority non-maskable interrupt. As an output, it can be used to reset external peripherals.
22	TEST	RESERVED	-	Input. This pin MUST be tied directly to V _{SS} during normal operation.
23	V _{DD}	Power Supply for all logic circuitry	-	Except for output buffers and pull-ups.
24	V _{SS}	Ground for all logic circuitry	-	
25	PE0	I/O Port PE0	-	Software selectable as triggered input or push pull output.
26	PE1	I/O Port PE1	-	
27	PE2	I/O Port PE2	-	
28	PE3	I/O Port PE3	-	
29	PE4	I/O Port PE4	-	
30	PE5	I/O Port PE5	-	
31	PE6	I/O Port PE6	-	
32	PE7	I/O Port PE7	-	

Pin	Pin Name(s)	Basic Function	Alternate Function	Remarks
33	PF0	I/O Port PF0	-	Software selectable as triggered input, a push pull output, open drain output, or triggered interrupt input with pull up (Interrupt I2).
34	PF1	I/O Port PF1	-	
35	PF2	I/O Port PF2	-	
36	PF3	I/O Port PF3	-	
37	PF4	I/O Port PF4	-	
38	PF5	I/O Port PF5	-	
39	PF6	I/O Port PF6	-	
40	PF7	I/O Port PF7	-	Software selectable as a triggered input or as a push pull output.
41	V _{SSP}	Ground for Output Buffers.	-	This pin is connected to pin 1.
42	V _{DDP}	Power Supply for Output Buffers	-	This pin is connected to pin 2.
43	AINT	Reserved	-	Must be tied to 5V
44	ARS	Reserved	-	Must be tied to 5V
45	PG0	I/O Port PG0	-	Software selectable as triggered input or push pull output.
46	PG1	I/O Port PG1	-	
47	PG2	I/O Port PG2	-	
48	PG3	I/O Port PG3	-	Software selectable as triggered input, a push pull output, open drain output, or triggered interrupt input with pull up (Interrupt I1).
49	PG4	I/O Port PG4	-	Software selectable as triggered input or push pull output. Note that PH0, 1, 2 offer alternate function capabilities for test purposes.
50	PG5	I/O Port PG5	-	
51	PG6	I/O Port PG6	-	
52	PG7	I/O Port PG7	-	
53	PH0/ RDSQUAL	I/O Port PH0	RDS Quality signal	
54	PH1/ RDSCLKOUT	I/O Port PH1	RDS GBS Clock Out signal	
55	PH2/ RDSDATA	I/O Port PH2	RDS GBS Data signal	
56	PH3	I/O Port PH3	-	Software selectable as triggered input or high voltage (10V max) open drain output.
57	PH4	I/O Port PH4	-	
58	PH5	I/O Port PH5	-	
59	RDSCOMP	RDS Comp Input signal		Used to feed the Demodulator from an external filter when the internal filter is switched off.
60	RDSFIL	RDS Filtered Output signal		Used for Demodulator test purposes.
61	RDSREF	RDS Input Reference		
62	MPX	RDS input signal		
63	V _{DDA}	Analog Power Supply		For RDS and ADC circuits
64	V _{SSA}	Analog Ground		
65	PA0/AIN0	I/O Port PA0	Analog input to ADC	Alternate function or I/O. The I/O configuration is software selectable as triggered input or push pull output. Note that when a pin is used as Analog input it must not be configured as an output to avoid conflicts with the analog voltage to be measured.
66	PA1/AIN1	I/O Port PA1		
67	PA2/AIN2	I/O Port PA2		
68	PA3/AIN3	I/O Port PA3		
69	PA4/AIN4	I/O Port PA4		
70	PA5/AIN5	I/O Port PA5		
71	PA6/AIN6	I/O Port PA6		
72	PA7/AIN7	I/O Port PA7		

Pin	Pin Name(s)	Basic Function	Alternate Function	Remarks
73	PB0/TDO	I/O Port PB0	SCI Transmit Data Out	Alternate function or I/O. The I/O configuration is software selectable as triggered input or push pull output.
74	PB1/RDI	I/O Port PB1	SCI Receive Data In	
75	PB2/IC1_A	I/O Port PB2	Input capture 1 on Timer A	
76	PB3/IC2_A	I/O Port PB3	Input capture 2 on Timer A	
77	PB4/OC1_A	I/O Port PB4	Output compare 1 on Timer A	
78	PB5/OC2_A	I/O Port PB5	Output compare 2 on Timer A	
79	PB6/CLKEXT	I/O Port PB6	External Clock on Timer A	
80	PB7/BEEP/CLKOUT	I/O Port PB7	BEEP or CPU Clock.	This pin can be a push pull output delivering the Beep signal (2KHz) or the CPU clock, according to the miscellaneous register settings.

1.3 MEMORY MAP

Table 1. Memory Map

Address	Block	Register name	Reset Status	Remarks
0000h	Port A	Data Reg	00h	R/W Register
0001h		Data Direction Reg	00h	R/W Register
0002h		Not Used		Absent
0003h		Not Used		Absent
0004h	Port B	Data Reg	00h	R/W Register
0005h		Data Direction Reg	00h	R/W Register
0006h		Not Used		Absent
0007h		Not Used		Absent
0008h	Port C	Data Reg	00h	R/W Register
0009h		Data Direction Reg	00h	R/W Register
000Ah		Option Reg	--00----b	R/W Register
000Bh		Not Used		Absent
000Ch	Port D	Data Reg	00h	R/W Register
000Dh		Data Direction Reg	00h	R/W Register
000Eh		Option Reg	--00----b	R/W Register
000Fh		Not Used		Absent
0010h	Port E	Data Reg	00h	R/W Register
0011h		Data Direction Reg	00h	R/W Register
0012h		Not Used		Absent
0013h		Not Used		Absent
0014h	Port F	Data Reg	00h	R/W Register
0015h		Data Direction Reg	00h	R/W Register
0016h		Option Reg	---0000b	R/W Register
0017h		Not Used		Absent
0018h	Port G	Data Reg	00h	R/W Register
0019h		Data Direction Reg	00h	R/W Register
001Ah		Option Reg	----0---b	R/W Register
001Bh		Not Used		Absent
001Ch	Port H	Data Reg	00h	R/W Register
001Dh		Data Direction Reg	00h	R/W Register
001Eh		Not Used		Absent
001Fh		Not Used		Absent
0020h	Miscellaneous Register		00h	see register description
0021h	SPI A	Data I/O Reg	XXh	R/W Register
0022h		Control Reg	0xh	R/W Register
0023h		Status Reg	00h	Read Only Register
0024h	WDG	Watchdog register	7Fh	see register description
0025h	SPI B	Data I/O Reg	XXh	R/W Register
0026h		Control Reg	0xh	R/W Register
0027h		Status Reg	00h	Read Only Register

Address	Block	Register name	Reset Status	Remarks
0028h	I ² C	CR: Control Register	00h	R/W Register
0029h		SR1: Status Register 1	00h	Read Only Register
002Ah		SR2: Status Register 2	00h	Read Only Register
002Bh		CCR: Clock Control Register	00h	R/W Register
002Ch		OAR1: Own Address Register 1	00h	R/W Register
002Dh		OAR2: Own Address Register 2	00h	R/W Register
002Eh		DR: Data Register	00h	R/W Register
002Fh	RESERVED			
0030h	RESERVED			
0031h	Timer A	Control Reg2	00h	R/W Register
0032h		Control Reg1	00h	R/W Register
0033h		Status Reg	XXh	Read Only Register
0034h		Input Capture1 High Register	XXh	Read Only Register
0035h		Input Capture1 Low Register	XXh	Read Only Register
0036h		Output Compare1 High Register	XXh	R/W Register
0037h		Output Compare1 Low Register	XXh	R/W Register
0038h		Counter High Register	FFh	Read Only Register
0039h		Counter Low Register	FCh	Read Only Register
003Ah		Alternate Counter High Register	00h	Read Only Register
003Bh		Alternate Counter Low Register	00h	Read Only Register
003Ch		Input Capture2 High Register	XXh	Read Only Register
003Dh		Input Capture2 Low Register	XXh	Read Only Register
003Eh		Output Compare2 High Register	XXh	R/W Register
003Fh		Output Compare2 Low Register	XXh	R/W Register
0040h	RESERVED			
0041h	Timer B	Control Reg2	00h	R/W Register
0042h		Control Reg1	00h	R/W Register
0043h		Status Reg	XXh	Read Only Register
0044h		Input Capture1 High Register	XXh	Read Only Register
0045h		Input Capture1 Low Register	XXh	Read Only Register
0046h		Output Compare1 High Register	XXh	R/W Register
0047h		Output Compare1 Low Register	XXh	R/W Register
0048h		Counter High Register	FFh	Read Only Register
0049h		Counter Low Register	FCh	Read Only Register
004Ah		Alternate Counter High Register	00h	Read Only Register
004Bh		Alternate Counter Low Register	00h	Read Only Register
004Ch		Input Capture2 High Register	XXh	Read Only Register
004Dh		Input Capture2 Low Register	XXh	Read Only Register
004Eh		Output Compare2 High Register	XXh	R/W Register
004Fh		Output Compare2 Low Register	XXh	R/W Register
0050h	SCI	SCSR: Status Register	1100000xb	Read Only Register
0051h		SCDR: Data Register	XXh	R/W Register
0052h		SCBRR: Baud Rate Register	00x----xb	R/W Register
0053h		SCCR1: Control Register 1	XXh	R/W Register
0054h		SCCR2: Control Register 2	00h	R/W Register
0055h		PSCBRR: Receive Baud Rate Reg	00h	R/W Register
0056h		Reserved	---	Reserved ST use
0057h		PSCBRT: Transmit Baud Rate Reg	00h	R/W Register
0058h	RESERVED			
0059h	RESERVED			
005Ah	RDS Filter	RDS FI1		R/W Register
005Bh		RDS FI2		R/W Register

Address	Block	Register name	Reset Status	Remarks
005Ch 005Dh 005Eh 005Fh	RDS Demodulator	RDS DE1 RDS DE2 RDS DE3 RDS DE4		see register description
0060h 0061h 0062h 0063h 0064h 0065h 0066h 0067h 0068h 0069h 006Ah 006Bh 006Ch 006Dh 006Eh 006Fh	RDS GBS	SR0 -Shift Reg 0 SR1 -Shift Reg 1 SR2 -Shift Reg 2 SR3 -Shift Reg 3 SY0 -Polynomial Reg 0 SY1 -Polynomial Reg 1 GS_CNT Count Reg GS_INT Interrupt Reg DR0 -RDSDAT Reg 0 DR1 -RDSDAT Reg 1 DR2 -RDSDAT Reg 2 DR3 -RDSDAT Reg 3 QR0 -QUALITY Reg 0 QR1 -QUALITY Reg 1 QR2 -QUALITY Reg 2 QR3 -QUALITY Reg 3		see register description
0070h 0071h	ADC	Data Reg Control/Status Reg	XXh 00h	Read Only Register R/W Register
0072h to 007Fh	RESERVED			
0080h to 0BFFh 0C00h to 0C7Fh	RAM 3K Bytes of which STACK 128 Bytes	User variables and subroutine nesting		
0C80h to 3FFFh	RESERVED			
4000h to FFDFh	ROM 48K bytes (49120 bytes)	User application code and data		
FFE0h to FFFFh	User vectors	Interrupt and Reset Vectors		

2 CENTRAL PROCESSING UNIT

2.1 INTRODUCTION

The CPU has a full 8-bit architecture. Six internal registers allow efficient 8-bit data manipulation. The CPU is capable of executing 63 basic instructions and features 17 main addressing modes.

2.2 CPU REGISTERS

The 6 CPU registers are shown in the programming model in Figure 2. Following an interrupt, all registers except Y are pushed onto the stack in the order shown in Figure 3. They are popped from stack in the reverse order.

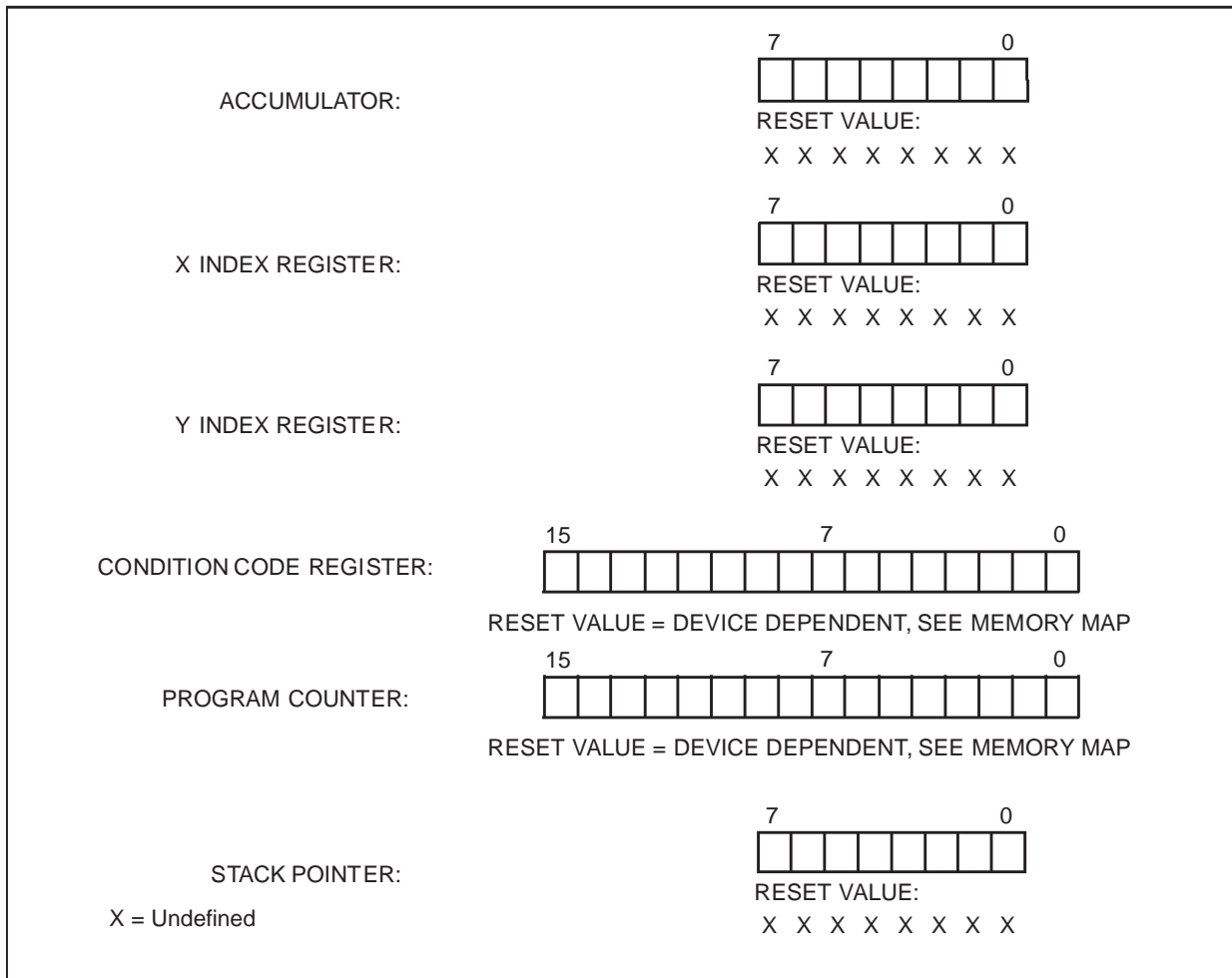
Accumulator (A). The Accumulator is an 8-bit general purpose register used to hold operands

and the results of the arithmetic and logic calculations as well as data manipulations.

Index Registers (X and Y). These 8-bit registers are used to create effective addresses or as temporary storage areas for data manipulation. The Cross-Assembler generates a PRECEDE instruction (PRE) to indicate that the following instruction refers to the Y register. The Y register is never automatically stacked. Interrupt routines must push or pop it by using the PUSH and POP instructions.

Program Counter (PC). The program counter is a 16-bit register containing the address of the next instruction to be executed by the CPU.

Figure 2. Organization of Internal CPU Registers



CPU REGISTERS (Cont'd)

Stack Pointer (SP) The Stack Pointer is a 16-bit register. Since the stack size can vary from device to device, the appropriate number of most significant bits are forced so as to map the stack as defined in the Memory Map. The number of least significant digits thus available to the user will depend on the stack size, for example in the case of a 128 byte stack, 7 bits will be available whereas in the case of a 64 byte stack, only 6 bits will be available.

The stack is used to save the CPU context during subroutine calls or interrupts. The user may also directly manipulate the stack by means of the PUSH and POP instructions.

Following an MCU Reset, or after a Restore following a Reset Stack Pointer instruction (RSP), the Stack Pointer is set to point to the highest location in the stack. It is then decremented after data has been pushed onto the stack and incremented after data is popped from the stack. When the lower limit is exceeded, the Stack Pointer wraps around to the stack upper limit. The previously stored information is then overwritten and therefore lost. The upper and lower limits of the stack area are shown in the Memory Map.

A subroutine call occupies two locations and an interrupt five locations in the stack area.

Condition Code Register (CC) The Condition Code register is a 5-bit register which indicates the result of the instruction just executed as well as the

state of the processor. These bits can be individually tested by a program and specified action taken as a result of their state. The following paragraphs describe each bit of the CC register in turn.

Half carry bit (H) The H bit is set to 1 when a carry occurs between bits 3 and 4 of the ALU during an ADD or ADC instruction. The H bit is useful in BCD arithmetic subroutines.

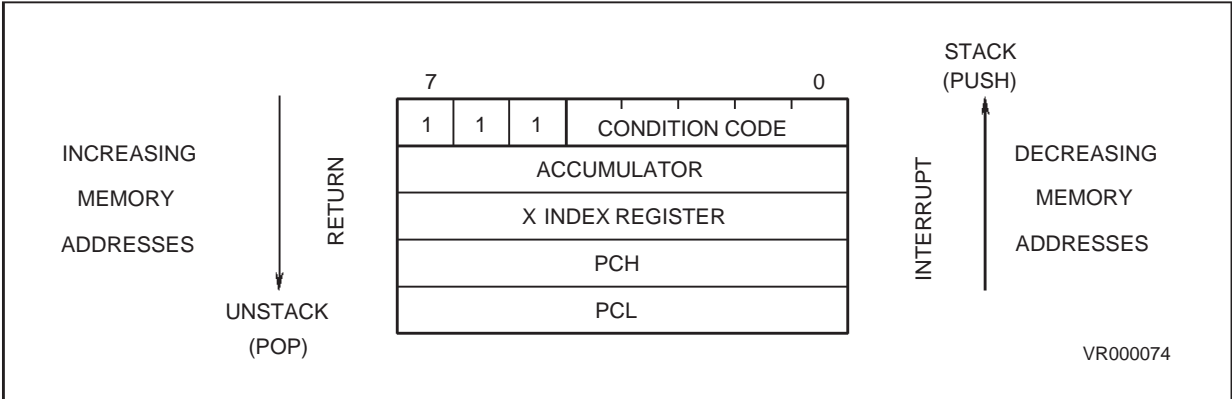
Interrupt mask (I) When the I bit is set to 1, all interrupts except the TRAP software interrupt are disabled. Clearing this bit enables interrupts to be passed to the processor core. Interrupts requested while I is set are latched and can be processed when I is cleared (only one interrupt request per interrupt enable flag can be latched).

Negative (N) When set to 1, this bit indicates that the result of the last arithmetic, logical or data manipulation is negative (i.e. the most significant bit is a logic 1).

Zero (Z) When set to 1, this bit indicates that the result of the last arithmetic, logical or data manipulation is zero.

Carry/Borrow (C) When set, C indicates that a carry or borrow out of the ALU occurred during the last arithmetic operation. This bit is also affected during execution of bit test, branch, shift, rotate and store instructions.

Figure 3. Stacking Order



3 CLOCKS, RESET, INTERRUPTS & POWER SAVING MODES

3.1 CLOCK SYSTEM

3.1.1 General Description

The MCU accepts either a Crystal or Ceramic resonator, or an external clock signal to drive the internal oscillator. The internal clock (CPU CLK running at f_{CPU}) is derived from the external oscillator frequency (f_{OSC}). The external Oscillator clock is first divided by 2, and an additional division factor of 2, 4, 8, or 16 can be applied, in Slow Mode, to reduce the frequency of the CPU clock (see note 1); this clock signal is also routed to the on-chip peripherals. The CPU clock signal consists of a square wave with a duty cycle of 50%.

3.1.2 Crystal Resonator

The internal oscillator is designed to operate with an AT-cut parallel resonant quartz crystal resonator in the frequency range specified for f_{OSC} . The circuit shown in Figure 6 is recommended when using a crystal, and Table 2 lists the recommended capacitance and feedback resistance values. The crystal and associated components should be mounted as close as possible to the input pins in order to minimize output distortion and start-up stabilisation time.

Use of an external CMOS oscillator is recommended when crystals outside the specified frequency ranges are to be used.

Figure 4. External Clock Source Connections

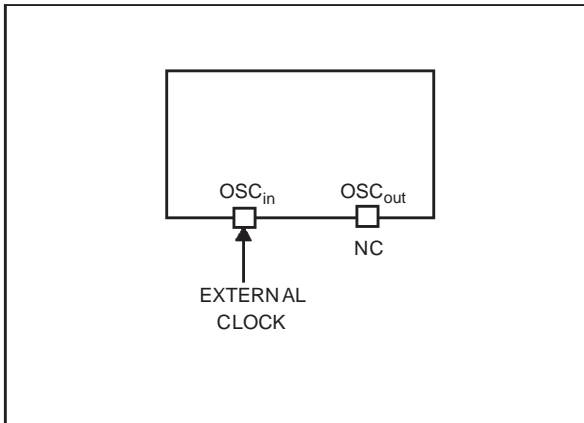
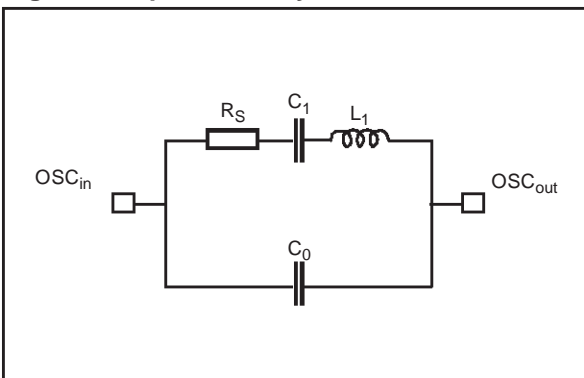


Figure 5. Equivalent Crystal Circuit



Note 1: Additional division factor of CPU clock is only available on L5/L6.

Figure 6. Crystal/Ceramic Resonator

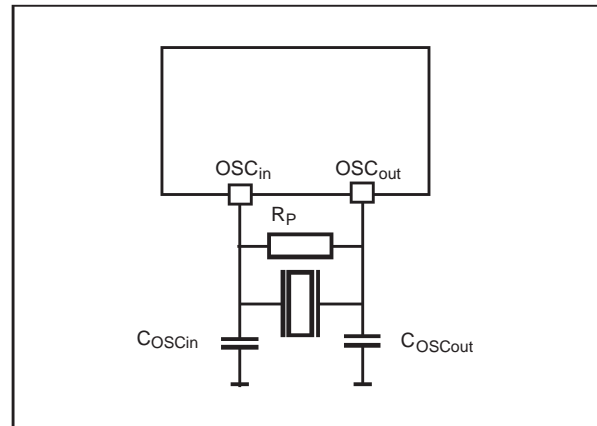
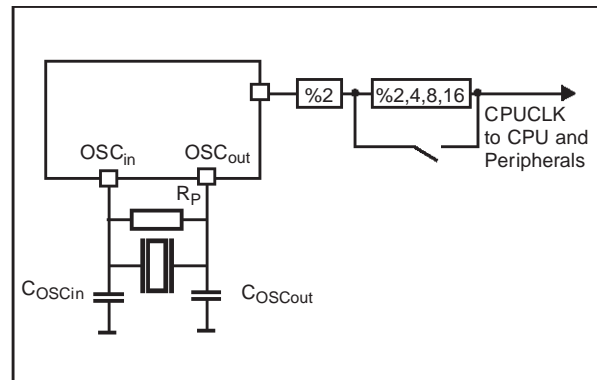


Figure 7. Clock Prescaler Block Diagram



CLOCK SYSTEM (Cont'd)

3.1.3 Ceramic Resonator

A ceramic resonator may be used as an alternative to a crystal in low-cost applications. The circuit shown in Figure 6 is recommended when using a ceramic resonator. Table 3 lists the recommended feedback capacitance and resistance values. The manufacturer of the particular ceramic resonator being considered should be consulted for specific information.

Table 2. Recommended Values for Crystal Resonator

	2MHz	4MHz	8MHz	Unit
R _S MAX	400	75	60	Ω
C ₀	5	7	10	pF
C ₁	8	12	15	fF
C _{OSCin}	15-40	15-30	15-25	pF
C _{OSCout}	15-30	15-25	15-20	pF
R _P	10	10	10	MΩ
Q	30	40	60	10 ³

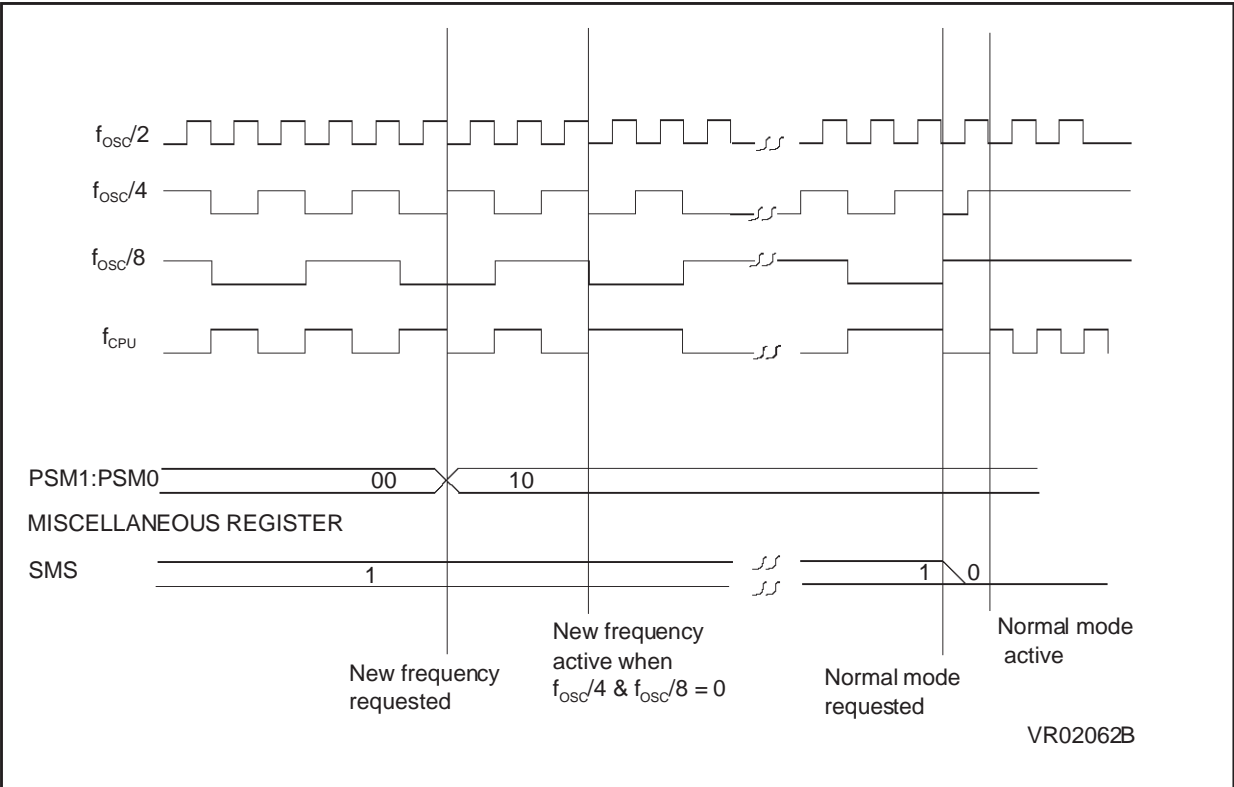
3.1.4 External Clock

An external clock may be applied to the OSCin input with the OSCout pin not connected, as shown on Figure 4. The t_{OXOV} and t_{LCH} specifications do not apply when using an external clock input. The equivalent specification of the external clock source should be used instead of t_{OXOV} or t_{LCH}. See CONTROL TIMING SECTION.

Table 3. Recommended Values for Ceramic Resonator

	2-8MHz	Unit
R _S MAX	10	Ω
C ₀	40	pF
C ₁	4.3	pF
C _{OSCin}	30	pF
C _{OSCout}	30	pF
R _P	1-10	MΩ
Q	1250	

Figure 8. Timing Diagram for Internal CPU Clock Frequency transistions



3.2 MISCELLANEOUS REGISTER

The Miscellaneous register allows one to select the SLOW operating mode and to set the clock division prescaler factor. Bits 3 and 4 allow one to set PB7 functionality (I/O, CPU Clock o/p or Beep signal o/p), while bits 6 and 7 determine the signal conditions which will trigger an interrupt request on I/O pins having interrupt capability.

Register Address: 0020h — Read/Write

Reset Value: 00h

7							0
EI1	EI0	b5	SK1	CK0	SM1	SM0	SMS

b7, b6 - **EI1, EI0**: *External Interrupt Option*

- 0 0 - Negative edge and low level (Reset state)
- 1 0 - Negative edge only
- 0 1 - Positive edge only
- 1 1 - Positive and negative edge

This selection applies globally to the four external interrupts: I1, I2, I9 and I10.

b6 and b7 can be written only when the Interrupt Mask (I) of the CC (Condition Code) register is set to 1.

b5- **Reserved**

b4, b3 - **SK1, CK0**: *Clock/Beep Output*

- 0 0 - I/O port (Reset state)
- 1 0 - I/O port
- 0 1 - CPU Clock output to pin PB7
- 1 1 - 2KHz Beep signal output to pin PB7 (at 8.664 MHz oscillator frequency)

b2, b1 - **SM1, SM0**: *CPU clock prescaler for Slow Mode*

- 0 0 - Oscillator frequency / 4
- 1 0 - Oscillator frequency / 8
- 0 1 - Oscillator frequency / 16
- 1 1 - Oscillator frequency / 32

b0 - **SMS**: *Slow Mode Select*

- 0- Normal mode - Oscillator frequency / 2 (Reset state)
- 1- Slow mode (Bits b1 and b2 define the prescaler factor)

3.3 RESETS

3.3.1 Introduction

There are four sources of Reset:

- RESET pin (external source)
- Power-On Reset (Internal source)
- WATCHDOG (Internal Source)

The Reset Service Routine vector is located at address FFFEh-FFFFh.

3.3.2 External Reset

The RESET pin is both an input and an open-drain output with integrated pull up resistor. When one of the internal Reset sources is active, the Reset pin is driven low to reset the whole application.

3.3.3 Reset Operation

The duration of the Reset condition, which is also reflected on the output pin, is fixed at 4096 internal CPU Clock cycles. A Reset signal originating from an external source must have a duration of at least 1.5 internal CPU Clock cycles in order to be recognised. At the end of the Power-On Reset cycle, the MCU may be held in the Reset condition by an External Reset signal. The RESET pin may thus be used to ensure V_{DD} has risen to a point where the MCU can operate correctly before the User program is run. Following a Reset event, or after exit-

ing Halt mode, a 4096 CPU Clock cycle delay period is initiated in order to allow the oscillator to stabilise and to ensure that recovery has taken place from the Reset state.

During the Reset cycle, the device Reset pin acts as an output that is pulsed low for 3 machine cycles (6 oscillator cycles). In its high state, an internal pull-up resistor of about 300k Ω is connected to the Reset pin. This resistor can be pulled low by external circuitry to reset the device.

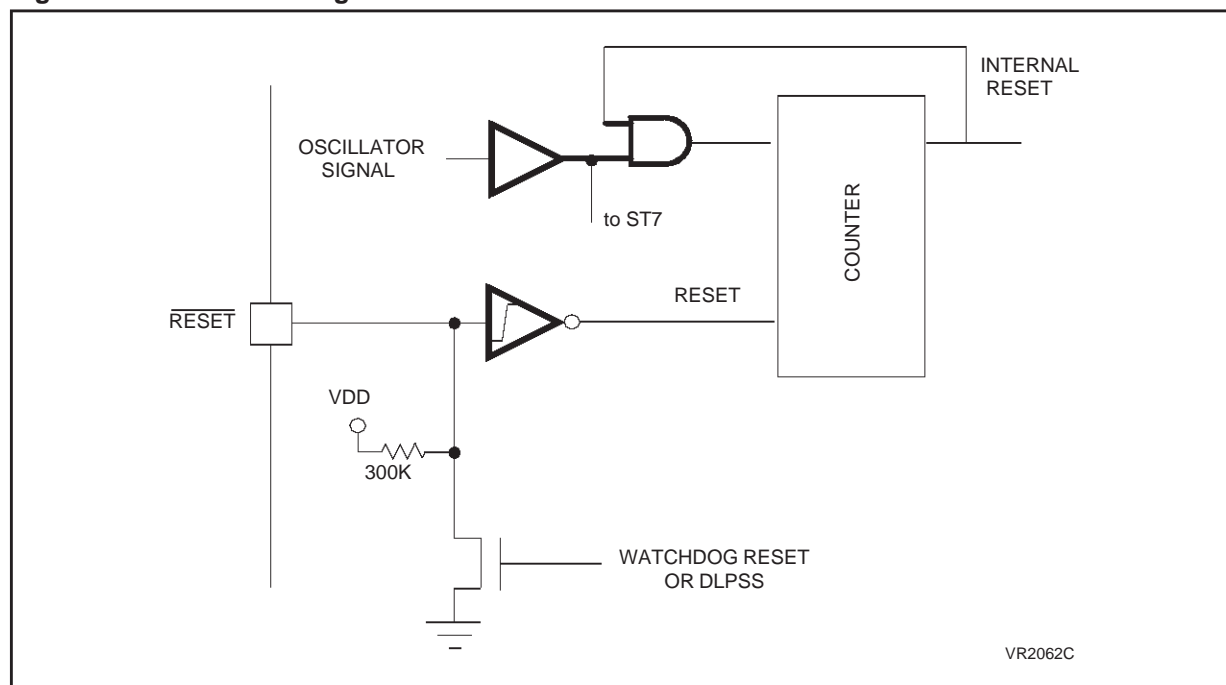
3.3.4 Power-on Reset

This circuit detects the ramping up of V_{DD} , and generates a pulse that is used to reset the application (at approximately $V_{DD} = 2V$).

Power-On Reset is designed exclusively to cope with power-up conditions, and should not be used in order to attempt to detect a drop in the power supply voltage.

Caution: *to re-initialize the Power-On Reset, the power supply must fall below approximately 0.8V (V_{tn}), prior to rising above 2V. If this condition is not respected, on subsequent power-up the Reset pulse may not be generated. An external pulse may be required to correctly reactivate the circuit.*

Figure 9. Reset Block Diagram



3.4 WATCHDOG TIMER SYSTEM (WDG)

3.4.1 Introduction

The Watchdog timer is used to detect the occurrence of a software fault, usually generated by external interference or by unforeseen logical conditions, which causes the application program to abandon its normal sequence. The Watchdog circuit generates an MCU reset on expiry of a programmed time period, unless the program refreshes the counter's contents before it is decremented to zero.

3.4.2 Functional Description

The counter is decremented every 12,288 machine cycles, and the length of the timeout period can be programmed by the user in 64 increments, ranging from 12,288 machine cycles to 786,432 machine cycles, depending on the value loaded in bits 0-5 of the Watchdog register. The application program must be written so that the Watchdog register is reloaded at regular intervals during normal operation.

The Watchdog is not activated automatically on Reset, and must be activated by the user program if required. Once activated it cannot be disabled, save by a Reset.

During the Reset cycle, the device Reset pin acts as an output that is pulsed low for 3 machine cycles (6 oscillator cycles). In its high state, an internal pull-up resistor of about 100kΩ is connected to the Reset pin.

This resistor can be pulled low by external circuitry to reset the device.

The Watchdog delay time is defined by bits 5-0 of the Watchdog register; bit 6 must always be set in order to avoid generating an immediate reset.

Conversely, this can be used to generate a software reset (bit 7 = 1, bit 6 = 0).

Once bit 7 is set, it cannot be cleared by software: i.e. the Watchdog cannot be disabled by software without generating a Reset. The Watchdog timer must be reloaded before bit 6 is decremented to "0" to avoid a Reset. Following a Reset, the Watchdog register will contain 7Fh (bits 0-6 = 1, bit 7 = 0).

If the Watchdog is activated, the HALT instruction will generate a Reset.

If the circuit is not used as a Watchdog (i.e. bit 7 is never set), bits 6 to 0 may be used as a simple 7-bit timer, for instance as a real time clock. Since no interrupt will be generated under these conditions, the Watchdog register must be monitored by software.

3.4.3 Watchdog Register

Register Address: 0024h — Read/Write

Reset Value: 0111 1111 (7Fh)

7							0
WDGA	T6	T5	T4	T3	T2	T1	T0

b7 = **WDGA**: Activation bit (is active if set)

b6-0 = **T6-T0**: 7-bit timer counter (Msb to Lsb)

Table 4. Watchdog Timing (f_{osc} = 8 MHz)

WDG Register initial value	WDG timeout period (ms)
FF	197
C0	3

3.5 INTERRUPTS

A list of interrupt sources is given in Table 5 below, together with relevant details for each source. Interrupts are serviced according to their order of priority, starting with I0, which has the highest priority, and so to I11, which has the lowest priority.

The following list describes the origins for each interrupt level:

- I0 connected to Software Interrupt (TRAP)
- I1 connected to Port G3
- I2 connected to Port F0, F1, F2, F3
- I3 connected to SPI A
- I4 connected to Timer A
- I5 connected to GBS interrupt

- I6 connected to Timer B
- I7 connected to SPI B
- I8 connected to SCI
- I9 connected to Ports D4, D5
- I10 connected to Ports C4, C5
- I11 connected to I²C

Exit from HALT mode may only be triggered by an External Interrupt on one of the following ports: C4(I10), C5(I10), D4(I9), D5(I9), F0(I2), F1(I2), F2(I2), F3(I2) and G3(I1).

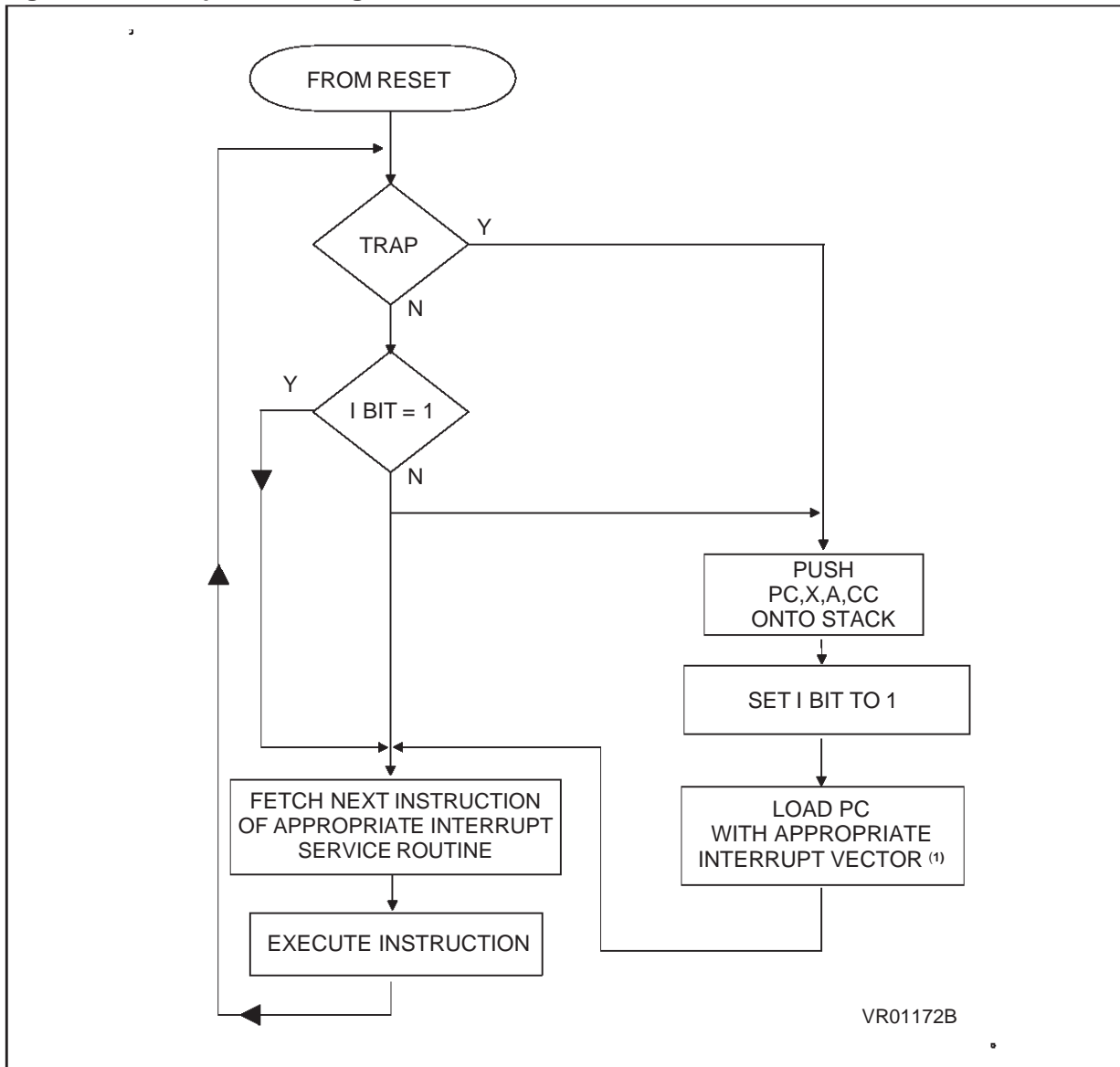
If more than one input pin of a group connected to the same interrupt line is selected simultaneously, these will be logically ORed.

Table 5. Interrupt Mapping

Interrupt source	Vector Address	Interrupts	Register	Flag name	CPU interrupts
-	FFFEh-FFFFh	Reset	N/A	N/A	RESET
I0	FFFC h-FFFDh	Software	N/A	N/A	TRAP
I1	FFFAh-FFFBh	Ext. Interrupt (Port G3)	N/A	N/A	INT1
I2	FFF8h-FFF9h	Ex. Interrupt (Ports F0, F1, F2, F3)	N/A	N/A	INT2
I3	FFF6h-FFF7h	Transfer Complete	SPI A Status	SPIF1_A	SPI_A
"	"	Mode Fault	"	MODF1_A	"
I4	FFF4h-FFF5h	Input Capture 1	Timer A Status	ICF1_A	TIMER_A
"	"	Output Compare 1	"	OCF1_A	"
"	"	Input Capture 2	"	ICF2_A	"
"	"	Output Compare 2	"	OCF2_A	"
"	"	Timer Overflow	"	TOF_A	"
I5	FFF2h-FFF3h	RDS Block Interrupt.	RDS GRP	VSI CNI	GBS
I6	FFF0h-FFF1h	Input Capture 1	Timer B Status	ICF1_B	TIMER_B
"	"	Output Compare 1	"	OCF1_B	"
"	"	Input Capture 2	"	ICF2_B	"
"	"	Output Compare 2	"	OCF2_B	"
"	"	Timer Overflow	"	TOF_B	"
I7	FFEEh-FFEFh	Transfer Complete	SPI B Status	SPIF2_B	SPI_B
"	"	Mode Fault	"	MODF1_B	"
I8	FFEC h-FFEDh	Transmit Buffer Empty	SCI Status	TDRE	SCI
"	"	Transmit Complete	"	TC	"
"	"	Receive Buffer Full	"	RDRF	"
"	"	Idle Line Detect	"	IDLE	"
"	"	Overrun	"	OR	"
I9	FFEAh-FFEBh	Ext. Interrupt (Ports D4,D5)	N/A	N/A	INT9
I10	FFE8h-FFE9h	Ext. Interrupt (Port C4, C5)	N/A	N/A	INT10
I11	FFE6h-FFE7h	Byte Transmission Finished	I ² C Status	BTF	I2C
"	"	Bus Error	"	BERR	I2C
"	"	Stop Detection	"	SSTOP	I2C

INTERRUPTS (Cont'd)

Figure 10. Interrupt Processing Flowchart



Note 1. See Table 5 . Interrupt Mapping

3.6 POWER SAVING MODES

3.6.1 Slow Mode

The following Power Saving mode may be selected by setting the relevant bits in the Miscellaneous register as detailed in Section 3.2.

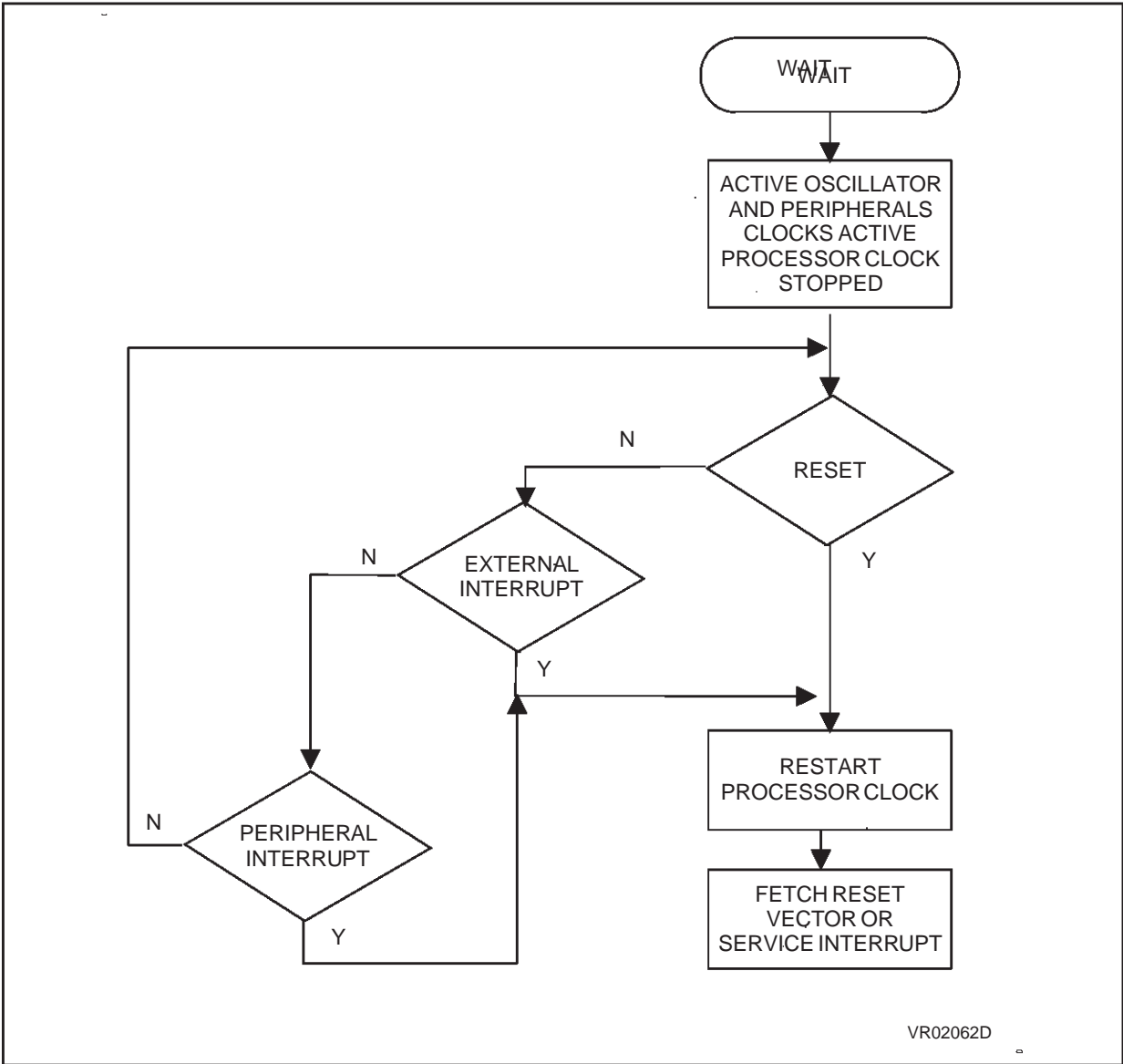
In Slow Mode, the oscillator frequency can be divided by 4, 8, 16 or 32 rather than by 2. The CPU and peripherals are clocked at this lower frequency, and therefore the RDS filter cannot operate correctly in this mode. SLOW mode is used to reduce power consumption, and enables the user to adapt clock frequency to available supply voltage.

3.6.2 Wait Mode

WAIT mode places the MCU in a low power consumption mode by stopping the CPU. All peripherals remain active. During WAIT mode, the I bit (CC Register) is cleared, so as to enable all interrupts. All other registers and memory remain unchanged. The MCU will remain in WAIT mode until an Interrupt or Reset occurs, whereupon the Program Counter branches to the starting address of the Interrupt or Reset Service Routine.

Refer to Figure 11 below.

Figure 11. Wait Mode Flow Chart



VR02062D

POWER SAVING MODES (Cont'd)

3.6.3 Halt Mode

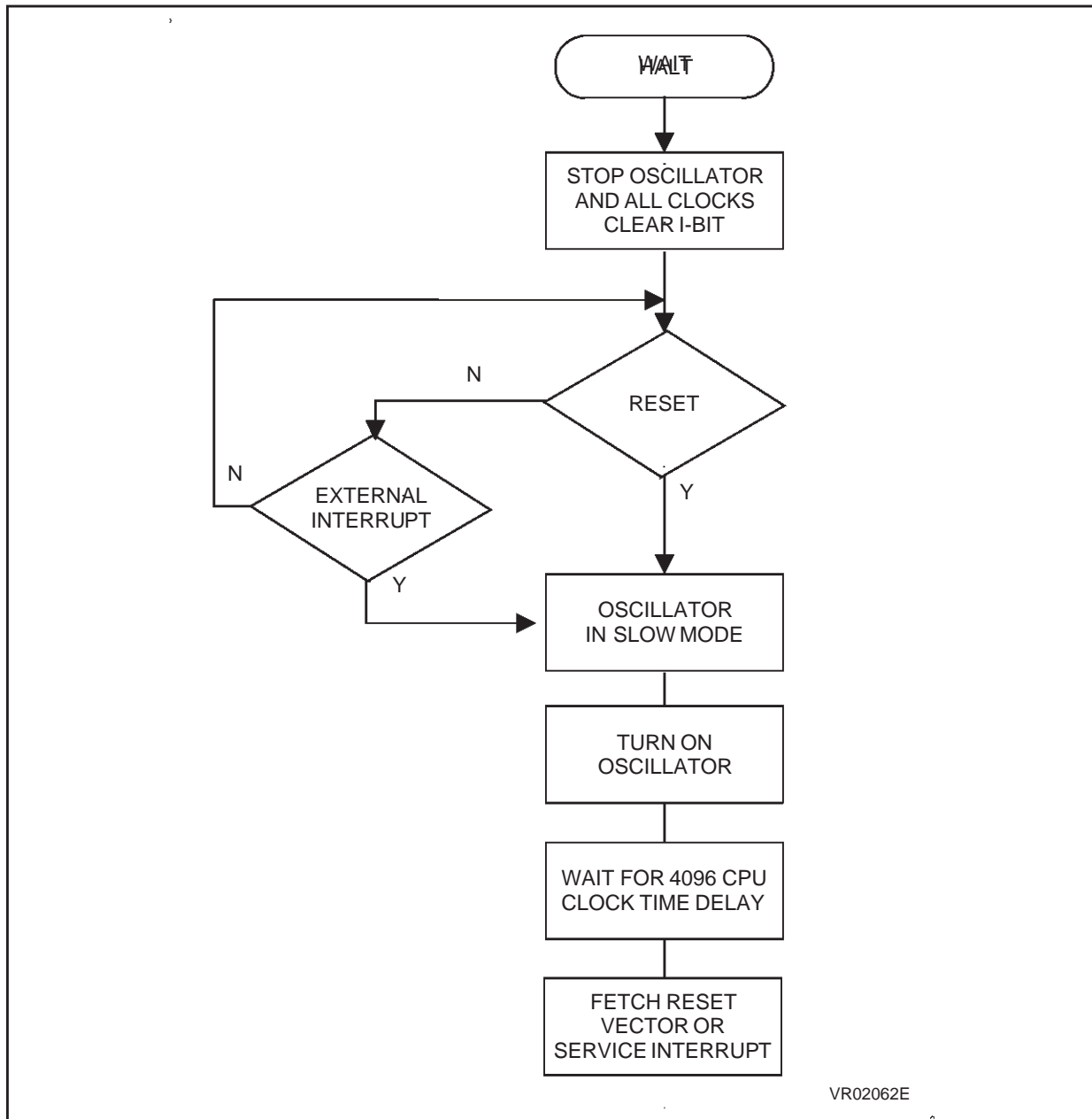
The HALT instruction places the MCU in its lowest power consumption mode. In HALT mode the internal oscillator is turned off, causing all internal processing to be halted. During HALT mode, the I bit in the CC Register is cleared so as to enable External Interrupts.

All other registers and memory remain unaltered and all Input/Output lines remain unchanged. This

state will endure until an External Interrupt (I1, I2, I9, I10) or a Reset is generated, whereupon the internal oscillator is restarted. A delay of 4096 CPU clock cycles is initiated prior to restarting the application, in order to allow the oscillator to stabilize.

The External Interrupt or Reset causes the Program Counter to be set to the address of the corresponding Interrupt or Reset Service Routine.

Figure 12. Halt Mode Flow Chart



VR02062E

4 ON-CHIP PERIPHERALS

4.1 I/O PORTS

4.1.1 Introduction

Each I/O Port can contain up to 8 individually programmable I/Os. The MCU features seven 8-bit Ports (A, B, C,... G) and one 6-bit-port (H). Each I/O pin is dedicated to its main functionality, thus reducing and simplifying its programmability.

The current chapter describes the generic I/O structure used in the MCU.

All I/Os are based on a generic circuit, of which a block diagram is given in Figure 13. In most cases the functions are simplified, and several sub-blocks may be missing (such as, for instance, the analog switch on ports B to H or pull-up and interrupt logic for most of the I/O ports). Some registers may also be absent where their functionality is redundant: it is therefore advisable to consult the Memory Map in section 1.3 and the pin description in section 1.2 for proper use of any particular I/O.

Only ports C4, C5, D4, D5, F0, F1, F2, F3, G3 feature interrupt capability.

The following sub-section 4.1.2 contains generic information on ST7 I/O ports. For information specific to this device, please refer to sub-section 4.1.3.

4.1.2 Generic I/O Features

The I/O ports offer the following generic features:

- inputs with Schmitt trigger
- analog inputs, when connected via internal multiplexer
- interrupt generation, maskable by software
- EMI compliance thanks to reduced noise radiation due to lowered cross-current in push pull mode and reduced input susceptibility. This feature is particularly relevant in RDS applications.

Each *generic* I/O pin may be individually programmable by software as:

- input: no pull-up, no interrupt generation
- input: pull-up, no interrupt generation

- input: pull-up, interrupt generation
- input: pull-down, no interrupt generation
- output: push-pull
- output: open-drain, no pull-up
- output: open-drain, with pull-up

4.1.2.1 Port Registers

Each port may be associated with up to four registers:

- **DATA REGISTER (DR)**
Address 0000 0000 000x xx00b; always present.
- **DATA DIRECTION REGISTER (DDR)**
Address 0000 0000 000x xx01b; always present.
- **OPTION REGISTER (OR)**
Address 0000 0000 000x xx10b; depending on I/O dedication.
- **PULL-UP REGISTER (PUR)**
Address 0000 0000 000x xx11b; depending on I/O dedication.

These are not internal CPU registers and must be accessed by reading and writing to the relevant memory locations. Refer to Table 1 - Memory Map for the respective addresses and reset values.

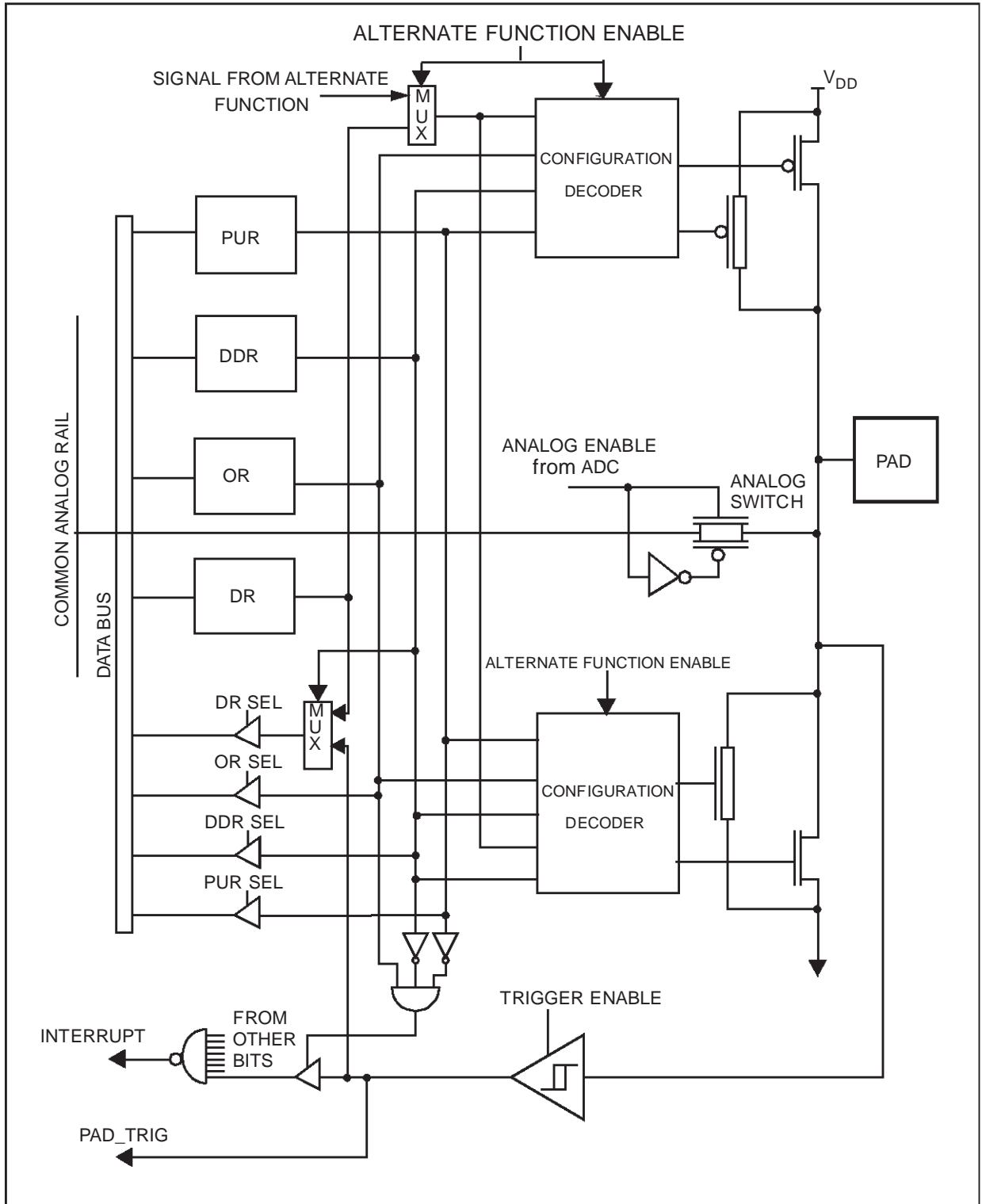
4.1.2.2 Functional Description

Each I/O pin may be programmed independently as an analog input if the port features analog capabilities, as a digital input or a digital output with various variants, using the corresponding register bits. When programmed as a digital input, a pull-up or a pull-down resistor can, if present, be activated by software. Only when enabling the pull-up, can an interrupt function be programmed by software. When programmed as an output, the I/O pin can be programmed to operate either in push-pull or in open-drain mode.

The interrupts generated by a port (active low) are “ORed” to a single interrupt line that can be routed to a CPU interrupt.

I/O PORTS (Cont'd)

Figure 13. Generic I/O Circuitry



I/O PORTS (Cont'd)

4.1.2.3 Operating Modes

All I/O pins may be configured as inputs or outputs by programming the corresponding bits of the DR, DDR, OR and PUR memory-mapped registers. Table 6 illustrates the available operating modes. During Reset, DR, DDR, OR and PUR are initialized to a Low level.

Table 6. I/O Operating Modes

DDR	OR	PUR	Mode	Option
0	0	0	input	pull-up, no interrupt
0	0	1	input	no pull-up, no interrupt
0	1	0	input	pull-up, interrupt
0	1	1	input	pull-down, no interrupt
1	0	0	output	open-drain, pull-up
1	0	1	output	open-drain, no pull-up
1	1	0	output	RESERVED ⁽¹⁾
1	1	1	output	push-pull, no pull-up, no pull-down

Note: (1) This state can add static current consumption.

– Input Mode

In input mode, both the analog multiplexer and the port buffer are switched to a high impedance state.

To avoid ringing with slowly rising or falling input signals and to increase noise immunity, the inputs are equipped with Schmitt-triggers.

The state of the pin is readable through the Data Register. The pin state is read directly from the Schmitt Trigger's output and not from the Data Register.

There are four different input modes, as illustrated in Table 6.

Note: Pull-up and pull-down devices are not implemented by means of linear resistors, but by means of resistive transistors.

– Interrupt function

The interrupt signals of all activated bits are NANDed together, so that whenever at least one of the activated inputs goes low, the port's common interrupt output will go high in order to activate the CPU interrupt input.

– Output Mode

In output mode, the port output buffer is activated and drives the output according to the content of

the data register, DR. In this mode, the analog multiplexer, when present, is switched to high impedance and the interrupt is disabled.

Data written to the DR is directly copied to the output pins. A read operation of DR will be directly performed from the DR register, so that the output data stored in DR is readable, regardless of the logic levels at the output pin due to output loading. There are three different output modes for the standard I/O pins as illustrated in Table 6.

– Alternate function

Alternate functions take priority over standard I/O programming; if a peripheral needs to use a pad, the alternate function is automatically activated.

The signal from the peripheral is output to the pad (automatically configured in this case in push-pull or open drain modes without pull-up and pull-down), and controlled directly by the peripheral.

The signal to be input to the peripheral from the pad is taken after the schmitt trigger and is controlled directly by the peripheral. In this case, the pin's state is readable as in Input Mode by addressing the Data Register and by configuring the PAD in Input Mode (DDR=0).

– Analog Input Mode

In analog input mode (activated by the ADC), the analog multiplexer is activated and switches the analog voltage present on the selected pin (pins PA0 to PA7) to the common analog rail. The common analog rail is connected to the Analog to Digital converter (see Section 4.6) input. It is not recommended to change the voltage level or loading on any port pin while conversion is in progress. Furthermore it is not recommended to have clocking pins located close to a selected analog pad.

WARNING: Before activating the Analog Input Mode, the I/O state must be set to:

INPUT, NO PULL-UP, NO INTERRUPT
(DDR = 0, OR = 0, PUR = 1)

The alternate function must not be activated as long as the pad is configured as Input with Interrupt, in order to avoid generating spurious interrupts.

Analog input mode is only implemented for pins PA0 to PA7. The analog input voltage level must be within the limits stated in the Absolute Maximum Ratings.

I/O PORTS (Cont'd)

4.1.3 I/O Port Implementation

On the ST7285C, the pull down is always absent, the pull up exists only where an interrupt facility is present (Ports C4, C5, D4, D5, F0, F1, F2, F3, G3). On port A, the analog inputs are directly controlled by the ADC. The I/O port register configurations are reduced to the following.

4.1.3.1 Ports A0-A7, B0-B7, C0-C3, C6, C7, D0-D3, D6, D7, E0-E7, F4-F7, G0-G2, G4-G7, H0-H5

These ports do not offer interrupt capabilities.

DDR	MODE	OPTION
0	input	no pull-up, no pull-down, no interrupt
1	output	push-pull (or open drain: see note)

Note: Open drain I/O is implemented on I2C pins (pins 19 and 20) and high voltage pins (PH3/4/5). The design uses special I/O devices without P channel, thus forbidding the push pull configuration.

In this case there is neither pull up register nor option register. These registers do not exist and so cannot be read or written to.

4.1.3.2 Ports C4, C5, D4, D5, F0-F3, G3

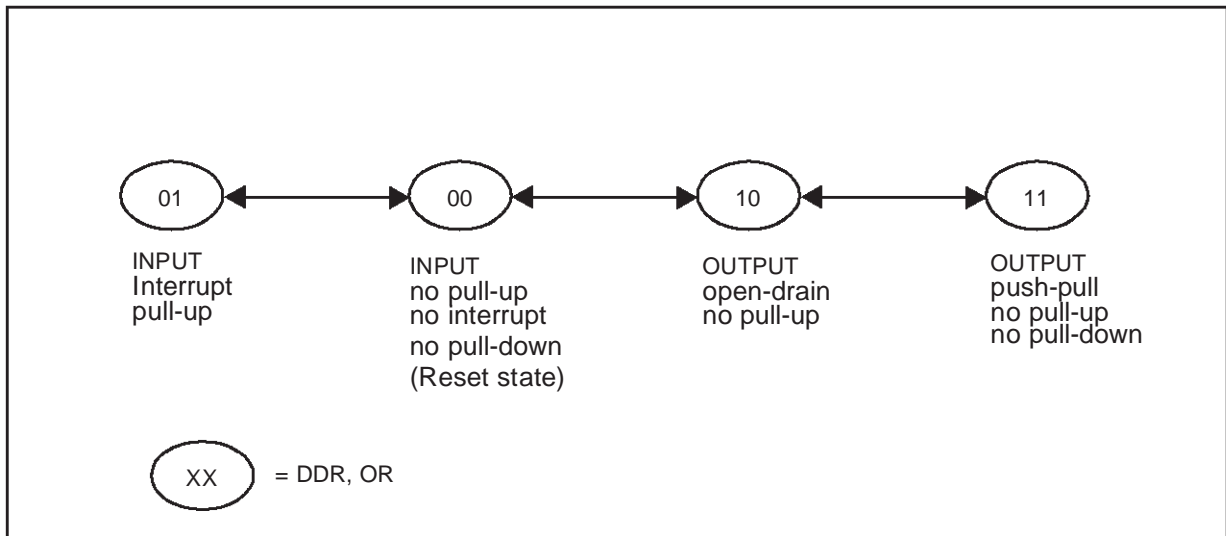
These ports offer interrupt capabilities.

DDR	OR	MODE	OPTION
0	0	input	no pull-up, no pull-down, no interrupt
0	1	input	interrupt, pull-up
1	0	output	open-drain, no pull-up
1	1	output	push-pull, no pull-up, no pull-down

In this case there is no pull up register since the pull-up is present only when the interrupt feature is selected. This register does not exist and so cannot be read or written to.

Switching these I/O ports from one state to another should be done in such a sequence as to prevent unwanted side effects. Recommended safe transitions are illustrated in Figure 14. Other transitions are potentially risky and should be avoided, since they are likely to present unwanted side-effects such as spurious interrupt generation.

Figure 14. Recommended I/O State Transition Diagram



4.2 SERIAL COMMUNICATIONS INTERFACE

4.2.1 Introduction

The Serial Communications Interface (SCI) offers a flexible means of full-duplex data exchange with external equipment requiring an industry standard NRZ asynchronous serial data format. The SCI offers a very wide range of Baud rates thanks to the presence of two Baud rate generator systems: the first is of conventional type and yields common communications Baud rates with standard oscillator frequencies; the second features a programmable prescaler capable of dividing the input frequency by any factor from 1 to 255, thus offering a very wide range of Baud rates even with non-standard oscillator frequencies. Transmitter and Receiver circuits are independent and can operate at different Baud rates; indeed, each can select either type of Baud rate generator. External connections are by means of two I/O pins: TDO (Port PB0) for the Transmit Data output and RDI (Port PB1) for the Receive Data input.

4.2.2 Features

- Full duplex, asynchronous communications
- NRZ standard format (Mark/Space)
- Dual Baud rate generator systems
- Independently programmable transmission and reception Baud rates
- Separate Transmit and Receive Baud rates
- Programmable word length (8 or 9 bits)
- Receive buffer full, Transmit buffer empty and End of Transmission flags
- Receiver wake-up function by the most significant bit or by idle line
- Muting function for multiprocessor configurations
- Separate enable bits for Transmitter and Receiver
- Noise, Overrun and Frame Error detection
- Four interrupt sources with flags
- Overall accuracy better than 1% of Baud rate.

4.2.3 Serial Data Format

Serial data is transmitted and received as frames comprising the following elements:

- An Idle Line in the "high" state prior to transmission or reception.
- A Start bit in the "low" state, denoting the start of each character.
- Character data word (8 or 9 bits), least significant bit first.

- A Stop bit in the "high" state, indicating that the frame is complete.

Word length may be selected as being either 8 or 9 bits by programming the M bit in the SCCR1 control register.

An Idle Line condition is interpreted on receiving an entire frame of "ones".

A Break is interpreted on receiving "zeros" for some multiple of the frame period.

4.2.4 Data Reception and Transmission

The following description is best read with reference to the SCI Block Diagram illustrated in Figure 1, where it will be noted that the SCDR data register is shown as two separate registers, one for transmitted data and the other for received data.

The Serial Communications Data Register (SCDR) performs a dual function (Read And Write), since it accesses two separate registers, one for transmission (TDR) and one for reception (RDR). The TDR register provides the data interface between the internal bus and the output shift register for data to be transmitted, while the RDR register provides an interface between the input shift register and the internal bus for incoming data.

When the SCDR is read, the RDR is accessed and its contents are transferred to the data bus. The RDRF (RDR Full Flag) in the SCSR register is set to "1" as soon as the word in the receiver shift register is transferred to the RDR register.

When the SCDR is written to, the data word is transferred to the TDR register. The TDRE flag (TDR empty) in the SCSR register is set to "1" as soon as the word in the TDR is transferred to the transmit shift register.

Incoming data is received in a serial shift register and then transferred to a parallel Receive Data Register (RDR) as a complete word, thus allowing the next incoming character to be received in the shift register while the current character is still in the RDR.

Oversampling techniques are used for data recovery by discriminating between valid incoming data and noise.

4.2.5 Receiver Muting and Wake-up Feature

In multiprocessor configurations it is often desirable that only the intended message recipient should actively receive the full message contents, thus reducing redundant SCI service overheads for all non addressed receivers. Communications protocols in such configurations generally issue the recipient address as a message header.

SERIAL COMMUNICATIONS INTERFACE(Cont'd)

Each receiving device decodes this address header under program control and all non addressed receivers may be placed in a sleep mode by means of the Muting function, thus avoiding the message contents from generating unnecessary requests for service. This is achieved by inhibiting all reception flags and interrupt generation when Muting is enabled. A muted receiver may be re-awakened in one of two ways: by Idle Line detection or by Address Mark detection. The wake-up method may be programmed by programming the WAKE bit in the SCCR1 register.

Receiver wake-up by Idle Line detection takes place as soon as the Receive line is recognised as being idle. An Idle Line condition is detected upon receiving 10 or 11 consecutive "ones", depending on whether a word has been defined as comprising 8 or 9 data bits. This wake-up method is selected by programming the WAKE bit to "0".

Receiver wake-up by Address Mark detection takes place on receiving a "1" as the most significant bit of a word, thus indicating that the message is an address. This wake-up method is selected by programming the WAKE bit to "1".

4.2.6 Baud Rate Generation

The following description is best read with reference to the SCI Baud Rate and External Prescaler Diagram illustrated in Figure 2.

The CPU Clock is first divided by 16 by the first divisor block, then again divided by the division factor selected for the first prescaler, indicated by PR. This division factor can be selected to be 1, 3, 4 or 13, depending on the setting of the SCP0 and SCP1 bits (bits 6 and 7) in the SCBRR register (refer to the register description). The output from the first prescaler will thus be the CPU Clock frequency divided by 16, 48, 64 or 208. This master clock is available both to the conventional Baud Rate Generator and to the External Prescaler.

The conventional Baud Rate Generator is enabled by setting the relevant section (RX or TX) of the External Prescaler to 00h. In this case the master clock frequency is further divided by 1, 2, 4, 8, 16, 32, 64 or 128, depending on the settings of bits SCT0, SCT1 and SCT2 in the case of the transmitter, and SCR0, SCR1 and SCR2 in the case of the receiver (refer to the SCBRR register description).

If the External Prescaler Receive or Transmit Baud Rate Register, PSBRT or PSBRR is set to a value other than zero, that section of the prescaler

will be operational in place of the conventional Baud Rate Generator. The output clock rate sent to the transmitter or to the receiver will be the output from the first prescaler divided by a factor ranging from 1 to 255 set in the External Prescaler Receive or Transmit Baud Rate Register. As can be seen the External Prescaler option gives a very fine degree of control on the Baud rate, whereas the conventional Baud Rate Generator retains industry standard software compatibility.

4.2.7 SCI Register Overview

The registers described in the following paragraphs allow full control of the various features and parameters of the Serial Communications Interface. Refer also to the Memory Map.

4.2.7.1 Data Register (SCDR)

Address: 0051h — Read/Write

Reset Value: XXh

Contains the Received or Transmitted data character, depending on whether it is read or written to.

4.2.7.2 Control Register 1 (SCCR1)

Address: 0053h — Read/Write

Reset Value: XXh

Contains bits to select the desired word length and the wake-up mode.

7	6	5	4	3	2	1	0
R8	T8	-	M	WAKE	-	-	-

Bit-7 = **R8** Receive Data Bit 8

If bit M is set at one, R8 will be used to store the 9th bit on reception.

Bit-6 = **T8** Transmit Data Bit 8

Used to store the 9th data bit of the transmitted word, when 9-bit word length is selected (bit M set to "1").

Bit-4 = **M** Word Length

Determines the word length:
 0 = 1 Start bit, 8 Data bits, 1 Stop bit
 1 = 1 Start bit, 9 Data bits, 1 Stop bit

Bit-3 = **WAKE** Wake-Up Method

1 = Address Mark
 0 = Idle Line



SERIAL COMMUNICATIONS INTERFACE(Cont'd)**4.2.7.3 Control Register 2 (SCCR2)**

Address: 0054h — Read/Write

Reset Value: 00h

Contains four control bits which allow interrupts generated by TDR Empty, Transmit Complete, RDR Full and Idle Line to be enabled or disabled.

Also contains four control bits to enable or disable Transmission, Reception, Receiver Wake-Up and Send Break.

7	6	5	4	3	2	1	0
TIE	TCIE	RIE	ILIE	TE	RE	RWU	SBK

Bit-7 = TIE Transmitter Interrupt Enable

Authorizes an interrupt when set at one and when the TDRE (transmission register empty) flag is set to "1" indicating that the last word has been transmitted. When TIE is at zero this interrupt is disabled.

Bit-6 = TCIE Transmission Complete Interrupt Enable

This bit set to "1" enables an interrupt when the TC flag (transmission competed) changes to "1". When TCIE is at "0" this interrupt is disabled.

Bit-5 = RIE Receiver Interrupt Enable

Authorizes an interrupt when set to "1" and when either the RDRF (Receive Data Register Full) flag or the OR (Overspeed on Reception) flag is set to "1", indicating that the last word has been transmitted. When TIE is set to "0", this interrupt is disabled.

Bit-4 = ILIE Idle Line Interrupt Enable

This bit at "1" enables an interrupt if the IDLE flag changes to "1" (which corresponds to an idle line on reception). The interrupt cannot occur if the IDLE bit is at "0".

Bit-3 = TE Transmitter Enable

This bit at "1" enables the transmitter. At start-up, the transmitter sends a preamble (ten or eleven ones). During transmission, a "0" pulse on the TE bit ("0" followed by "1") sends a preamble after the current word. Setting the TE bit to "0" switches the output line to a high impedance state at the end of the word currently being transmitted.

Bit-2 = RE Receiver Enable

The RE bit at "1" enables the receiver which begins searching for a START bit. The RE bit at "0" disables the receiver and resets the associated status bits to "0" (RDRF, IDLE, OR, NF and FE).

Bit-1 = RWU Receiver Wake-Up

The RWU bit at "1" mutes the receiver. The wake-up mode is determined by the WAKE bit (bit 3 in SCCR1). As long as RWU remains at "1", the flags relating to the receiver cannot rise to "1".

Writing "0" to RWU forces an exit from the muted state.

As soon as the wake-up sequence is recognized, the RWU bit is forced to "0". If the wake-up selected mode corresponds to the reception of a preamble, the RWU bit cannot be set to "1" as long as the reception remains idle. If the selected wake-up mode corresponds to the reception of a "1" on the most significant bit, the reception of this particular word wakes up the receiver and sets the RDRF flag to "1", which allows the receiver to receive this word normally and to use it as an address word.

Bit-0 = SBK Send Break

This bit set to "1" tells the transmitter to send a whole number of BREAKS (all bits at "0" including the stop bit). At the end of the last BREAK the transmitter inserts an extra "1" bit in order to acknowledge the START bit. If the SBK bit is set to "1" and then to "0", the transmitter will send a BREAK word at the end of the current word.

4.2.7.4 Status Register (SCSR)

Address: 0050h — Read Only

Reset Value: 1100 0000b

Contains four flags which denote conditions which can lead to interrupts if the corresponding bits of SCCR2 are set: TDR Empty, Transmit Complete, RDR Full and Idle Line. These flags are used for management of the SCI interrupt system.

Also contains three flags which indicate error conditions due to Overrun, Noise and Framing.

7	6	5	4	3	2	1	0
TDRE	TC	RDRF	IDLE	OR	NF	FE	-

Bit-7 = TDRE Transmit Data Register Empty

Indicates that the content of the transmission data register has been transferred into the shift register. If the TDRE bit is at "0", it indicates that the transmission has not yet occurred and that a write operation into the data register would overwrite previous data. The TDRE bit is reset to "0" by an SCSR access followed by a write operation into the transmission data register. Data will not be transferred to the shift register as long as the TDRE bit is not reset to "0".

Bit-6 = TC Transmission Complete

SERIAL COMMUNICATIONS INTERFACE(Cont'd)

The TC bit is automatically set to "1" when transmission of a frame containing Data, a Preamble or a Break is complete, if:

- TE = "1", TDRE = "1", no word is currently being transmitted and no preamble or BREAK is awaiting transmission.
- TE = "0" and the current word or preamble or BREAK has been transmitted

The TC bit is a flag indicating that one of the above sequences has occurred. This bit is reset to "0" by an access to the SCSR followed by a write operation into the data register or when TDRE is reset to "0". Transmitter operation is in no way modified by the status of this bit.

Bit-5 = RDRF Received Data Ready Flag

This bit, when set to "1", indicates that the content of the RDR has been transferred into the SCDR. If a Frame Error or Noise has been detected during reception, the corresponding flags will be set.

The RDRF bit is reset to "0" by an access to the SCSR followed by a data register read operation.

Bit-4 = IDLE Idle Line Detect

When the idle line detect bit is set it indicates that the receiver idle line is detected (receipt of a minimum number of ones (10 when M=0, 11 when M=1) to constitute the number of bits in the frame format. This allows a receiver that is not in the wake-up mode to detect the end of a message or the preamble of a new message or to re-synchronize with the transmitter. The IDLE bit is cleared by accessing the SCSR (with idle set) followed by a read of the data register. The IDLE bit will not be set again until the RDRF bit has been set itself (i.e. a new idle line occurs). The IDLE bit is not set by an idle line when the receiver wakes up from wake up mode.

Bit-3 = OR Overrun Error

This bit is set to "1", when the word currently being received in the shift register is ready to be transferred into the data register while the latter is already full (RDRF="1"). All transfers will remain disabled as long as RDRF remains at "1". Data register content will not be lost but the shift register will be overwritten. The OR bit is reset by an access to the SCSR followed by a data register read operation.

Bit-2 = NF Noise Flag

This bit is set to "1" when noise is detected on an acknowledge START bit or a data bit or a stop bit. The NF is set to "1" when the noise is detected at the rising edge of RDRF and is representative of the word present in the data register. This bit does

not generate interrupts as it appears at the same time as RDRF which itself generates an interrupt. The NF bit is set to "0" by a SCSR read operation followed by a data register read operation.

Bit-1 = FE Framing Error

This bit is set to "1" when the STOP bit is not recognized on reception at the expected moment, following either a de-synchronization, excessive noise or when a BREAK is received. The word will, however still be transferred to the data register. As in the case of the NF bit, the FEW bit does not generate an interrupt as it appears at the same time as RDRF bit. If the word currently being transferred causes both frame error and reception overspeed, it will be transferred and only the OR bit will be set to "1". The FE bit is reset to "0" by a SCSR read operation followed by a data register read operation.

Bit-0 = Unused

4.2.7.5 Baud Rate Register (SCBRR)

Address: 0052h — Read/Write

Reset Value: 00X----Xb

Contains two bits for selection of the first prescaler factor, three bits for selection of the transmitter rate divisor and three bits for the receiver rate divisor.

7	6	5	4	3	2	1	0
SCP1	SCP0	SCT2	SCT1	SCT0	SCR2	SCR1	SCR0

Bit-7 = SCP1 First prescaler MSB

Bit-6 = SCP0 First prescaler LSB

These 2 prescaling bits allow several standard clock division ranges:

SCP1	SCP0	PR Prescaling factor
0	0	1
0	1	3
1	0	4
1	1	13

Bit-5 = SCT2 Transmitter rate divisor MSB

Bit-4 = SCT1 Transmitter rate divisor NSB

Bit-3 = SCT0 Transmitter rate divisor LSB

These 3 bits, in conjunction with the 2 previous bits define the total division applied to the bus clock to yield the transmit rate clock in conventional Baud Rate Generator mode.



SERIAL COMMUNICATIONS INTERFACE(Cont'd)

SCT2	SCT1	SCT0	TR dividing factor
0	0	0	1
0	0	1	2
0	1	0	4
0	1	1	8
1	0	0	16
1	0	1	32
1	1	0	64
1	1	1	128

This TR factor is used only when the PSBRT fine tuning factor is equal to 0; otherwise, TR is replaced by the PSBRT dividing factor.

Bit-2 = **SCR2** Receiver rate divisor MSB

Bit-1 = **SCR1** Receiver rate divisor NSB

Bit-0 = **SCR0** Receiver rate divisor LSB

These 3 bits, in conjunction with the 2 previous bits define the total division applied to the bus clock to yield the receive rate clock in conventional Baud Rate Generator mode..

SCR2	SCR1	SCR0	RR dividing factor
0	0	0	1
0	0	1	2
0	1	0	4
0	1	1	8
1	0	0	16
1	0	1	32
1	1	0	64
1	1	1	128

This RR factor is used only when the PSBRR fine tuning factor is equal to 0; otherwise, RR is replaced by the PSBRR dividing factor.

4.2.7.6 External Receive Prescaler Division Register (PSCBRR)

Address: 0055h — Read/Write

Reset Value: 00h

Allows setting of the External Prescaler rate division factor for the receive circuit.

7	6	5	4	3	2	1	0
PRBR	PRBR	PRBR	PRBR	PRBR	PRBR	PRBR	PRBR
7	6	5	4	3	2	1	0

When the register is set to 00h, the conventional Baud Rate Generator is used for the receive circuit, otherwise the master clock frequency is divided by the binary factor set in the PSCBRR register (in the range 1 to 255).

4.2.7.7 External Transmit Prescaler Division Register (PSCBRT)

Address: 0057h — Read/Write

Reset Value: 00h

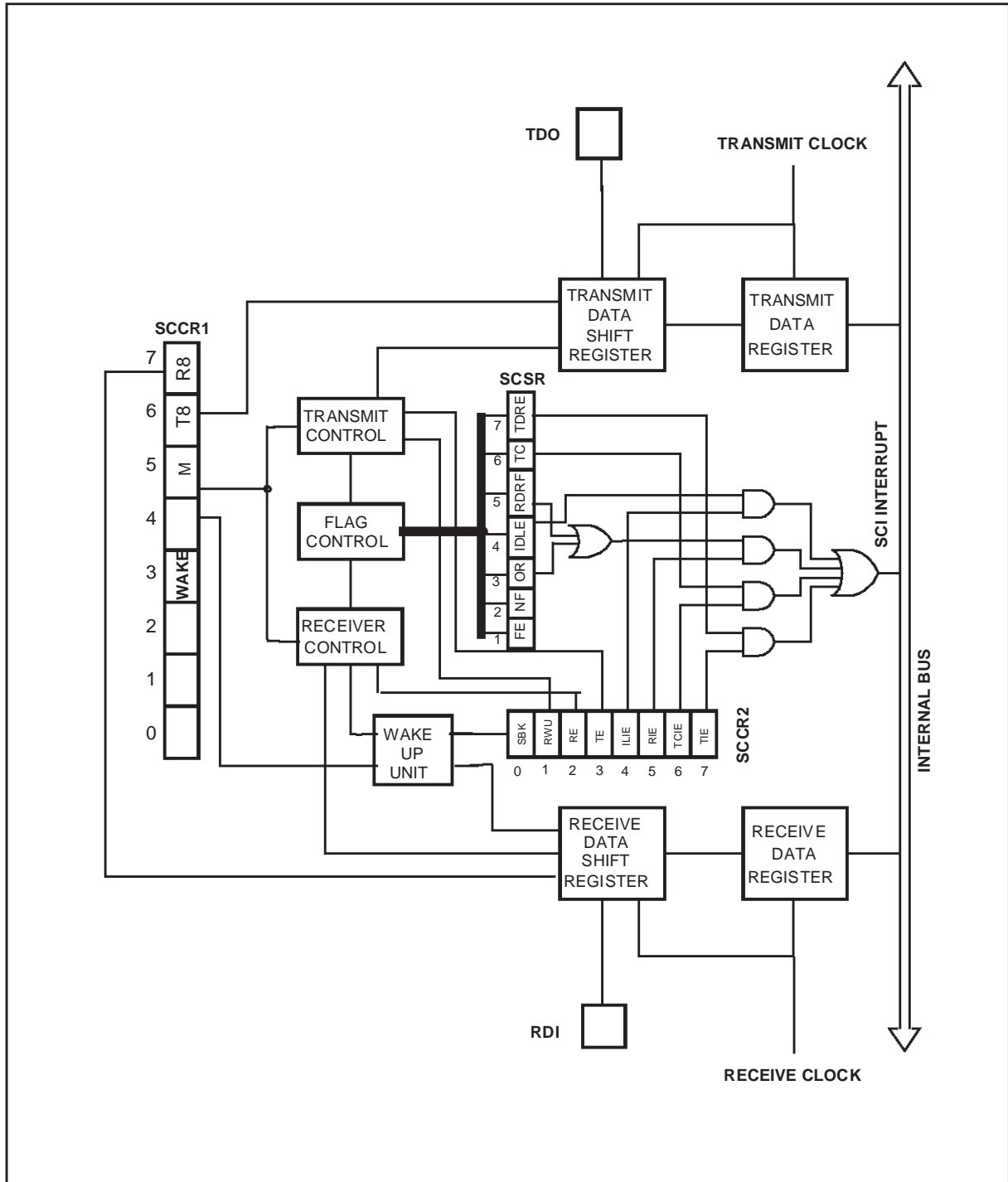
Allows setting of the External Prescaler rate division factor for the transmit circuit.

7	6	5	4	3	2	1	0
PTBR	PTBR	PTBR	PTBR	PTBR	PTBR	PTBR	PTBR
7	6	5	4	3	2	1	0

When the register is set to 00h, the conventional Baud Rate Generator is used for the transmit circuit, otherwise the master clock frequency is divided by the binary factor set in the PSCBRT register (in the range 1 to 255).

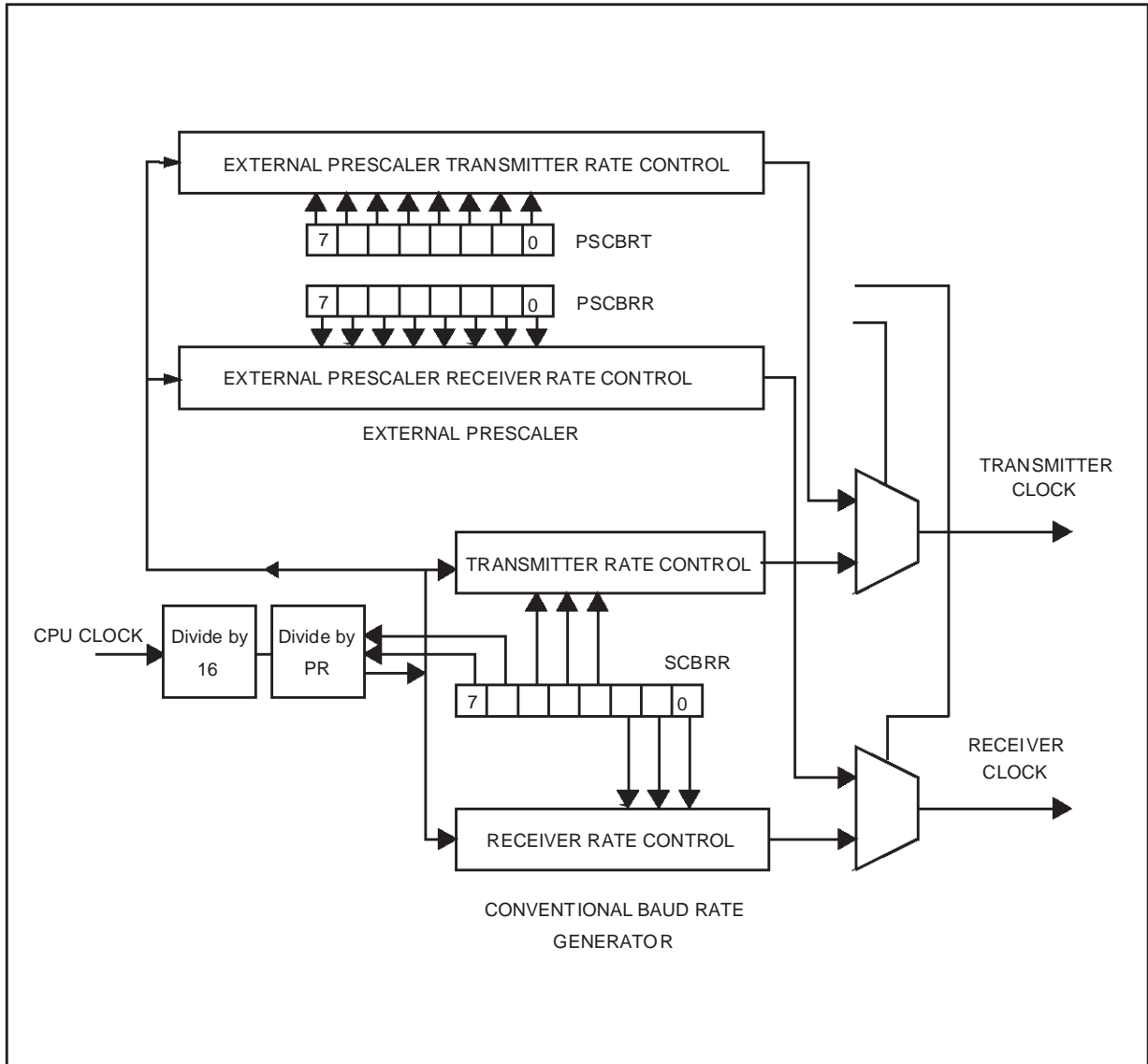
SERIAL COMMUNICATIONS INTERFACE(Cont'd)

Figure 15. SCI Block Diagram



SERIAL COMMUNICATIONS INTERFACE(Cont'd)

Figure 16. SCI Baud Rate and External Prescaler Block Diagram



4.3 16-BIT TIMER

4.3.1 Introduction

One or more Timers may be present in the MCU, depending on product specification. Please refer to the Block Diagram to ascertain available product resources, and to the Memory Map for register addresses.

Each timer consists of a 16-bit free-running counter driven by a programmable prescaler, as well as the control logic required to implement two input capture and two output compare registers. The timer may be used for a variety of purposes, amongst which pulse length measurement of up to two input signals and generation of up to two output waveforms (e.g. PWM). The Timer Block Diagram is illustrated in Figure 1.

Pulse lengths and waveform periods can vary from a few microseconds to many seconds, thanks to the programmable prescaler. When running with a 4MHz internal CPU clock, the timer can have a resolution of 0.5, 1 or 2µs, depending on the setting of the clock control bits in the Timer Control Register (TCR2). A software selectable external clock input pin is available.

Since the timer has a 16-bit architecture, each of its specific functional blocks is associated with a register pair. These registers contain the high order byte and the low order byte respectively of the related function. Access to the high order byte inhibits the associated timer function until the low order byte is also accessed.

Correct software procedures should set bit 'I' of the Condition Code Register before accessing the high order byte to prevent an interrupt from occurring between accesses to the high and low order bytes of any register.

In normal operating mode, reading the MSB of the Input Capture register inhibits Input Capture until the LSB is read. This mechanism allows Input capture to be disabled when the pin is connected to an I/O bit.

When the Pulse Width Modulation (PWM) and One Pulse Mode (OPM) features are selected together, the PWM mode is the only active one.

4.3.2 Counter

The key element of the Programmable Timer is a 16-bit free running counter and its associated register. The counter is preceded by a prescaler which divides the internal clock by two, four or eight, depending on the setting of the clock control bits of the Timer Control Register (TCR2), as illustrated in Table 1 below.

Table 7. Clock Control Bits

CC1	CC0	Clock Divisor
0	0	4
0	1	2
1	0	8
1	1	External Clock

Software can read the counter at any time without affecting its value, either from the Counter Registers or from the Alternate Counter Registers. The only difference between these two read-only register pairs is the way the overflow flag (TOF) is handled during a read sequence.

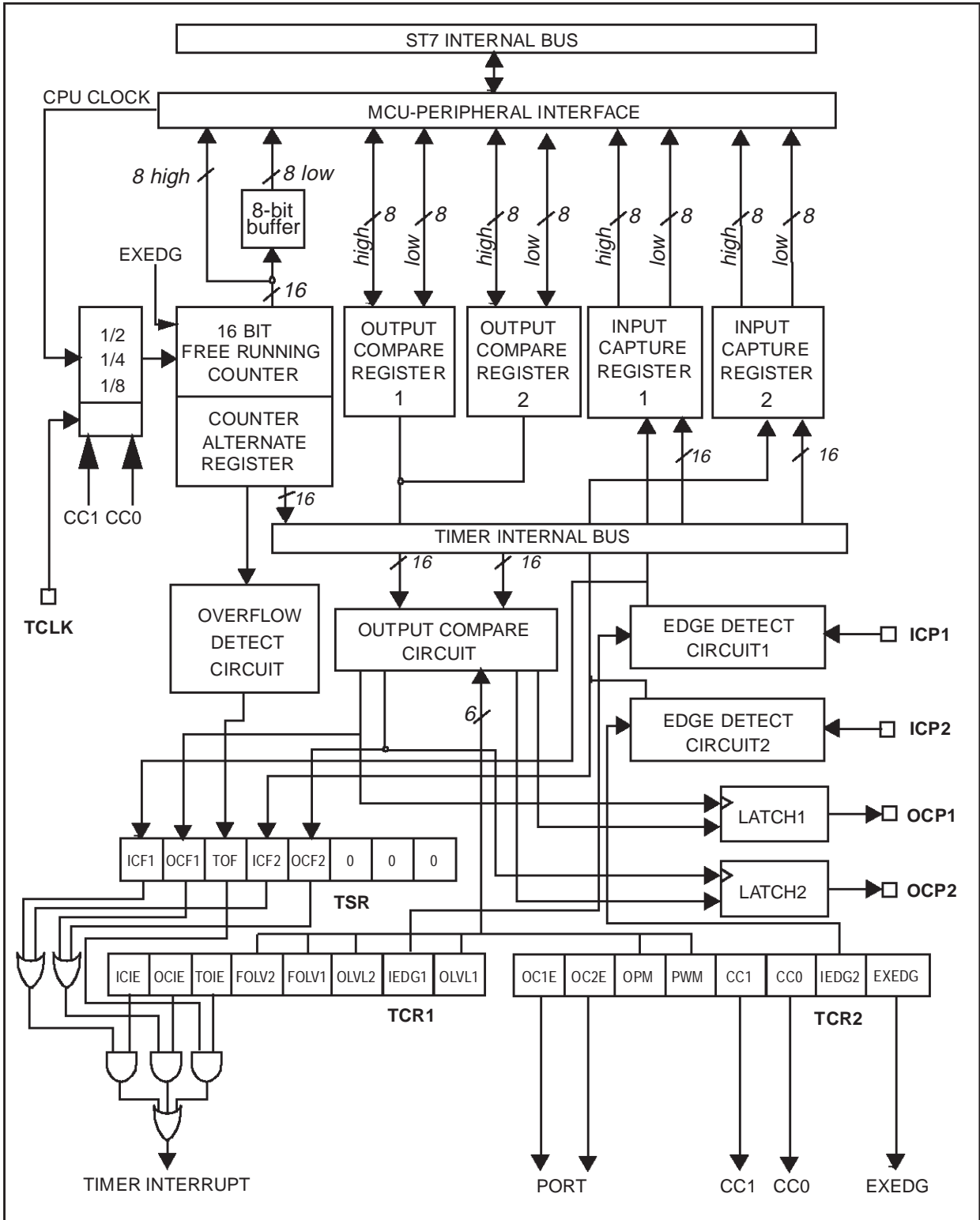
A read sequence where only the least significant byte of the free running counter is read (from either the Counter Register or the Alternate Counter Register), will receive the LSB of the count value at the time of the read.

A read of the most significant byte (from either the Counter Register or the Alternate Counter Register) simultaneously returns the MSB of the count value and causes the LSB to be transferred to a buffer. The buffered value remains unchanged until the 16-bit read sequence is completed, even if the user reads the MSB several times. The read sequence is completed by reading the LSB, which actually returns the buffered value.

As shown in Figure 2, Figure 3 and Figure 4, the free-running counter is set to FFFCh on Reset. During a Power-On Reset (POR) cycle, the counter is loaded with FFFCh and begins running.

16-BIT TIMER (Cont'd)

Figure 17. Timer Block Diagram



16-BIT TIMER (Cont'd)

When the counter rolls over from FFFFh to 0000h, the Timer Overflow flag (TOF) of the Timer Status Register (TSR) is set. A timer interrupt is then generated if the TOIE enable bit of the Timer Control Register (TCR1) is set, provided the I bit of the CCR is cleared. If one of these conditions is false, the interrupt remains pending to be issued as soon as they are both true. The interrupt request is cleared by reading TSR while TOF is set, followed by an access (read or write) to the LSB of the Counter Register.

The TOF flag is not affected by accesses to the Alternate Counter Register. This feature allows simultaneous use of the overflow function and reads of the free running counter at random times (for example, to measure elapsed time) without risking to clear the TOF flag erroneously. Accesses to the timer without the intention of servicing the TOF flag should therefore be performed to the Alternate Counter Register while only the TOF service routine accesses the Counter Register.

The free running counter can be reset under software control, by writing to the LSB of the Counter Register or of the Alternate Counter Register. The counter and the prescaler are then configured to their reset conditions. This reset also completes any 16-bit access sequence. All flags and enable bits are unchanged.

The value in the counter registers repeats every 131,072, 262,144, or 524,288 internal processor clock cycles, depending on the clock control option selected in TCR2. As shown in the timing diagrams, the counter increment is triggered by a falling edge of the CPU clock.

The timer is not affected by WAIT mode. In HALT mode, the counter stops counting until the mode is exited. Counting then resumes from the previous count (MCU awakened by an interrupt) or from the reset count (MCU awakened by a Reset).

4.3.3 External Clock

When the external clock is selected by setting the relevant clock control bits in TCR2, the counter clocks on each external clock rising edge, if EXEDG in TCR2 is set, or the falling edges if reset, and is synchronised with the falling edge of the internal CPU clock.

At least four falling edges of the CPU clock must occur between two consecutive active edges of the external clock; thus the external clock frequency must be less than a quarter of the CPU clock frequency.

The parasitic pulses generated by the EXTEDG and EXTCLKE transitions are filtered during two clock periods, so the manipulation of the external clock control bits must occur before or after two internal clock periods.

16-BIT TIMER (Cont'd)

Figure 18. Timer Timing Diagram, internal clock divided by 2

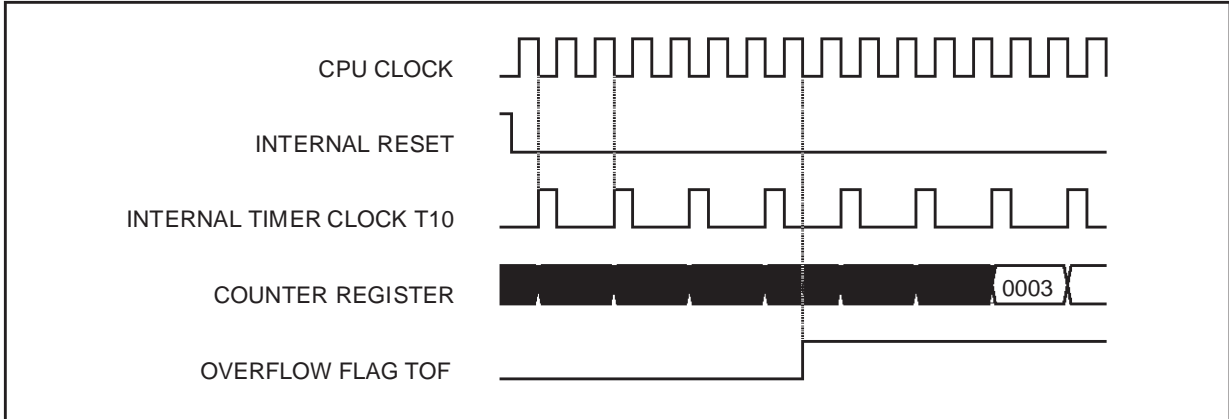


Figure 19. Timer Timing Diagram, internal clock divided by 4

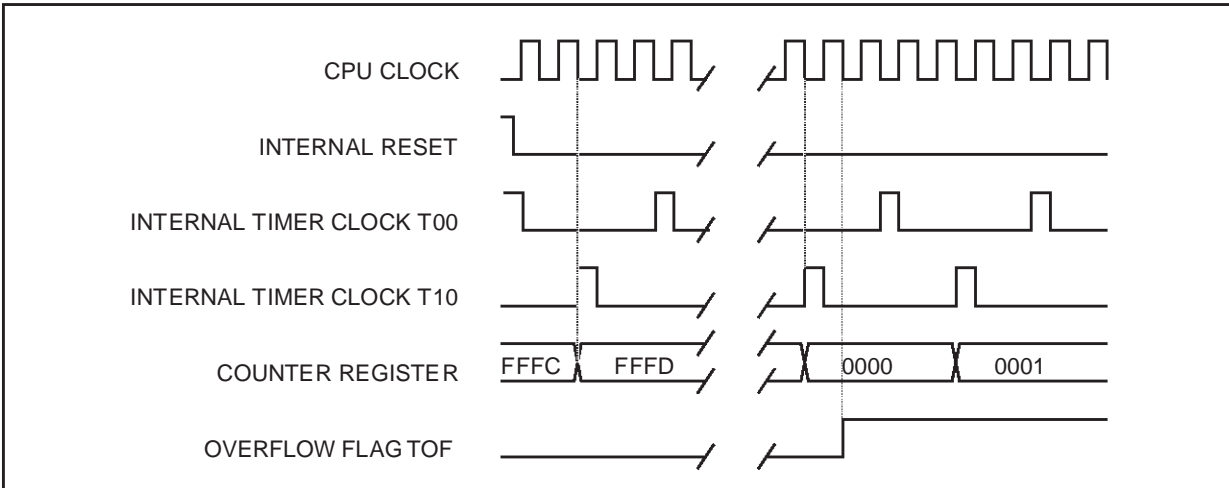
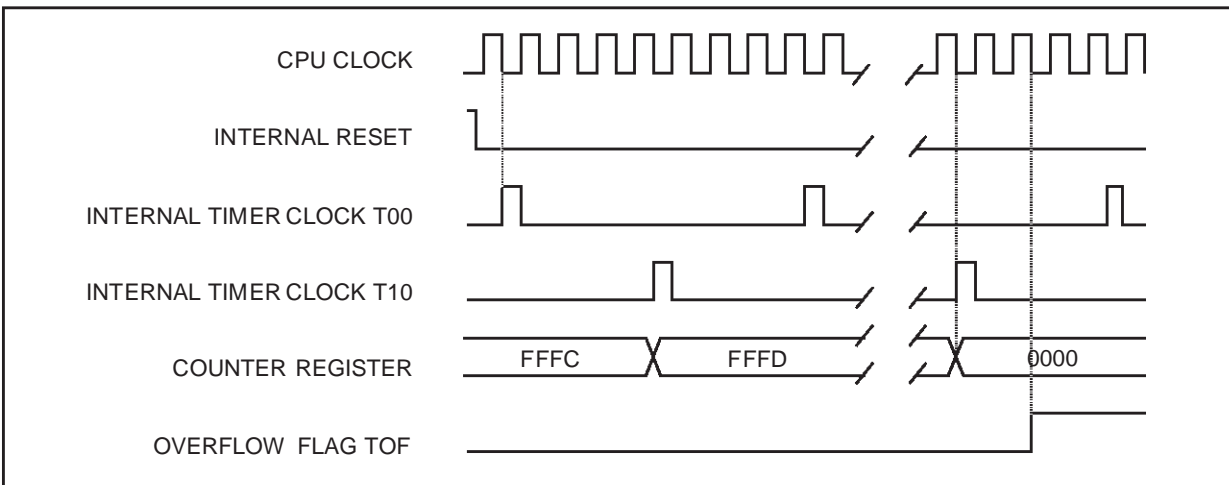


Figure 20. Timer Timing Diagram, internal clock divided by 8



16-BIT TIMER (Cont'd)

4.3.4 Input Capture

The timer features two input capture registers and an input capture interrupt enable bit.

The Input Capture Registers (ICR1 and ICR2) each consist of two 8-bit registers: the most significant byte registers (ICHR1 and ICHR2), and the least significant byte registers (ICLR1 and ICLR2).

In the following description, the variable *i* may represent 1 or 2.

ICR*i* is a read-only registers used to latch the value of the free running counter after a defined transition is sensed by the input capture edge detector at pin ICAP*i*. This transition is software programmable through the IEDG*i* bit of the Timer Control Register (TCR*i*). When IEDG*i* is set, a rising edge triggers the capture; when IEDG*i* is low, the capture is triggered by a falling edge.

When an input capture occurs, the ICF flag in the Timer Status Register (TSR) is set. An interrupt is requested if the interrupt enable bit, ICIE, of TCR1 is set, provided the I bit of the CCR is reset. Otherwise, the interrupt remains pending until both conditions become true. It is cleared by reading the TSR followed by a read or write of the LSB of ICR.

The result stored in ICR*i* is one more than the value of the free running counter on the rising edge of the internal processor clock preceding the active transition on the ICAP*i* pin (see Figure 5). This delay is required for internal synchronization. Therefore, the timing resolution of the input capture system is one count of the free running counter, i.e. 2, 4 or 8 internal clock cycles, depending on the clock control bits of TCR2.

The free running counter is transferred to ICR on each proper signal transition regardless of whether the Input Capture Flag ICF is set or cleared. The ICR*i* always contains the free running counter value which corresponds to the most recent input capture.

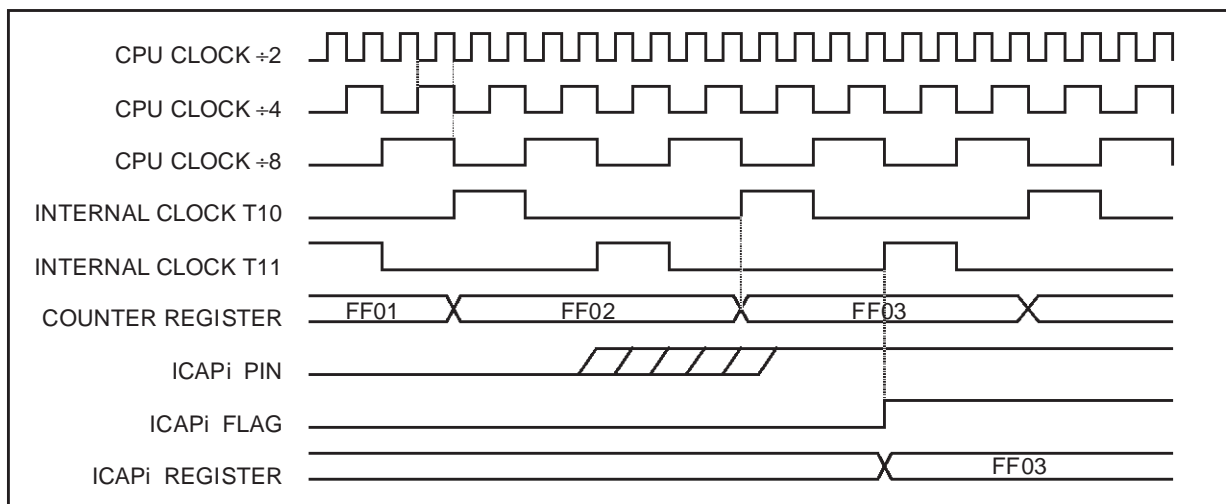
After reading the MSB of ICR*i*, transfer of input capture data is inhibited until the LSB is also read. This implies that the minimum pulse period is determined by the time required to respond to the interrupt and to execute the service routine.

Reading ICLR*i* does not inhibit transfer of counter data. The minimum pulse period is determined by the time required to read the least significant byte and to perform necessary actions. There is no conflict between reading ICR*i* and the running counter transfer, since they occur on opposite clock edges as shown in Figure 5.

ICR*i* is undetermined on power-on, and is not affected by an external Reset. Hardware circuitry must provide protection against generating an undesired input capture when changing the edge sensitivity option of the ICAP*i* pin by programming the IEDG*i* bit.

During HALT mode, if at least one valid input capture edge occurs on the ICAP*i* pin, the input capture detection circuitry is armed. This does not set any timer flags, and does not "wake-up" the MCU. If the MCU is awoken by an interrupt, the input capture flag will be active, and data corresponding to the first valid edge during HALT mode will be present. If HALT mode is exited by a Reset, the input capture detection circuitry is reset and thus, any active edge that occurred during HALT mode will be lost.

Figure 21. Input Capture Timing Diagram



16-BIT TIMER (Cont'd)

4.3.5 Output Compare

Two output compare registers are present: Output Compare Register 1 and Output Compare Register 2 (OCR1 and OCR2). These registers can be used for several purposes, such as controlling an output waveform or indicating when a period of time has elapsed. The OCMP i pin is associated with the Output Compare i function ($i = 1$ or 2).

The Output Compare Registers are unique in that all bits are readable and writable and are not affected by the timer hardware or by Reset. If a compare function is not used, the two bytes of the corresponding Output Compare Registers can be used as general purpose storage locations.

4.3.5.1 Output Compare Registers

The Output Compare Register i (OCR i) is a 16-bit register, which is made up of two 8-bit registers: the most significant byte register (OCHR i) and the least significant byte register (OCLR i).

In this section, the index, i , may be 1 or 2.

The content of OCR i is compared with the content of the free running counter once during every timer clock cycles, i.e. once every 8, 4 or 2 internal processor clock periods or 2 external clock periods according to the clock control bits of the Timer Control Register (TCR2). If match is found, the Output Compare Flag OCF i of the TSR is set and the Output Level bit (OLVL i) of the TCR1 is clocked to the OCMP i pin (see output compare timing diagrams Figure 6, Figure 7, Figure 8). OLVL i is copied to the corresponding output level latch and hence, to the OCMP i pin regardless of whether the Output Compare Flag (OCF i) is set or not. The value in the OCR i and the OLVL i bit should be changed af-

ter each successful comparison in order to control an output waveform or establish a new elapsed timeout.

An interrupt accompanies a successful output compare if the corresponding interrupt enable bit OCIE of the TCR1 is set, provided the I-bit of the CCR is cleared. Otherwise, the interrupt remains pending until both conditions are true. It is cleared by a read of TSR followed by an access to the LSB of the OCR i .

After a processor write cycle to the OCHR register, the output compare function is inhibited until the OCLR i is also written. Thus, the user must write both bytes if the MSB is written first. A write made to only the LSB will not inhibit the compare function. The minimum time between two successive edges on the OCMP i pin is a function of the software program and the clock control bits of the TCR2.

The OCMP i output latch is forced low during reset and stays low until valid compares change it to a high level. Because the OCF i flag and the OCR i are undeterminate at power-on and are not affected by an external reset, care must be exercised when initiating the output compare function with software. The following procedure is recommended to prevent the OCF i flag from being set between the time it is read and the write to OCR i :

- Write to OCHR i (further compares are inhibited).
- Read the TSR (first step of the clearance of OCF i , which may be already set).
- Write to OCLR i (enables the output compare function and clears OCF i).

16-BIT TIMER (Cont'd)

Figure 22. Output Compare Timing Diagram, internal clock divided by 8

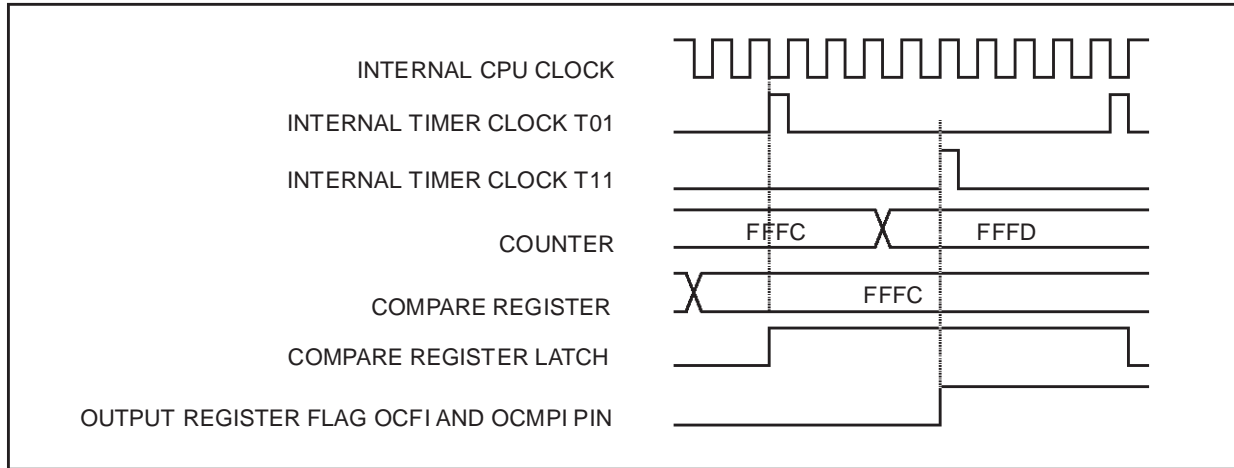


Figure 23. Output Compare Timing Diagram, internal clock divided by 4

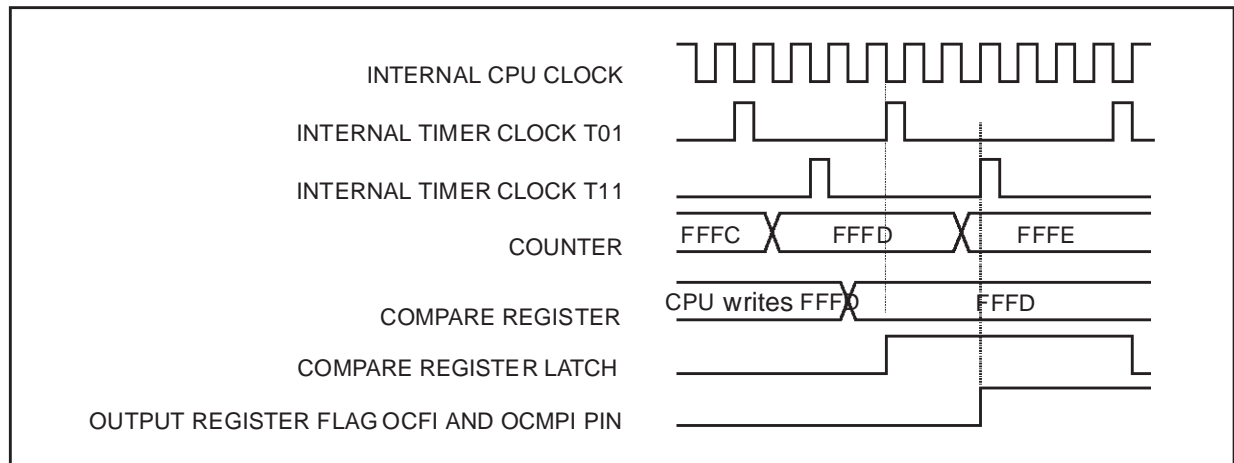
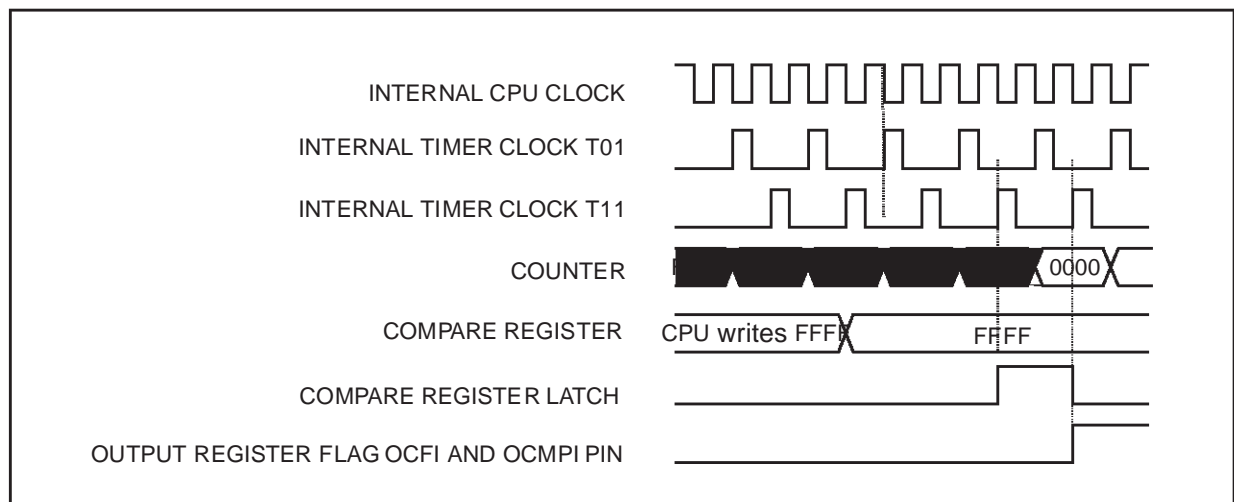


Figure 24. Output Compare Timing Diagram, internal clock divided by 2



16-BIT TIMER (Cont'd)

4.3.5.2 Forced Compare Mode

The main purpose of the Forced Compare mode is to facilitate fixed frequency generation.

In this section *i* may represent 1 or 2.

When the Forced Output Level *i* bit (FOLV_{*i*}) of TCR1 is written to 1, OLVL_{*i*} is copied to the OCMP_{*i*} pin. To provide this capability, internal logic allows a single instruction to change OLVL_{*i*} and causes a forced compare with the new value of OLVL_{*i*}. OCF_{*i*} is not affected, and thus no interrupt request is generated.

4.3.5.3 One Pulse Mode

The One Pulse mode enables the generation of a pulse on the occurrence of an external event and is programmed via the OPM bit in the TCR2 register.

The trigger event is applied to the Input Capture1 pin (ICAP1); the active edge of the event is flagged by the IEDG1 bit in TCR1.

Then, on an event on ICAP1, the counter is initialized to FFFCh and OLVL2 is loaded on the output compare 1 pin (OCMP1); when the value of the counter is equal to the value of the contents of OCR1, the OLVL1 bit is output on the Output Compare 1 pin (OCMP1). No interrupt is generated. (See Figure 9).

4.3.5.4 Pulse Width Modulation Mode

This mode is similar to the One Pulse mode, in which the external event is replaced by the Output Compare 2 event; this mode is programmed via the PWM bit in the TCR2 register.

OCR1 then contains the length of the pulse, while OCR2 contains the value of the period; the Output Compare 2 event causes the counter to be initialized to FFFCh (See Figure 10). No interrupt is generated

Figure 25. One Pulse Mode Timing, IEDG1=1; OCR1=2ED0h

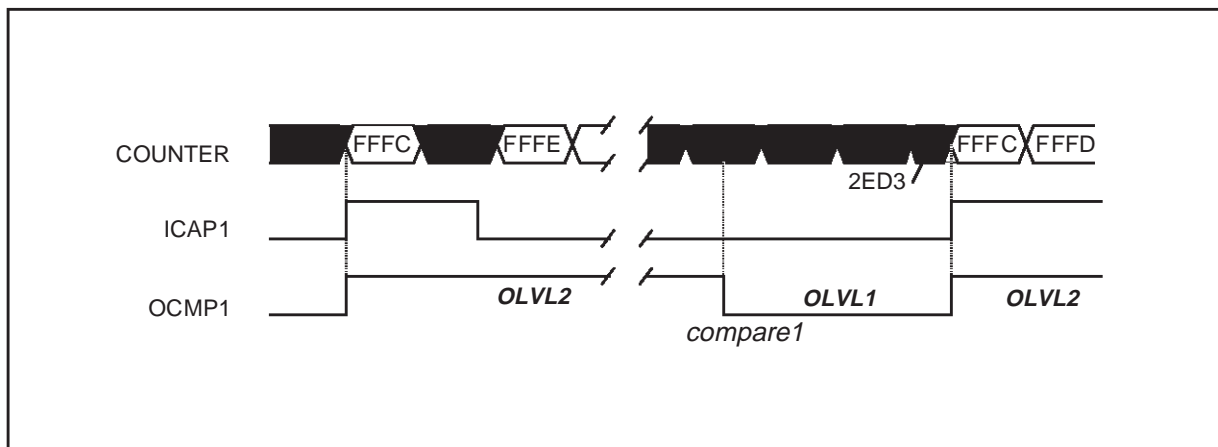
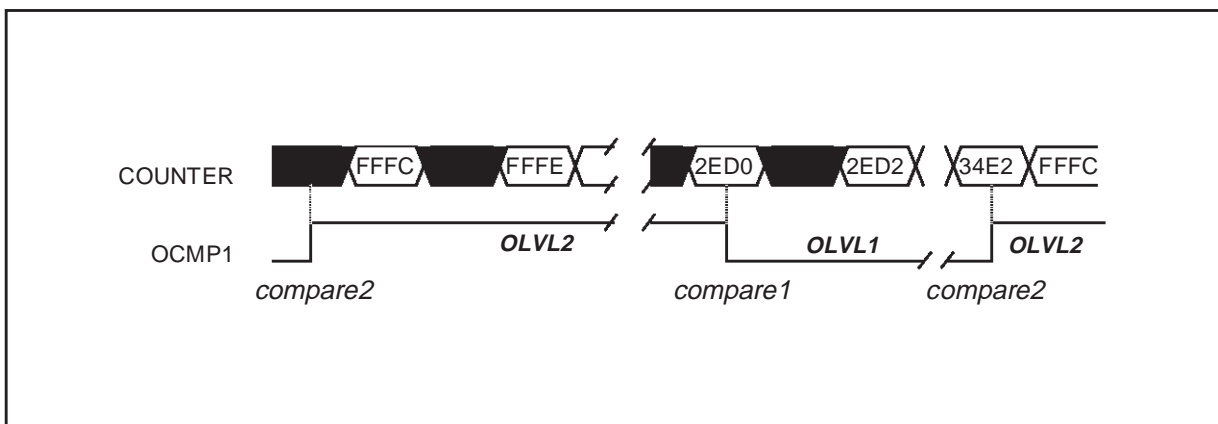


Figure 26. Pulse Width Modulation Mode Timing, OCR1=2ED0h, OCR2=34E2



16-BIT TIMER (Cont'd)

4.3.6 Timer Registers

As can be seen from the Memory Map, each Timer is associated with three control and status registers which are described in detail below, as well as with six pairs of data registers (16-bit values) relating to the two input captures, the two output compares, the counter and the alternate counter. These six pairs of data registers are self-explanatory and need no further description.

TIMER CONTROL REGISTER 1 (TCR1)

Address: see Memory Map — Read/Write

Reset Value: 0000 0000b

7							0
ICIE	OCIE	TOIE	FOLV2	FOLV1	OLVL2	IEDG1	OLVL1

Bit 7 = ICIE Input Capture Interrupt Enable

If ICIE is set, a timer interrupt is enabled whenever the ICF1 or ICF2 status flags of TSR are set. If the ICIE bit is cleared, the interrupt is inhibited.

Bit 6 = OCIE Output Compare Interrupt Enable

If OCIE is set, a timer interrupt is enabled whenever the OCF1 or OCF2 status flags of TSR are set. If the OCIE bit is cleared, the interrupt is inhibited.

Bit 5 = TOIE Timer Overflow Interrupt Enable

If TOIE is set, a timer interrupt is enable whenever the TOF status flag of TSR is set. If the TOIE bit is cleared, the interrupt is inhibited.

Bit 4 = FOLV2 Forced Output Compare 2

When written to 1, FOLV2 forces OLVL2 to be copied to the OCMP2 pin. FOLV2 has no effect otherwise. It can only be reset by a system reset.

Bit 3 = FOLV1 Forced Output Compare 1

When written to 1, FOLV1 forces OLVL1 to be copied to the OCMP1 pin. FOLV1 has no effect otherwise. It can only be reset by a System Reset.

Bit 2 = OLVL2 Output Level 2

The OLVL2 bit is copied to the OCMP2 pin whenever a successful comparison occurs at OCR2.

Bit 1 = IEDG1 Input Edge 1

The value of IEDG1 determines which type of level transition on pin ICAP1 will trigger a free running counter transfer to the ICR1. When IEDG1 is set, a rising edge triggers the capture, and when it is reset, a falling edge does.

Bit 0 = OLVL1 Output Level 1

The OLVL1 bit is copied to the OCMP1 pin whenever a successful comparison occurs at OCR1.

TIMER CONTROL REGISTER 2 (TCR2)

Address: see Memory Map — Read/Write

Reset Value: 0000 0000b

7							0
OC1E	OC2E	OPM	PWM	CC1	CC0	IEDG2	EXEDG

Bit 7 = OC1E Output Compare 1 Enable

If OC1E is set, the Output Compare 1 pin (OCMP1) is dedicated to the output compare 1 capability of the timer. If OC1E is reset, this pin is a general use I/O pin.

Bit 6 = OC2E Output Compare 2 Enable

If OC2E is set, the output compare 2 pin (OCMP2) is dedicated the output compare 2 capability of the timer. If OC2E is reset, this is a general I/O pin.

Bit 5 = OPM One Pulse Mode

If OPM is set, the input pin ICAP1 is usable to trigger one pulse on the output pin OCMP1; the active transition on ICAP1 is given by the state of IEDG1. The length of the generated pulse depends on the the contents of OCR1.

Bit 4 = PWM Pulse Width Modulation

If PWM is set, the output pin OCMP1 outputs a programmable cyclic signal; the length of the pulse depends on the value of OCR1; the period depends on the value of OCR2.

Bit 3, 2 = CC1-CC0 Clock Control

- 00: the internal clock is divided by 4
- 01: the internal clock is divided by 2
- 10: the internal clock is divided by 8
- 11: the external clock is selected as shown in the Block Diagram.

Bit 1 = IEDG2 Input Edge 2

The value of IEDG2 determines which level transition on pin ICAP2 will trigger the free running counter transfer to the ICR2. When IEDG2 is high, a rising edge triggers the capture since when low, a falling edge does.

Bit 0 = EXEDG External Clock Edge

The status of EXEDG determines which type of level transition on the external clock pin EXCLK will trigger the free running counter. When EXEDG is set, the active transition is the rising edge; when EXEDG is reset, the active transition is the falling edge.



16-BIT TIMER (Cont'd)**TIMER STATUS REGISTER (TSR)**

Address: see Memory Map — Read Only

Reset Value: 0000 0000b

The Timer Status Register (TSR) is an 8-bit register of which the five most significant bits contain read-only status information and the three least significant bits are not used.

7							0
ICF1	OCF1	TOF	ICF2	OCF2			

Bit 7 = ICF1 Input Capture Flag 1

ICF1 is set when a proper edge has been sensed by the input capture edge detector at pin ICAP1. The edge is selected by the IEDG1-bit in TCR. ICF1 is cleared by a processor access to the TSR while ICF1 is set followed by an access (read or write) to the low byte of ICR1 (ICLR1).

Bit 6 = OCF1 Output Compare Flag 1

OCF1 is set when the content of the free running counter matches the content of OCR1. It is cleared by a processor access of TSR while OCF1 is set

followed by an access (read or write) to the low byte of OCR1.

Bit 5 = TOF Timer Overflow

TOF is set by a transition of the free running counter from FFFFh to 0000h. It is cleared by a processor access to TSR while TOF is set followed by an access (read or write) to the low byte of the counter low register. TOF is not affected by an access to the Alternate Counter Register.

Bit 4 = ICF2 Input Capture Flag 2

ICF2 is set when a proper edge has been sensed by the input capture edge detector at pin ICAP2. The edge is selected by the IEDG2-bit in TCR. ICF2 is cleared by a processor access to the TSR while ICF2 is set followed by an access (read or write) to the low byte of ICR2 (ICLR2).

Bit 3 = OCF2 Output Compare Flag 2

OCF2 is set when the content of the free running counter matches the content of OCR2. It is cleared by a processor access of TSR while OCF2 is set followed by an access (read or write) to the low byte of OCR2.

Bit 2, 1, 0 = Unused.

4.4 SERIAL PERIPHERAL INTERFACE

4.4.1 Introduction

The Serial Peripheral Interface (SPI) allows devices to be interconnected using a minimum of wires. The SPI is synchronous and thus uses a data and a clock signal; in complex arrays, chip select lines may also be used. An SPI system may be configured as a Master and one or more Slaves, or as a system in which devices may be either Masters or Slaves. Depending on MCU specifications, one or more SPIs may be present.

4.4.2 Features

- Full duplex, three-wire synchronous transfers
- Master or Slave operation
- 2 MHz (maximum) Master bit frequency
- 4 MHz (maximum) Slave bit frequency
- Four programmable Master bit rates
- Programmable clock polarity and phase
- End of transmission interrupt flag
- Write collision flag protection
- Master mode fault protection capability.

4.4.3 Functional Description

A block diagram of the Serial Peripheral Interface (SPI) is shown in Figure 27. In a Master configuration, the Master start logic receives an input from the CPU (in the form of a write to the SPI rate generator data register) and originates the system clock (SCK) based on the internal processor clock. This clock is also used internally to control the state controller as well as the 8-bit shift register.

As a Master device, data is parallel loaded into the 8-bit shift register (from the internal bus) during a write cycle, and then shifted out serially via the MOSI pin to the Slave device(s). During a read cycle, data is received serially from a Slave device via the MISO pin and loaded into the 8-bit shift register. When the 8-bit shift register is loaded, its data is parallel transferred to the read buffer and then made available to the internal data bus during a CPU read cycle.

In Slave configuration, the Slave start logic receives a logic low level (from a Master device) on the \overline{SS} pin, and a system clock input (from the same Master device) on the SCK pin. Thus, the Slave is synchronized with the Master. Data from the Master is received serially on the Slave MOSI pin and is loaded into the 8-bit shift register.

Once the 8-bit shift register is loaded, its data is parallel transferred to the read buffer and then is made available to the internal data bus during a CPU read cycle. During a write cycle, data is parallel loaded into the 8-bit shift register from the internal data bus and then shifted out serially to the MISO pin for application to the Master device.

Figure 29 illustrates the MOSI, MISO and SCK Master-Slave interconnections. Note that the Master \overline{SS} pin is tied to a logic high level and the Slave \overline{SS} pin to a logic low level.

Three registers are associated with each SPI interface: the Serial Peripheral Control Register (SPCR), the Serial Peripheral Status Register (SPSR), and the Serial Peripheral Data I/O register (SPDR). These provide Control, Status, and Data functions. These registers are described in detail in the following pages.

SERIAL PERIPHERAL INTERFACE (Cont'd)

4.4.4 Signal Description

The four basic signals (MOSI, MISO, SCK and \overline{SS}) are described in the following paragraphs. Each signal function is described for both the Master and Slave mode.

The SPE (Serial Peripheral Enable) bit of the SPI Control Register enables and disables the SPI (active high); when the SPI is enabled the associated alternate functions will be attributed to the relevant I/O pins.

The SPI baud rate is the CPU clock divided by a factor defined by software (2, 4, 16, 32).

4.4.5 Master Out Slave In (MOSI)

The MOSI pin is configured as a data output in the Master (mode) device and as a data input in the Slave (mode) device.

In this manner data is transferred serially from a Master to a Slave on this line, most significant bit first, least significant bit last. The timing diagrams shown in the ELECTRICAL CHARACTERISTICS section, CONTROL TIMING subsection, illustrate SPI timing and show the relationship between data and clock (SCK).

Four possible timing relationships may be chosen by using control bits CPOL and CPHA. The Master device always allows data to be applied on the MOSI line a half-cycle before the clock edge (SCK) to allow the Slave device to latch the data.

Both the Slave device(s) and a Master device must be programmed to similar modes for proper data transfer.

When the Master device transmits data to a second (Slave) device via the MOSI line, the Slave device responds by sending data to the Master device via the MISO line. This implies full duplex transmission with both data out and data in synchronized with the same clock signal (which is provided by the Master device). Thus, the byte transmitted is replaced by the byte received and eliminates the need for separate transmit-empty and receiver-full status bits. A single status bit SPIF is used to signify that the I/O operation is complete.

Configuration of the MOSI pin is a function of the MSTR bit in the Serial Peripheral Control Register (SPCR). When operating as a Master, the user should set the MSTR bit, defining the MOSI pin as an output

4.4.6 Master In Slave Out (MISO)

The MISO pin is configured as an input in a Master (mode) device and as an output in a Slave (mode) device. In this manner data is transferred serially from a Slave to a Master on this line, most significant bit first, least significant bit last. The MISO pin of a Slave device is placed in the high-impedance state if it is not selected by the Master, i.e. its \overline{SS} pin is at a logic high level. The timing diagram shows the relationship between data and clock (SCK). Four possible timing relationships may be chosen by using control bits CPOL and CPHA. The Master device always allows data to be applied on the MOSI line a half-cycle before the clock edge (SCK) in order for the Slave device to latch the data.

Note. The Slave device and a Master device must be programmed with similar timing modes for proper data transfer.

When the Master device transmits data to a Slave device via the MOSI line, the Slave device responds by sending data to Master device via the MISO line. This implies full duplex transmission with both data out and data in synchronized with the same clock signal (one which is provided by the Master device.) Thus, the byte transmitted is replaced by the byte received and eliminates the need for separate transmit-empty and receiver-full bits. A single status bit (SPIF) in the Serial Peripheral Status Register (SPSR) is used to signify that the I/O operation is complete.

In the Master device, the MSTR control bit in the Serial Peripheral Control Register (SPCR) should be set (by the program) to allow the Master device to receive data on its MISO pin. In the Slave device, its MISO pin is enabled by the logic high level present on the \overline{SS} pin: i.e. if $\overline{SS} = 1$ the MISO pin is placed in the high-impedance state, whereas if $\overline{SS} = 0$ the MISO pin is an output for the Slave device.

SERIAL PERIPHERAL INTERFACE (Cont'd)

4.4.6.1 Slave Select (\overline{SS})

The Slave select (\overline{SS}) pin receives an active-low signal which is generated by the Master device, in order to enable Slave devices to accept data.

To ensure that data will be accepted by a Slave device, the \overline{SS} line must be at a logic low level prior to the occurrence of SCK (system clock), and must remain low until after the last (eighth) SCK cycle.

Figure 28 illustrates the relationship between SCK and the data for two different level combinations of CPHA, when \overline{SS} is pulled low. These are :

- a) CPHA = 1 or 0, the first bit of data is applied to the MISO line for transfer, and,
- b) when CPHA = 0 the Slave device is prevented from writing to its data register. For further information on the effect the \overline{SS} input and the CPHA have on the I/O data register, refer to the WCL status flag in the "Serial Peripheral Status Register description". A logic high level on the \overline{SS} signal forces the MISO (Master In Slave Out) line to the high-impedance state. Also, SCK and the MOSI (Master Out Slave In) line are ignored by a Slave device when its \overline{SS} signal is at a logic high level.

When a device is a Master, it constantly monitors its \overline{SS} signal input for the presence of a logic low level. The Master device will become a Slave device any time its \overline{SS} signal input is detected as being at a logic low level. This ensures that only one Master controls the \overline{SS} line.

When the \overline{SS} line is detected as being at a logic low level, the Master clears the MSTR control bit (Serial Peripheral Control Register). Also, control bit SPE in the Serial Peripheral Control Register is cleared, causing the Serial Peripheral Interface

(SPI) to be disabled (SPI alternate function pins become inputs). The MODF flag bit in the Serial Peripheral Status Register is also set to indicate to the Master device that another device is attempting to become a Master. Two devices attempting to be outputs are normally the result of a software error. However, the user system can be configured in such manner as to contain a default Master which would automatically "take-over" and restart the system.

4.4.6.2 Serial Clock (SCK)

The Serial Clock is used to synchronize the movement of data both in and out of the device via its MOSI and MISO pins. The Master and Slave devices are capable of exchanging a data byte of information during a sequence of eight clock pulses. Since the SCK is generated by the Master device, the SCK line becomes an input on all Slave devices and synchronizes Slave data transfer. The type of clock and its relationship to data are controlled by the CPOL and CPHA bits in the Serial Peripheral Control Register.

The Master device generates the SCK through a circuit driven by the internal processor clock. Two bits (SPR0 and SPR1) in the Serial Peripheral Control Register of the Master device select the clock rate. The Master device uses the SCK to latch incoming Slave device data on the MISO line and shifts out data to the Slave device on the MOSI line. Both Master and Slave devices must be operated in the same timing mode as defined by the CPOL and CPHA bits in the Serial Peripheral Control Register.

In the Slave device, SPR0 and SPR1 have no effect on the operation of the Serial Peripheral Interface.

SERIAL PERIPHERAL INTERFACE (Cont'd)

Figure 28. Data Clock Timing Diagram

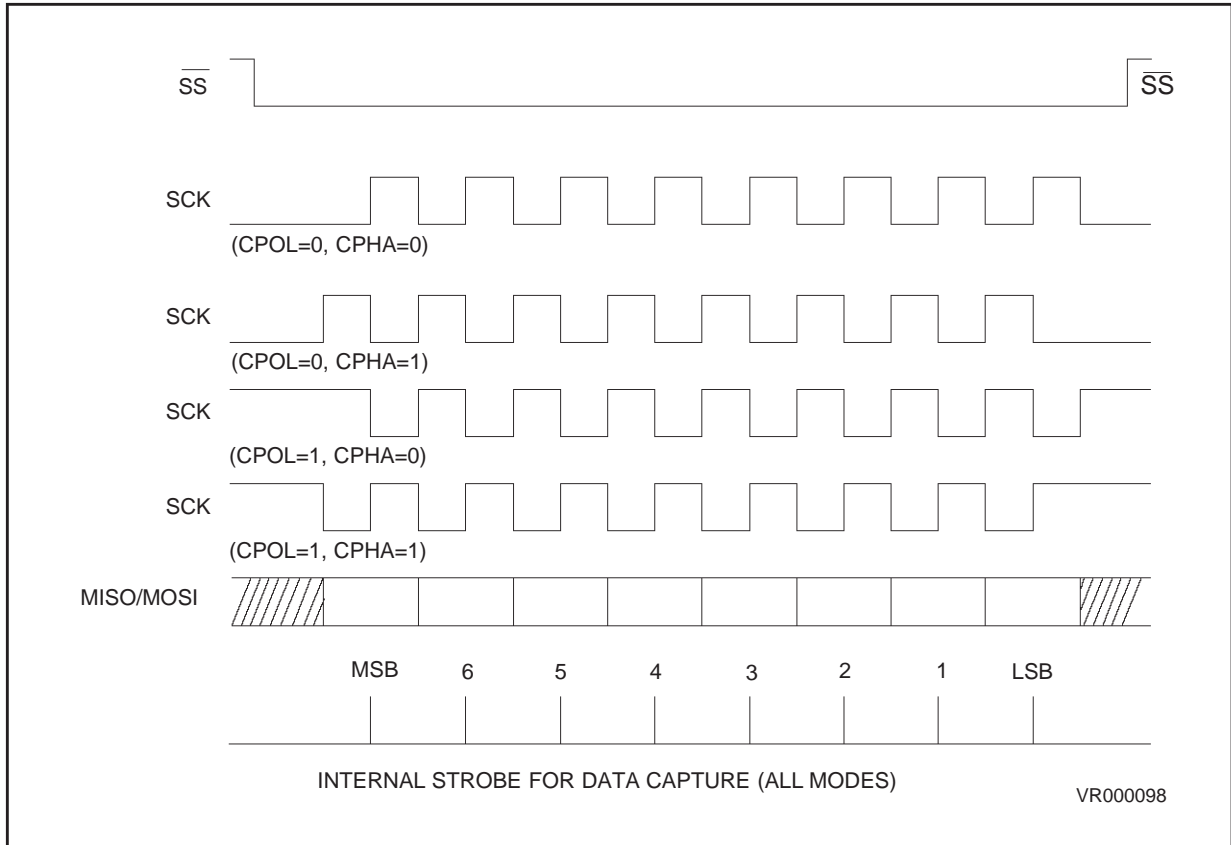
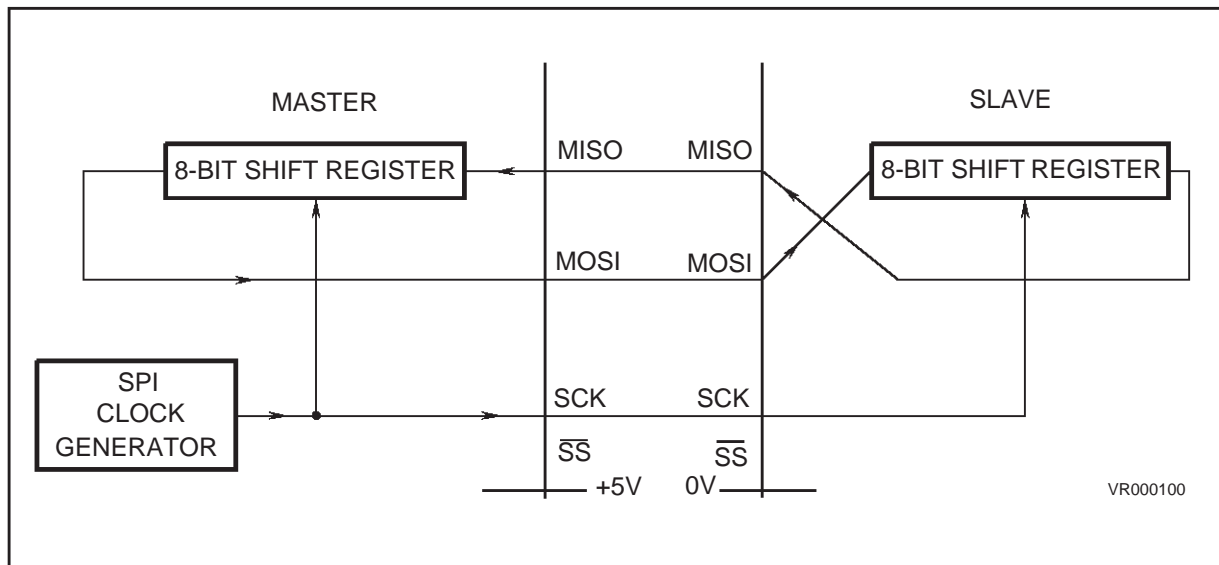


Figure 29. Serial Peripheral Interface Master Slave



SERIAL PERIPHERAL INTERFACE (Cont'd)**4.4.7 Serial Peripheral Control Register (SPCR)**

Address: see Memory Map — Read/Write

Reset Value: 0Xh

7	0						
SPIE	SPE	-	MSTR	CPOL	CPHA	SPR1	SPR0

The Serial Peripheral Control Register bits are defined as follows.

Bit-7 = SPIE Serial Peripheral Interrupt Enable

When the Serial Peripheral Interrupts Enable bit is set a processor interrupt can occur. This forces the proper vector to be loaded into the program counter if the Serial Peripheral Status Register flag bit (SPIF) and /or MODF are set. SPIE does not inhibit the setting of a status bit. The SPIE bit is cleared on Reset.

Bit-6 = SPE Serial Peripheral output Enable

When the Serial Peripheral Output Enable Control bit is set, all output drive is applied to the external pins and the system is enabled. When the SPE bit is set, it enables the SPI system by connecting it to the external pins thus allowing it to interface with the external SPI bus. The pins that are defined as outputs depend on which mode (Master or Slave) the device is in. Because the SPE bit is cleared on Reset, the SPI system is not connected to the external pins on Reset.

Bit-4 = MSTR Master

The Master bit determines whether the device is a Master or a Slave. If the MSTR bit is reset it indicates a Slave device, when it is set it indicates a Master device. If the Master mode is selected, the function of the SCK pin changes from an input to an output and the function of the MISO and MOSI pins are reversed. This allows the user to wire device pins MISO to MOSI, and MOSI to MOSI, and SCK to SCK without incident. The MSTR bit is cleared on Reset: thus the device is always set in Slave mode during Reset.

Bit-3 = CPOL Clock POLarity

The Clock POLarity bit controls the normal or steady state value of the clock when no data is being transferred. The CPOL bit affects both the Master and Slave modes. It must be used in conjunction with the Clock PHase control bit (CPHA) to produce the wanted clock-data relationship between a Master and a Slave device. When the CPOL bit is reset, it produces a steady-state logic low value on the SCK pin of the Master device. If the CPOL bit is set, a logic high level is present on the SCK pin of the Master device when data is not being transferred. The CPOL bit is not affected by Reset.

Bit-2 = CPHA Clock PHase

The Clock PHase bit controls the relationship between the data on the MISO and MOSI pins and the clock produced or received at the SCK pin. This control has effect in both the Master or Slave modes. It must be used in conjunction with the Clock Polarity control bit (CPOL) to produce the wanted clock-data relationship. In general the CPHA bit selects the clock edge which captures data and allows it to change states. It has its greatest impact on the first bit transmitted (MSB) in that it does or does not allow a clock transition before the first data capture edge. The CPHA bit is not affected by Reset.

Bit-1 = SPR1 Serial Peripheral Rate bit 1**Bit-0 = SPR0 Serial Peripheral Rate bit 0**

These two Serial Peripheral Rate bits select one of four baud rates to be used for SCK when the device is a Master. However, these two bits have no effect in Slave mode. The Slave device is capable of shifting data in and out at a maximum rate which is equal to the CPU clock. A rate table is given below for SCK in Master mode. The SPR1 and SPR0 bits are not affected by Reset.

SPR1	SPR0	Internal Processor Clock Division factor
0	0	2
0	1	4
1	0	16
1	1	32

SERIAL PERIPHERAL INTERFACE (Cont'd)**4.4.8 Serial Peripheral Status Register (SPSR)**

Address: see Memory Map — Read Only

Reset Value: 00h

7	0						
SPIF	WCOL	-	MODF	-	-	-	-

The status flags which generate a Serial Peripheral Interface (SPI) interrupt may be blocked by the SPIE control bit in the Serial Peripheral Control Register. The WCOL bit does not cause an interrupt. The Serial Peripheral Status register bits are defined as follows:

Bit-7 = **SPIF** *Serial Peripheral Data Transfer Flag*

The Serial Peripheral Data Transfer Flag bit notifies the user that a data transfer between the device and an external device has been completed. With the completion of the data transfer, SPIF is set, and if SPIE is set, a Serial Peripheral Interrupt is generated. During the clock cycle SPIF is being set, a copy of the received data byte in the shift register is moved to a buffer. When the data register is read, it is the buffer that is read. In the event of an overrun condition, when the Master device has sent several bytes of data and the Slave device has not responded to the first SPIF, only the first byte sent is contained in the receive buffer, and all other bytes are lost.

Data transfer is initiated by the Master device writing to its Serial Peripheral Data I/O Register.

Clearing the SPIF bit is accomplished by a software sequence which accesses the Serial Peripheral Status Register while SPIF is set, followed by a write or read operation on the Serial Peripheral Data I/O Register.

In the Master device, while SPIF is set, all writes to the Serial Peripheral Data I/O Register are inhibited until the Serial Peripheral Status Register is read.

In the Slave device, SPIF can be cleared (using a similar sequence) during a second transmission; however, it must be cleared before the second SPIF bit in order to prevent an overrun condition. The SPIF bit is cleared on Reset.

Bit-6 = **WCOL** *Write Collision status bit*

The Write Collision Status bit informs the user that an attempt was made to write to the Serial Peripheral Data I/O Register while a data transfer was taking place with an external device. The transfer

continues uninterrupted, and therefore a write will be unsuccessful. A "read collision" cannot occur, since the received data byte is placed in a buffer in which access is always synchronous with the MCU operation. If a "write collision" occurs, WCOL is set but no SPI interrupt is generated. The WCOL bit is a status flag only.

Clearing the WCOL bit is accomplished by a software sequence of accessing the Serial Peripheral Status Register while WCOL is set, followed by:

- 1) A read of the Serial Peripheral Data I/O Register prior to the SPIF bit being set, or
- 2) A read or write of the Serial Peripheral Data I/O Register after the SPIF bit is set.

A write to the Serial Peripheral Data I/O Register (SPDR) prior to the SPIF bit being set, will result in generation of another WCOL status flag. Both the SPIF and WCOL bits will be cleared in the same sequence. If a second transfer has started while trying to clear the (previously set) SPIF and WCOL bits with a clearing sequence comprising a write to the Serial Peripheral Data I/O Register, only the SPIF bit will be cleared.

A collision of a write to the Serial Peripheral Data I/O Register while an external data transfer is taking place can occur both in the Master mode and the Slave mode, although with proper programming the Master device should have sufficient information to preclude this collision.

Collision in the Master device is defined as a write of the Serial Peripheral Data I/O Register while the internal rate clock (SCK) is in the process of transfer. The signal on the \overline{SS} pin is always at a logic high level on the Master device.

Collision in a Slave device is defined in two separate modes. A problem arises in a Slave device when the CPHA control bit is reset. When CPHA is reset, data is latched on the occurrence of the first clock transition. The Slave device does not have any way of knowing when that transition will occur; therefore, the Slave device collision occurs when it attempts to write the Serial Peripheral Data I/O Register after its \overline{SS} pin has been pulled low. If the CPHA bit is reset, the \overline{SS} pin on the Slave device freezes the data in its Serial Peripheral Data I/O Register and does not allow it to be altered.

The Master device must raise the \overline{SS} pin of the Slave device to a logic high level between each byte it transfers to the Slave device

SERIAL PERIPHERAL INTERFACE (Cont'd)

The second collision mode is defined by the CPHA control bit being set. With the CPHA bit set, the Slave device will be receiving a clock (SCK) edge prior to the latch of the first data transfer. This first clock edge will freeze the data in the Slave device I/O register and allow the msb on to the external MISO pin of the Slave device. A logic low state on the \overline{SS} pin enables the Slave device, however, data is not output on the MISO pin until the first edge of the data transfer clock. The WCOL bit will only be set if the I/O register is accessed while a transfer is taking place. In this second collision mode, a Master device can hold a Slave device's \overline{SS} pin low during the transfer of several bytes of data without this causing any problems.

Unlike other SPI interfaces, there is no special case of collision which remains undetected by the WCOL bits. The WCOL bit is TOTALLY reliable with regard to collision detection.

Since the Slave device is operating asynchronously with the Master device, the WCOL bit may be used as an indicator of a collision occurrence. This helps alleviate the user from a strict real-time programming effort. The WCOL is cleared on Reset.

Bit-4 = **MODF** Mode Fault flag

The function of the mode fault flag is defined for the Master mode (device). If the device is a Slave device the MODF bit will be prevented from toggling from reset to set; however, this does not prevent the device from being in the Slave mode with the MODF bit set.

The MODF bit is normally reset, and is set only when the Master device has its \overline{SS} pin pulled low. Toggling the MODF bit to the set state affects the internal Serial Peripheral Interface (SPI) system in the following ways:

- a) MODF is set and SPI interrupt is generated if SPIE is set.
- b) The SPE bit is forced to a reset state. This blocks all output from the device and disables the SPI system.
- c) The MSTR bit is forced to a reset state, thus forcing the device into the Slave mode.

Clearing the MODF is accomplished by a software sequence which accesses the Serial Peripheral Status Register while MODF is set, followed by a write to the Serial Peripheral Control Register.

To avoid multiple Slave conflicts in a system comprising several MCUs, the \overline{SS} pin must be pulled high during the clearing sequence of MODF. Control bits SPE and MSTR may be restored to their original set state during this clearing sequence, or after the MODF bit has been cleared. Hardware does not allow the user to set the SPE and MSTR bits while MODF is set, unless this occurs during the proper clearing sequence. The MODF flag bit indicates the possible occurrence of a Multimaster conflict for system control, and allows proper exit from normal system operation to Reset or to a default system state. The MODF bit is cleared on Reset.

SERIAL PERIPHERAL INTERFACE (Cont'd)**4.4.9 Serial Peripheral Data I/O Register (SPDR)**

Address: see Memory Map — Read/Write

Reset Value: XXh

7	0
x	x
x	x
x	x
x	x
x	x
x	x
x	x

The Serial Peripheral Data I/O Register is used to transmit and receive data on the serial bus. Only a write to this register will initiate transmission/reception of another byte and this will only occur in the Master device. A Slave device writing to its data I/O register will not initiate a transmission. After having transmitted a byte of data, the SPIF status bit is set in both the Master and Slave devices.

A write or read of the Serial Peripheral Data I/O Register, after accessing the Serial Peripheral Status Register with SPIF set, will clear SPIF.

During the clock cycle the SPIF bit is being set, a copy of the received data byte in the shift register is being moved to a buffer. When the user reads the Serial Peripheral Data I/O Register, the buffer is actually being read. During an overrun condition, when the Master device has sent several bytes of data and the Slave device has not internally responded to clear the first SPIF, only the first byte is contained in the receive buffer of the Slave device; all others are lost. The user may read the buffer at any time. The first SPIF must be cleared by the time a second transfer of data from the shift register to the read buffer is initiated, otherwise an overrun condition will exist.

A write to the Serial Peripheral Data I/O Register is not buffered, and data is placed directly in the shift register for transmission.

The ability to access the Serial Peripheral Data I/O Register is limited when a transmission is taking place. Please refer to the description of the WCOL and SPIF status bits in order to fully appreciate the rules governing the use of the Serial Peripheral Data I/O Register.

4.4.10 Single Master And Multimaster Configurations

There are two types of SPI systems, single Master and Multimaster.

A typical Single Master system may be configured, using one MCU as the Master and four others as Slaves. The MOSI, MISO and SCK pins are all wired to equivalent pins on each device. The Master device generates the SCK clock, whereas the Slave devices all receive it. Since the MCU Master device is the bus Master, it internally controls the function of its MOSI and MISO lines, thus writing data to the Slave devices on the MOSI and reading data from the Slave devices on the MISO lines.

The Master device selects the individual Slave devices by using four pins of a parallel port to control the four \overline{SS} pins of the Slave devices. A Slave device is selected when the Master device pulls its \overline{SS} pin low. The \overline{SS} pins are pulled high, thus disabling the Slave devices during Reset, since the Master device ports will be forced as inputs.

Note that Slave devices need not be enabled in a mutually exclusive fashion, except in order to prevent bus contention on the MISO lines. An example of this is a write to several display drivers to clear a display using a single I/O operation.

To ensure that proper data transmission takes place between the Master device and a Slave device, the Master device may ask the Slave device to respond by echoing a previously received data byte (this data byte can be inverted, or at least be different from the last one sent by the Master device). The Master device will always receive the previous byte back from the Slave if all MISO and MOSI lines are connected and the Slave has not written its data I/O register. Other transmission security methods may be defined using ports as handshake lines, or by means of data bytes containing command fields.

A Multimaster system may also be configured by the user. An exchange of Master control can be implemented by adopting a handshake scheme using the I/O ports, or by an exchange of code messages via the Serial Peripheral Interface system. The principal device controls are the MSTR bit in the Serial Peripheral Control Register and the MODF bit in the Serial Peripheral Status Register.

4.5 I²C BUS INTERFACE

4.5.1 Introduction

The I²C Bus Interface serves as an interface between the MCU and the serial I²C bus. It provides both multimaster and multislave functions, and controls all I²C bus-specific sequencing, protocol, arbitration and timing.

4.5.2 General Features

- Parallel bus/I²C protocol converter
- Multi-Master capability
- Interrupt generation
- Standard I²C mode/Fast I²C mode
- 7-bit Addressing/10-bit Addressing

4.5.2.1 I²C Master Mode Features:

- Flag indicating when the I²C bus is in use
- Flag indicating the loss of arbitration
- Flag indicating the end of the byte transmission
- Transmitter/Receiver flag
- Clock generation

4.5.2.2 I²C Slave Mode Features:

- Start bit detection flag
- Detection of a misplaced Start or Stop condition
- Detection of a problem during transfer
- Address Matched detection
- General call detection
- Flag indicating the end of the byte transmission
- Transmitter/Receiver flag

4.5.3 Functional Description

In addition to receiving and transmitting data, this interface converts it from serial to parallel format and vice versa, using either an interrupt or polled handshake. The interrupts are enabled or disabled by software. The interface is connected to the I²C bus by a data pin (SDA) and by a clock pin (SCL). It can be connected both with a standard I²C bus and a Fast I²C bus. This selection is made by software.

The interface can operate in the four following modes:

- Master transmitter
- Master receiver
- Slave transmitter
- Slave receiver

When it is inactive, it operates in Slave Mode.

This interface enables the multimaster function thanks to an automatic switch between Master and Slave mode in the event of a loss of arbitration: the Slave process is always active when a start condition is detected on the SDA line. When acting as Master, it initiates a data transfer and generates the clock signal. A serial data transfer always begins with a start condition and ends with a stop condition. Both start and stop conditions are software generated in Master mode. In Slave mode, the interface is capable of recognising its own address (7-bit or 10-bit), a general call address or a start byte. The general call may be enabled or disabled by software.

Data and addresses are transferred as 8-bit bytes, MSB first. The first byte following the start condition in 7-bit addressing (two first bytes in 10-bit addressing) is the address byte; it is always transmitted in Master mode. A 9th clock pulse follows the 8 clock cycles of a byte transfer, during which the receiver must send an acknowledge bit to the transmitter. Acknowledge may be enabled and disabled by software.

When in Transmitter mode, the interface waits for the MCU to write the byte in the Data Register, by holding the clock line low before transmission; when in Receiver mode, it waits for the MCU to read the byte in the Data Register by holding the clock line low after reception.

The I²C Bus Interface has seven internal registers. Three of these are used for interface initialization (Own Address Registers and Clock Control Register). The remaining four registers are used during data transmission/reception (Data Register, Control Register and Status Register).

The SCL frequency (F_{SCL}) is controlled by a programmable clock divider which depends on the I²C bus mode. The I²C interface address is stored in two registers (OAR) in order to allow 10-bit addressing.

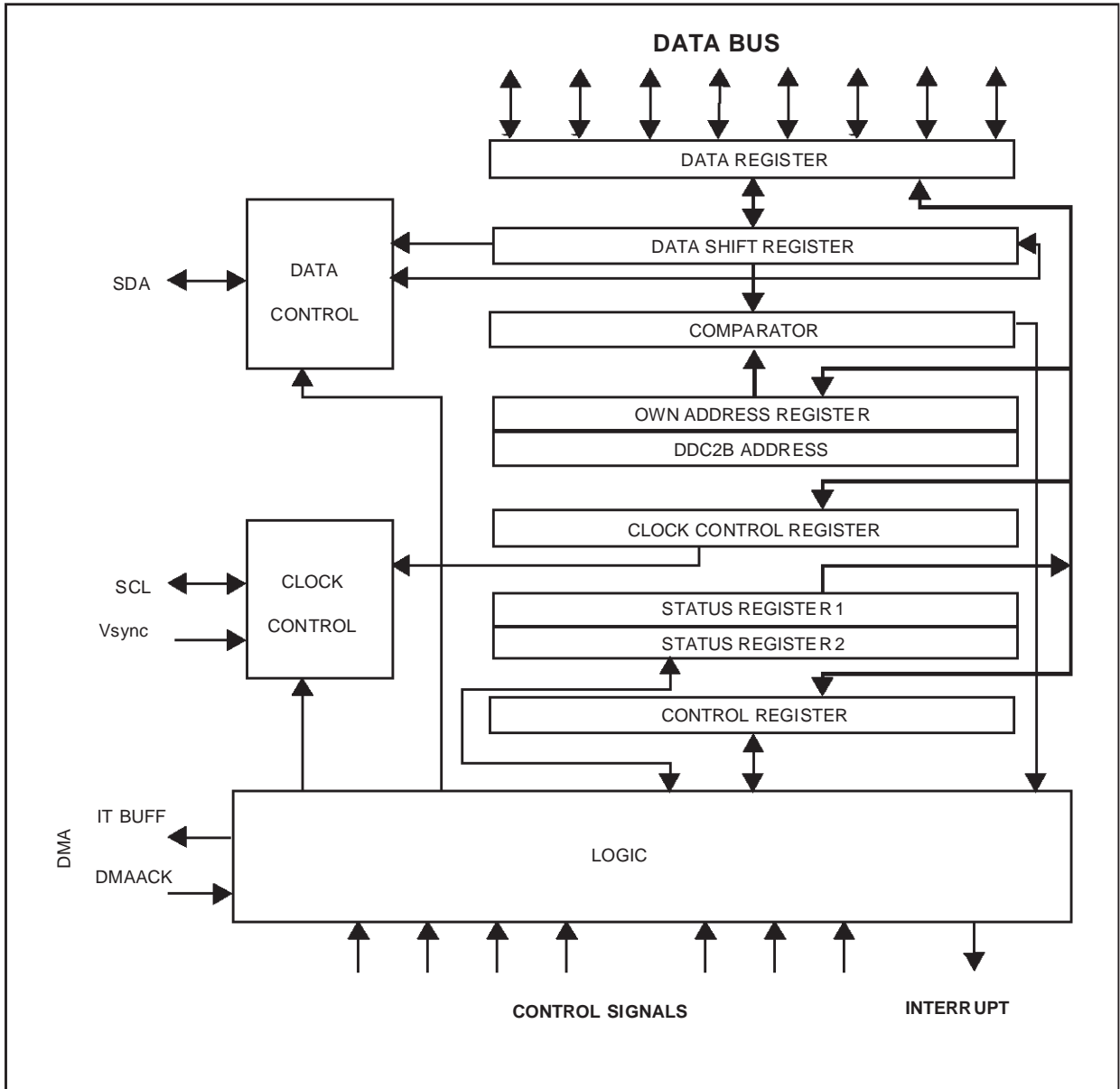
The Peripheral Enable bit (bit 6) of the I²C Control Register activates the I²C interface and configures the I/O as I²C pins. The speed of the I²C interface may be selected between 100KHz and 400KHz.

When the I²C cell is enabled, PA4 and PA6 are configured as open-drain. In this case, the external pull-up resistance should be 10K Ω or more.

When the I²C cell is disabled, PA4 and PA6 revert to being standard I/O port pins.

I²C BUS INTERFACE (Cont'd)

Figure 30. I²C Interface Block Diagram



I²C BUS INTERFACE (Cont'd)

4.5.4 EPROM/ROM I²C COMPATIBILITY APPLICATION NOTE

In order to insure full compatibility between the EPROM and the ROM versions of the ST7285 microcontroller, certain timing conditions have to be respected when using the I²C interface.

Otherwise the I²C interface of the ST72E85 can:

- Detect an unexpected START or STOP condition with BUS ERROR detection
- Generate unexpected BTF flag settings

Unexpected START or STOP condition detection

In the ST72E85 device, due to the synchronisation between the I²C peripheral and the f_{CPU} (4.332MHz), an unexpected START or STOP condition can be detected in Slave mode. This generates an unexpected Bus Error and sets the BERR bit in the SR2 register.

To avoid this effect, the following I²C timing has to be respected:

- t_{suDAT} > 1/f_{CPU} ~ 230,84ns
- t_{hdDAT} > 1/f_{CPU} ~ 230,84ns

In the ROM version of the ST7285, the I²C peripheral and f_{CPU} are asynchronous, so no unexpected START or STOP condition can be detected.

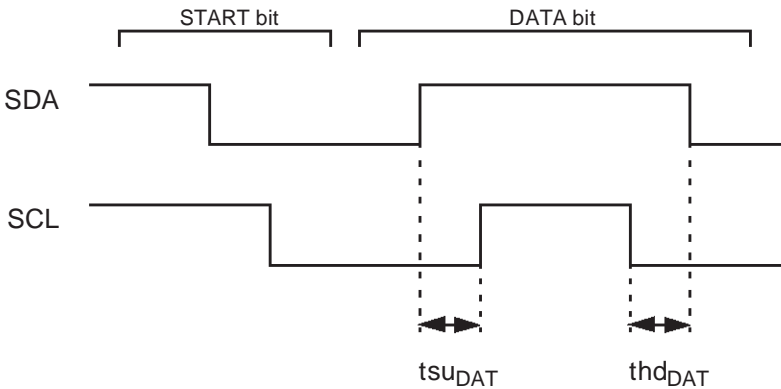
Unexpected BTF flag setting after a STOP condition

Due to the reason described in the previous paragraph, the BTF flag can be set unexpectedly in the I²C interface of the ST72E85 after a STOP condition is detected in Slave mode.

To recover from this condition, reset and subsequently set the PE bit in the CR register when the STOPF and BTF flags are set at the same time after a STOP condition detection.

The I²C interface is not subject to this effect in the ROM version of the ST7285.

Figure 31. I²C Timing Diagram



I²C BUS INTERFACE (Cont'd)

4.5.5 Register Description

CLOCK CONTROL REGISTER (CCR)

Address: 002Bh — Read / Write

Reset Value: 00h

7							0
FM/SM	CC6	CC5	CC4	CC3	CC2	CC1	CC0

b7: **FM/SM** Fast / Standard I²C mode

When the bit is set to 1 the interface operates in the fast I²C bus mode.

When the bit is set to 0 the interface operates in the standard I²C bus mode.

b6-0: **D6-D0** 7 bit divider programming

Implementation of a programmable clock divider

In Standard I²C mode:

$F_{scl} = \text{PHI1} / (2x([D6..D0]+2))$; in this case, F_{scl} varies between 15.75KHz and 100 KHz (if PHI1=4MHz).

In Fast I²C mode:

$F_{scl} = \text{PHI1} / (3x([D6..D0]+2))$; in this case, F_{scl} varies between 10.5 KHz and 333KHz (if PHI1=4MHz).

Table 8. Example of SCL frequency with PHI1 = 4 MHz in Standard I²C mode

FM/SM	D6	D5	D4	D3	D2	D1	D0	F _{scl} (Khz)
0	0	0	1	0	0	1	0	100
0	0	0	1	1	0	1	1	70
0	0	1	0	0	1	1	0	50
0	1	0	0	1	1	1	0	25
0	1	1	1	1	1	1	1	15.75
1	0	0	0	0	0	1	0	333
1	0	0	0	0	1	0	1	190
1	0	0	0	0	1	1	0	167
1	0	0	0	1	1	0	1	89
1	0	0	1	1	0	1	1	43
1	1	1	1	1	1	1	1	10.5

I²C BUS INTERFACE (Cont'd)**DATA REGISTER (DR)**

Address: 002Eh — Read / Write

Reset Value: 00h

7								0
DR7	DR6	DR5	DR4	DR3	DR2	DR1	DR0	

In transmitter mode, DR contains the next byte of data which is to be applied to the shift register. The byte transmission begins after the DR write by the microcontroller.

In receiver mode, DR contains the last byte of data received from the shift register. The next byte receipt begins after the DR read by the microcontroller.

OWN ADDRESS REGISTER 1 (OAR1)

Address: 002Ch — Read / Write

Reset Value: 00h

7								0
ADD7	ADD6	ADD5	ADD4	ADD3	ADD2	ADD1	ADD0	

In 7-bit addressing, [ADD7..ADD1] are the address of the peripheral.

In 10-bit addressing, [ADD7..ADD0] are the least significant bits of the address of the peripheral.

OWN ADDRESS REGISTER 2 (OAR2)

Address: 002Dh — Read / Write

Reset Value: 00h

7								0
-	-	-	-	-	ADDE2	ADDE1	-	

b7-3 = reserved.

b2-1 = [ADDE2..ADDE1] are the most significant bits of the address of the peripheral in 10-bit addressing.

In 7-bit addressing, the first byte following the start condition is the address byte. The least significant bit is the data direction bit.

In 10-bit addressing, the first two bytes following a start condition are the address bytes. The first seven bits of the first byte are the combination 11110xx of which the last two bits are the two most significant bits of the 10-bit addressing; the eighth bit is the data direction bit. The second byte contains the remaining 8 bits of the 10-bit address.

b0 = reserved.

Various combinations of read/write formats in 10-bit addressing:

Master-transmitter/Slave-receiver

S	Slave_address 1st 7bits	0	A1	Slave_Address 2nd byte	A2	data	A
---	----------------------------	---	----	---------------------------	----	------	---

When a 10-bit address follows a start condition (S), each Slave compares the first seven bits of the first byte of the Slave address (11110xx) with its own address and tests the eighth bit. If the Slave finds a match, it generates an acknowledge (A1) and it compares the eight bits of the second byte (xxxxxxx) with its own address. If the Slave finds a match, it generates an acknowledge (A2). The Slave will remain addressed until it receives a stop condition or a repeated start condition followed by a different Slave address.

Master-receiver/Slave-transmitter

S	Slave_address 1st 7bits	0	A1	Slave_Address 2nd byte	A2	data	
---	----------------------------	---	----	---------------------------	----	------	--

Sr	Slave_address 1st 7bits	1	A	data	A		
----	----------------------------	---	---	------	---	--	--

The direction of the transfer is changed after the second data direction bit. Up to the acknowledge bit A2, the procedure is the same as the one described for a Master-transmitter/Slave-receiver. After a repeated start condition, the Slave remembers that it was addressed before. Then it compares the seven bits of the first byte (11110XX) with its own address.

I²C BUS INTERFACE (Cont'd)

CONTROL REGISTER (CR)

Address: 0028h — Read / Write
 Reset Value: 00h

7	0						
-	-	PE	ENGC	START	ACK	STOP	ITE

b7-6 = reserved.

b5: **PE Peripheral Enable**

1 : Master/Slave capability.

0 : Peripheral disabled (all outputs are released).
 When this bit is reset, all the bits of the control register and the status register except the Stop bit are reset.

PE selects the alternate function on the corresponding I/O.

This bit is set by software and it is cleared by software or by a reset.

PE = 0	PE = 1
PA6 = normal I/O	PA6 = I ² C DATA
PA4 = normal I/O	PA4 = I ² C CLOCK

b4: **ENGC Enable General call**

When this bit is set, the peripheral acknowledges the general call address.

Engc bit is set or cleared by software. It is cleared when the peripheral is disabled (PE=0) or by reset.

b3: **START Generation of a Start condition**

When the Start bit is set in Slave mode, the interface generates a Start condition as soon as the bus is free. In Master mode, it generates a repeated Start condition. Then an interrupt is generated if ITE is set.

This bit is set by software and is cleared by software, when the peripheral is disabled (PE=0) or by reset. It is automatically cleared after the start condition is sent.

b2: **ACK Acknowledge level**

When this bit is set, an acknowledge is returned after an address byte is received or after a data byte is received.

When it is cleared, no acknowledge is returned.

It is set by software and it is cleared by software, when the peripheral is disabled (PE=0) or by reset.

b1: **STOP Generation of a Stop condition**

If the Stop bit is set in Master mode then a stop condition is generated after the transfer of the current byte or after that the current Start condition is sent.

If it is set in Slave mode then both SCL and SDA lines are released in order to recover from an error condition and the peripheral waits for a detection of a Start or a Stop condition. Then the interface waits for a Stop or a Start condition on the lines.

This bit can be cleared by software. It is automatically cleared after the stop condition is sent on the SCL line in Master mode or by reset.

b0: **ITE Interrupt Enable**

When the Interrupt Enable bit is set, the I²C interface interrupt is generated after anyone of these following conditions

- A Start condition is generated in Master mode.
- The address is matched in Slave mode while the ACK flag is at a logic high.
- A data byte has been received or is to be transmitted.
- A loss of arbitration of the bus to another Master in Master mode.
- A misplaced Start or Stop condition is detected
- There is no acknowledge.
- A Stop condition has been detected in Slave mode. While the ITE flag is set, an interrupt is generated, SCL is hold low and the transfer is suspended except when a loss of arbitration or a detection of a Stop condition have been detected. ITE is reset by software, when the peripheral is disabled (PE=0) or by reset.

I²C BUS INTERFACE (Cont'd)**STATUS REGISTER 1 (SR1)**

Address: 0029h — Read Only

Reset Value: 00h

7	0						
SR2F	ADD10	TRA	BUSY	BTF	ADSL	M/SL	SB

b7: SR2F Status Register 2 Flag

SR2F is set when at least one flag in the Status Register 2 is set. It is cleared when all these flags are reset.

b6: ADD10 10 bit Master Addressing Mode

ADD10 is set when the 10 bit addressing mode header ("11110xxx") is sent as the first address byte. When this bit is set, an interrupt is sent to the microcontroller if ITE is set

This bit is cleared by a read of the Status Register, followed by a write in the Data Register. It is also cleared when the peripheral is disabled (PE=0) or by reset.

b5: TRA Transmitter/Receiver

TRA is set when the interface is in data transmission mode.

It is cleared by the detection of a stop condition, by a loss of the bus arbitration (ARLO set). It is also cleared when the peripheral is disabled (PE=0) or by reset.

b4: BUSY Bus Busy

BUSY bit is active when there is a communication in progress on line.

The detection of the communications is always active (even if the peripheral is disabled).

This bit is set by the detection of a Start condition and it is cleared by the detection of a Stop condition or by reset.

b3: BTF Byte Transfer Finished

- In transmitter mode, BTF bit is set after the transmission of a data byte and an acknowledge clock pulse.

It is cleared by a read of the Status Register (with BTF set), followed by a write in the Data Register.

In receiver mode, BTF bit is set after the reception of the acknowledge of a byte.

It is cleared by a reading of the Status Register (with BTF set), followed by a read of the Data Register.

It is also cleared when the peripheral is disabled (PE=0) or by reset.

When BTF is set, the I²C interrupt occurs if ITE is set. Then the microcontroller must access the data register.

b2: ADSL Addressed as Slave

ADSL bit is set when the address comparator recognizes either its own Slave address or the general call address. When this bit is set, an interrupt is sent to the microcontroller if ITE is set.

This bit is cleared by a read of the status register (when ADSL is set). It is also cleared when the peripheral is disabled (PE=0) or by reset.

b1: M/SL Master/Slave

M/SL bit is set when the interface generates a Start condition. When it is set, the interface operates in Master mode.

It is cleared by the detection of a Stop condition, by a loss of arbitration, by reset or when the peripheral is disabled (PE=0).

b0: SB Start Bit (in Master mode)

In Master mode, SB bit is set when the hardware has generated a Start condition. When this bit is set, an interrupt is sent to the microcontroller if ITE is set. Then the microcontroller must write the address byte in the data register.

This bit is cleared by a read of the status register (when SB is set), followed by a write in the data register. It is also cleared when the peripheral is disabled (PE=0) or by reset.

I²C BUS INTERFACE (Cont'd)**STATUS REGISTER 2 (SR2)**

Address: 002Ah — Read Only

Reset Value: 00h

7	0
-	-
-	-
-	-
AF	STOPF
ARLO	BERR
GCAL	

b7-5 = reserved.

b4: AF Acknowledge Failure

The Acknowledge Failure bit is set when no acknowledge is returned. If this bit is set, then an interrupt is sent to the microcontroller if ITE is set. During this interrupt, the SCL line is not hold low. This bit is cleared by a read of the Status Register. It is also cleared when the peripheral is disabled (PE=0) or by reset.

b3: STOPF Stop Detection Flag (in Slave mode)

StopF bit is set when a Stop condition is detected on the SCL line after an acknowledge of byte. When this bit is set, an interrupt is sent to the microcontroller if ITE is set. During this interrupt, the SCL line is not hold low.

This bit is cleared by a read of the status register (when StopF is set). It is also cleared when the peripheral is disabled (PE=0) or by reset.

b2: ARLO Arbitration Lost

ARLO is set when the I²C interface loses the arbitration of the bus to another Master. After ARLO is set, the interface operates in Slave mode (M/SL at a logic low) and an interrupt is generated if ITE is set. During this interrupt, the SCL line is not hold low.

This bit is cleared by a read of the Status register. It is also cleared when the peripheral is disabled (PE=0) or by reset.

b1: BERR Bus Error

BERR bit is set when a misplaced start or stop condition is detected. If this bit is set, then an interrupt is sent to the microcontroller if ITE is set. During this interrupt, the SCL line is not hold low.

The Bus Error flag bit is cleared by a read of the status register (when BERR is set). It is also cleared when the peripheral is disabled (PE=0) or by reset.

b0: GCAL General Call (Slave mode)

If ENGC is set, GCAL is set following detection of a general call address.

It is cleared by the detection of a stop condition, by reset or when the peripheral is disabled (PE=0).

4.5.6 I²C State Machine:

In I²C mode, the I²C interface always operates in Slave mode (M/SL at logic low level) except when it initiates a transmission or a receive sequence.

It enables the multimaster function with an automatic switch from Master mode to Slave mode when the interface loses the arbitration of the I²C bus. So, the Slave process is active both in Slave mode and in Master mode.

4.5.6.1 Slave mode

As soon as a start condition is detected, the address word is received from the SDA line and it is sent to the shift register; then it is compared with the interface address.

– Address no matched: the state machine is reset and it waits for another Start bit.

– Address matched: the Addressed As Slave bit (ADSL) is set and an acknowledge bit is sent to the Master if ACK is set. So an interrupt is sent to the microcontroller if ITE is set; it then waits for the microcontroller to read Status Register 1 by holding the SCL line low.

Then, depending on the Data Direction bit (least significant bit), and after generating an acknowledge, the Slave must enter Send or Receive mode.

4.5.6.2 Slave Receiving

The Slave receives words from the SDA line into the shift register and it sends them to the data register. After each word it generates an acknowledge bit if the Enable Acknowledge flag is set. When the acknowledge bit is sent, the BTF flag is set and an interrupt is generated if ITE is set. Then it waits for the microcontroller to read the Data Register by holding the SCL line low.

- Detection of a Stop or a Start condition during a byte reception: the BERR flag is set and an interrupt is generated.

- Detection of a Start condition after an acknowledge time-slot: the state machine is reset and starts a new process.

- Detection of a Stop condition after an acknowledge time-slot: the Slave state machine is reset. Then the SSTOP flag is set and an interrupt is generated if ITE is set.

- The Stop bit is set in the control register: the state machine is reset after transfer of the current byte.

I²C BUS INTERFACE (Cont'd)

4.5.6.3 Slave Sending

The Slave waits for the microcontroller to write in the Data Register. Then it receives data in the Shift Register and sends it on the SDA line. When the acknowledge bit is received, the BTF flag is set and an interrupt is generated if ITE is set.

- Detection of a Stop or Start condition during a byte transfer: the state machine is reset, the BERR flag is set and an interrupt is generated.
- Detection of a Start condition after an acknowledge time-slot: the state machine is reset and it starts a new process. So, the flag ADSL is set and an interrupt is generated if ITE is set.
- Detection of a Stop condition after an acknowledge time-slot: the state machine is reset. Then the flag SSTOP is set and an interrupt is generated if ITE is set.

4.5.6.4 Master mode

The interface operates in Master mode after generating a Start condition. So, the Start flag must be set in the control register and the I²C bus must be free (Busy bit at logic low level).

Once the Start condition is generated, the M/SL and SB flags are set and an interrupt is generated if ITE is set. The interface waits for the microcontroller to write the Slave address in the Data Register by holding the SCL line low.

The address byte is then sent on the SDA line, an acknowledge clock pulse is sent on the SCL line and an interrupt is generated if ITE is set. The interface waits for the MCU to write to the Control Register by holding the SCL line low. If there is no acknowledge, the AF flag is set and the Master must write a Start or a Stop in the Control Register.

The state machine then enters a send or a receive process, depending on the state of the Data Direction bit (least significant bit); an interrupt is generated if ITE is set.

If the Master loses control of bus arbitration, there will be no acknowledge. The AF flag is set and the Master must write a Start or a Stop in the control register; the ARLO flag is set, the M/SL flag is cleared and the process is reset. An interrupt is generated if ITE is set.

4.5.6.5 Master Sending

The Master waits for the MCU to write in the Data Register by holding the SCL line low. Then the byte is received in the shift register and is sent on the SDA line. The BTF flag is set and an interrupt is generated if ITE is set.

- Detection of a Stop or of a Start condition during a byte transfer: the BERR flag is set and an interrupt is generated if ITE is set.
- The Stop bit is set in the Control Register: a Stop condition is generated after the transfer of the current byte, the M/SL flag is cleared and the state machine is reset. Then an interrupt is generated if ITE is set.
- The Start bit is set in the Control Register: the state machine is reset and it starts a new process. The SB flag is set and an interrupt is generated if ITE is set.
- There is no acknowledge: the AF flag is set and an interrupt is generated if ITE is set.

4.5.6.6 Master Receiving

The Master receives a byte from the SDA line into the shift register and it sends it to the Data Register. So, it generates an acknowledge bit if the ACK bit is set and it generates an interrupt if ITE is set. Then it waits for the microcontroller to read the Data Register by holding SCL line low.

- A detection of a Stop or a Start condition during a byte reception: the flag BERR is set and an interrupt is generated if ITE is set.
- The Stop bit is set in the Control Register: a Stop condition is generated after the transfer of the current byte, the M/SL flag is cleared and the state machine is reset. Then an interrupt is generated if ITE is set.
- The Start bit is set in the Control Register: the state machine is reset and starts a new process. So, the flag SB is set and an interrupt is generated if ITE is set.

I²C BUS INTERFACE (Cont'd)

Transfer sequencing:

Master transmitter: (M/SL=1)

S	IT1	ADD	A	IT2	IT3	DATA	A	IT3	DATA	A	IT3	P
---	-----	-----	---	-----	-----	------	---	-----	------	---	-----	---

IT1: SB =1. This interrupt is cleared by a read of SR1 followed by a write in DR.

IT2: This interrupt is cleared by a read of SR1 followed by a write in CR and in DR.

IT3: BTF=1; TRA=1. This interrupt is cleared by a read of SR1 followed by a write in DR.

Master receiver: (M/SL=1)IT4: This interrupt is cleared by a read of SR1 followed by a write in CR.

S	IT1	ADD	A	IT4	DATA	A	IT5	DATA	A	IT5	P
---	-----	-----	---	-----	------	---	-----	------	---	-----	---

IT5: BTF=1. This interrupt is cleared by a read of SR1 followed by a read of DR.

Slave transmitter: (M/SL=0)

S	ADD	A	IT6	IT7	DATA	A	IT7	DATA	A	IT7	P	IT8
---	-----	---	-----	-----	------	---	-----	------	---	-----	---	-----

IT6: ADSL =1. This interrupt is cleared by a read of SR1 followed by a write in DR.

IT7: BTF=1, TRA=1. This interrupt is cleared by a read of SR1 followed by a write in DR.

IT8: StopF=1. This interrupt is cleared by a read of SR2.

Slave receiver: (M/SL=0)

S	ADD	A	IT9	DATA	A	IT10	DATA	A	IT10	P	IT8
---	-----	---	-----	------	---	------	------	---	------	---	-----

IT9: ADSL =1. This interrupt is cleared by a read of SR1.

IT10: BTF=1. This interrupt is cleared by a read of SR1 followed by a read of DR.

10 bits addressing (Master):

Master:

S	ADD	A	IT11	ADD	A	IT2
---	-----	---	------	-----	---	-----

IT11: ADD10=1. This interrupt is cleared by a read of SR1 followed by a write in DR.

Slave:

S	ADD	A	ADD	A
---	-----	---	-----	---

During IT1,2,3,4,5,6,7,9,10,11 the SCL line is hold low.

S: Start; P: Stop; A: Acknowledge; IT: interrupt.

Detailed timing information is available in the ELECTRICAL CHARACTERISTICS.

4.6 A/D CONVERTER (ADC)

4.6.1 Introduction

The on-chip Analog to Digital Converter peripheral is a single 8-bit successive approximation ratiometric monotonic ADC, to which up to 8 different analog voltages (depending on device specification as illustrated in Block Diagram) may be applied from external sources. The result of the conversion is stored in the 8-bit Data Register. The A/D converter is controlled through the ADC Control/Status Register.

4.6.2 Functional Description

The A/D converter is enabled by setting the A/D Converter ON bit (ADON) in the ADC Control/Status Register. A delay time is then required for the converter to stabilize (typically 10 μ s, see Electrical Characteristics).

When the A/D function is enabled, the associated pins (see MCU Block Diagram) may be used as analog inputs. The inputs must first be enabled for analog input by setting the corresponding bit(s) of the relevant Port Configuration Register as described in the Section on I/O Ports. Bits CH2 to CH0 of the A/D Converter Control/Status Register may then be coded to select the channel to be converted. Using a pin, or pins, as analog inputs does not affect the ability to read the port as logic inputs.

The A/D converter may be disabled by resetting the ADON bit. This feature allows the reduction of power consumption when no conversion is in progress. The A/D converter is disabled after Power-On and external resets.

When enabled, the A/D converter performs a continuous conversion of the selected channel. When

a conversion is completed (16 μ s for $f_{CPU} = 4$ MHz), the result is loaded into the read only Result Data Register and the COCO (Conversion Complete) flag is set. No interrupt is generated. Any write to the A/D Converter Control/Status Register aborts the current conversion, resets the COCO flag and starts a new conversion.

The A/D converter is ratiometric. An input voltage equal to, or greater than V_{DD} , converts to FFh (full scale) without overflow indication if greater. An input voltage equal to, or lower than V_{SS} converts to 00h. The conversion is monotonic: the results never decrease if the analog input does not and never increase if the analog input does not.

The 8-bit conversion is accurate to within 2 LSB. The minimal conversion time is 32 ADC clock cycles (16 μ s if A/D clock frequency at 2 MHz). The A/D converter clock is generated from the CPU clock divided by 2.

The high and low level reference voltages are connected to V_{DD} and V_{SS} . Conversion accuracy may therefore be degraded by voltage drops and noise in the event of heavily loaded or badly decoupled power supply lines.

The A/D converter is not affected by WAIT mode but, in power sensitive applications, it can be disabled before entering this mode. When the MCU enters HALT mode with the A/D converter enabled, the A/D clocks are stopped and the converter is disabled until the HALT mode is exited and the start-up delay has elapsed. A stabilisation time is also required before accurate conversions can be performed.

4.6.3 Register Description

A/D CONTROL/STATUS REGISTER (CSR)

Address: 0071h — Read/Write

Reset Value: 00 h

7							0
COCO	0	ADON	0	0	CH2	CH1	CH0

b7: **COCO** Conversion Complete.

COCO is set as soon as a new conversion can be read from the Result Data Register. COCO is cleared by reading the result or writing to the A/D Converter Control/Status Register.

b6: **Reserved**, must be programmed to 0

b5: **ADON** A/D converter On

ADON allows the A/D converter to be switched on and off in order to reduce consumption when needed. When turned on (ADON = 1), a delay time (typically 10µs) is necessary for the ADC to stabi-

lize. Conversions may be inaccurate during this period.

b4 - b3: **Reserved**, must be programmed to 0.

b2-0: **CH2-CH0** Channel Selection

These bits select the analog input to convert, 000 selecting AIN0 and 111 selecting AIN7 (fewer than 8 lines may be available, depending on device specifications: see Block Diagram).

A/D DATA REGISTER (DR)

Address: 0070h — Read Only

Reset Value: (undefined)

7							0
AD7	AD6	AD5	AD4	AD3	AD2	AD1	AD0

b7-0: **AD7-AD0** Analog Converted Value

This register contains the converted analog value in the range 00h to 0FFh

RDS FILTER (Cont'd)

4.7.2 Functional Description

The RDS filter is of classical Switched Capacitor type, comprising: an anti-aliasing filter, the SC-filter proper and a smoothing filter connected in cascade. The block diagram is given in Figure 33.

The Filter peripheral is composed of the following functional blocks:

- **Prefilter.** The anti-aliasing filter consists of a 2nd order Sallen-Key filter. The phase response in the passband is linear. The cut-off frequency is located at about 360KHz. The prefilter includes an operational amplifier with a gain of 80 dB.
- **SC Filter.** The SC filter is a 8th order bandpass filter. It comprises 4 cascaded biquads. The biquads all have the same scheme and differ only in their capacitor values. The switches are controlled by a clock generator which produces non-overlapping clock phases.
- **Buffer.** The output of the SC-Filter cannot be connected to resistive loads, since this would severely reduce its gain. A buffer is therefore connected between the SC filter and the smoothing filter.
- **Smoothing filter.** The smoothing filter connected to the Sc-filter (through the Buffer) is a simple RC low pass filter. The output is connected to RDSFIL pin (external connection) and to the Comparator.
- **Comparator.** The comparator is connected to the smoothing filter and is able to detect zero-crossing in less than 125ns. The digital output of the comparator is connected via a port to the RDS demodulator.
- **D/A Converter.** A maximum offset of 1mV is allowed on the comparator's inputs. The offset compensation is achieved as follows: in a software selectable test mode, the input of the filter is switched to RDSREF (=2.5V). The D/A converter register (RDSFi1) is set to zero and then incremented by software until the comparator changes its sign.
- **Test Mode Selector.** This function is controlled via 4 bits in the filter control register (RDS Fi2). It selects the various test modes. (see next point).

- **ST7 interface registers.** These are described below.

RDS Fi1

Address 005Ah: — Read/Write Register

7	6	5	4	3	2	1	0
-	COMP	AD5	AD4	AD3	AD2	AD1	AD0

b7 = reserved.

b6 = **COMP**

Comparator output (read only).

b5-0 = **AD5-AD0**

Offset correction value output by D/A (1LSB=2mV).

RDS Fi2

Address 005Bh — Read/Write Register

7	6	5	4	3	2	1	0
-	-	-	PDB	TM3	TM2	TM1	TM0

b7-5 = reserved.

b4 = **PDB**

Power down bit (1 = Run; 0 = Power-down)

b3-0 = **TM3-TM0**

Mode select. Only Modes shown in the table below are valid; other modes are reserved.

TM3	TM2	TM1	TM0	Mode
0	0	0	0	filter off (reset state)
0	0	1	1	normal operating mode
1	1	0	1	offset compensation mode

When the internal filter is switched off, the RDS-COMP pin can be used as an input and to feed the demodulator from an external filter.

4.8 RDS DEMODULATOR

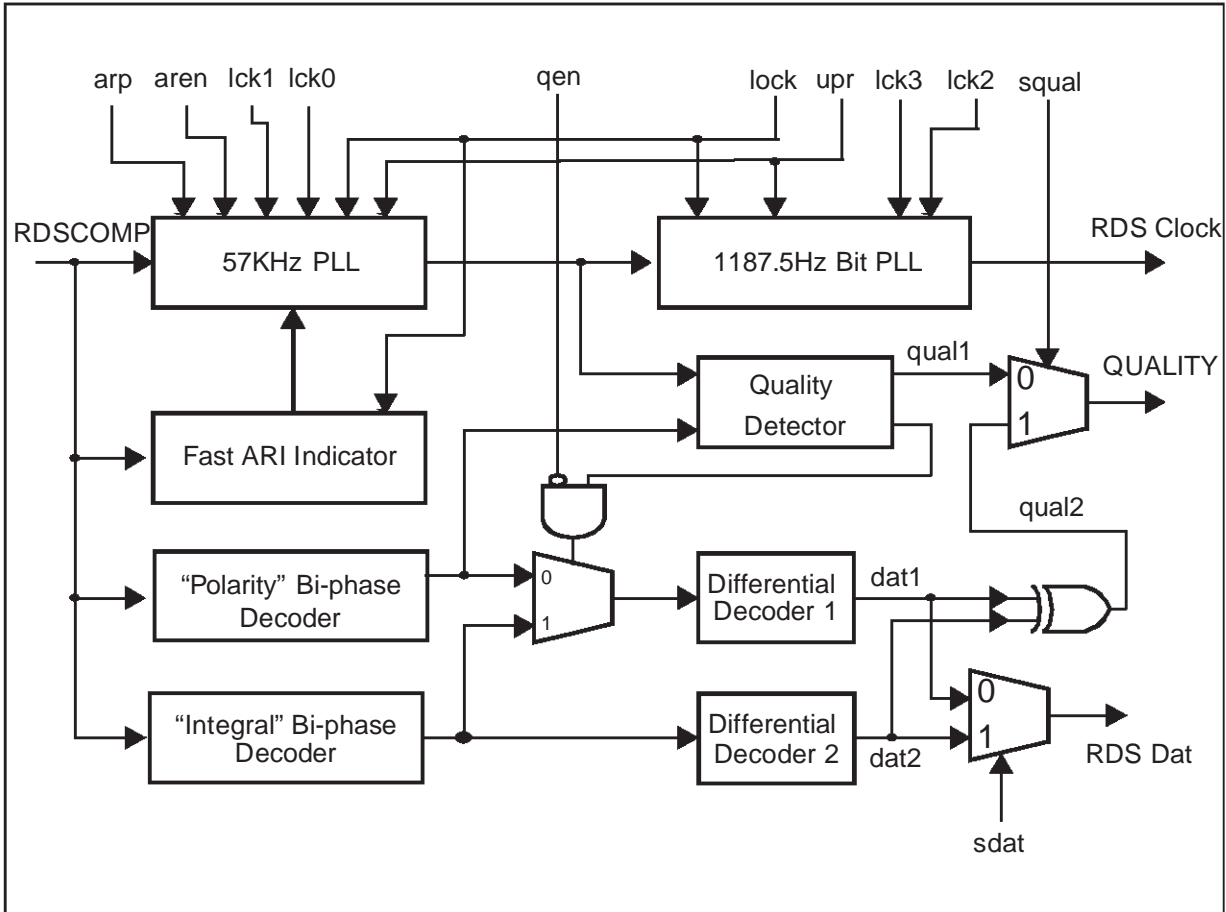
The RDS demodulator is a fully digital Radio Data System demodulator. The module includes 57KHz carrier recovery, RDS clock (1187.5Hz) recovery, bi-phase decoder, fast ARI indicator and signal quality indicator. the module is controlled through ST7 registers. The RDS signal is fed in through the pin RDSCOMP. The reference frequency is derived from the ST7 quartz oscillator. Therefore, the quartz frequency must be 8.664MHz.

4.8.1 Features

- Pure digital RDS demodulator without external components.
- Phase polarity data extractor.
- Phase integral data extractor.

- Data extractor selectable:
 - a) automatically via quality detector;
 - b) via software.
- Selectable quality indicator:
 - a) RDS signal quality;
 - b) polarity difference and integral data.
- Selectable time constant for 57KHz PLL.
- Selectable inhibit of PLL regulation to be used for AF tests and temporary field strength weakness (i.e. tunnels or other obstacles to radio reception).
- Fast ARI indicator, controlled by software.

Figure 33. RDS Demodulator Block Diagram



RDS DEMODULATOR (Cont'd)

4.8.2 Functional Description

The RDS Demodulator is fed with a 57KHz band-pass filtered and limited multiplex signal.

It contains the following functional blocks:

- **57kHz PLL.** This circuit is implemented as a variable counter controlled by a “COSTAS” phase comparator. To achieve fast lockup time, the low-pass filter features four software selectable time constants. Following a reset, the longest time constant is selected and used for the locked condition. The time constant relates to the time needed to compensate a 90 degree phase deviation. As the PLL locks to 0 and 180 degrees, whatever is closest, this is the maximum possible phase deviation. The selectable time constants are listed in the following register description.
- **1187.5Hz PLL** This circuit detects zero crossings of the phase of the input signal. After low pass filtering, this information is used to control a variable divider, which generates the RDS clock. The time constant of the low pass filter is also selectable in four steps.
The regulation of both PLLs may be inhibited by software. This may be used to “freeze” the actual phase relation in order to bridge a certain time of weak or non-existing input signal. (e.g. during AF tests, breakdown in field strength,...). Depending of the precision of the quartz oscillator some seconds of weak input signal may be spanned without losing the lock condition.
- **“Polarity” Phase Decoder.** With the help of the recovered 57kHz carrier, the sign of the input signal phase is integrated over one bit (48 samples).
- **“Integral” Phase Decoder.** The relative phase angle of the input signal to the recovered carrier

is measured. Again 48 samples are accumulated. Regarding of the “polarity phase decoder, this system is less sensitive to the precision of the recovered carrier, but is more sensitive with respect to ignition spikes.

- **Differential Decoder.** Every phase decoder output is fed into its own differential decoder. For error correction purposes, a quality bit can be generated in order to mark all differences between the two decoder outputs.
- **Quality Detector.** This unit measures the amount of opposite phase samples. With an error free signal; every bit consists of 24 positive and 24 negative phase samples related to the carrier. Due to noise, this balance may be disturbed. All bits with a relation greater than 40 to 8 are marked as bad. This quality information may be used by the software for an improved error correction. It also may be used internally (selection by software) to switch automatically between “polarity” and “integral” phase decoders.
The source of RDS data may be one or the other output of these two decoders.
The source of the quality output may be selected from the quality detector or from the exor which builds the difference between the two differential decoders.
- **ARI Indicator.** In order to receive a correct RDS signal, the 57KHz PLL regulation must be changed in accordance with the presence of ARI. Therefore a fast ARI indicator is implemented. This function may be optionally taken over by software.
- **Interface Registers.** These allow control of the Demodulator circuit by the MCU. Register descriptions are given below:

RDS DEMODULATOR (Cont'd)

RDS DE1

Address 005C h

Reset Value: 0000 0000b

7	6	5	4	3	2	1	0
lock	lck3	lck2	lck1	lck0	qen	sdat	squal

b7 = lock

Inhibits regulation of PLLs to keep the current phase value during weak signal conditions.

0: normal regulation (Reset Value)
1: inhibit regulation.

b6-5 = lck3 - lck2

Select time constant for 1187.5Hz PLL.

lck3	lck2	lock time needed for max (90°) deviation
0	0	160ms (Reset Value)
0	1	80ms
1	0	40ms
1	1	20ms

b4-3 = lck1 - lck0

Select time constant of 57KHz PLL.

lck1	lck0	lock time needed for max (90°) deviation
0	0	16ms(Reset Value)
0	1	8ms
1	0	4ms
1	1	2ms

b2 = QEN

Enables automatic selection of input to differential decoder 1.

0 = enable selection by quality (Reset Value)
1 = disable selection

b1 = SDAT

Selects differential decoder for the RDS data output.

0 = differential decoder 1 (Reset Value)
1 = differential decoder 2.

b0 = SQUAL

Selects quality for the quality output.

0 = from the quality detector (qal1) (Reset Value)
1 = exclusive OR of differential decoders (qal2).

RDS DE2 — Address 005D h

Reset Value: 0xxx xxxxb

7							0
UPR	QAL	QAL1	QAL2	DAT	DAT1	DAT2	CLK

b7 = UPR

Software reset to various demodulator parts.

0 = normal run mode (Reset Value)
1 = demodulator reset.

After writing this bit to one, a reset pulse will be generated. The bit will then be automatically reset to zero. This bit is always read as a zero.

b6 = QAL

Output of the quality detector which is actually detected. This bit is fed into the RDS-GBS module.

b5 = QAL1

Output of the quality detector.

b4 = QAL2

Resultant of XOR of dat1 and dat2.

b3 = DAT

RDS-dat output which is actually detected. This bit is fed into the RDS-GBS module.

b2 = DAT1

Output of the phase polarity data extractor.

b1 = DAT2

Output of the phase integral data extractor.

b0 = CLK

RDS clock output (1187.5Hz)

RDS DEMODULATOR (Cont'd)

RDS DE3 — Address 005E h

Reset Value: xxxx x000b

7								0
-	-	-	-	-	ARI	AREN	ARP	

b7-3 = reserved.

b2 = **ARI**

ARI indicator.

0 = pure RDS, no ARI (Reset Value)

1 = RDS plus ARI.

Note that this bit is simply an indicator.

b1 = **AREN**

Selects software or hardware ARI indication.

0 = internally by hardware (Reset Value)

1 = forced by software according to ARP bit.

b0 = **ARP**

Preset ARI indication.

0 = ARI (Reset Value)

1 = pure RDS without ARI.

RDS DE4 — Address 005F h

Reset Value: 0xx0 0000b

7								0
DETM	-	-	TE4	TE3	TE2	TE1	NDE- POR	

b7 = **DETM**

Selects test mode when set to “1”. This bit must be kept in the reset state (“0”) for normal operation.

b6-5 = reserved.

b4-1 = **TE4-TE1**

RESERVED. These bits are for internal test use only: they must be kept in the reset state (all “0”) for normal operation

b0 = **NDEPOR**

Enables the module

0 = module disabled (Reset Value)

1 = module enabled (normal operating mode).

4.9 RDS G.B.S

4.9.1 Introduction

The main task of the GBS module is to acquire Group and Block Synchronization of a received RDS data steam, which is provided in a modified shortened cyclic code.

In order to achieve synchronization, a syndrome is calculated on every data clock pulse. Detection of a valid syndrome is indicated by flag VSI with associated interrupt, while the corresponding block is kept in BL(0:2). Starting in BIT_SYNC mode the SW can use CNA zero count interrupt (CNA=1) and VSI check for synchronization phase. If the synchronization criteria is fulfilled, the SW can switch to BLK_SYNC mode, setting counter CNA to 26 and CNB to the current block code. The SW maintains block synchronization easily by checking VSI and ORD, which indicates a correct block order.

An optional GRP_SYNC mode can be entered for RDS standby operation using the appropriate counter interrupt selection.

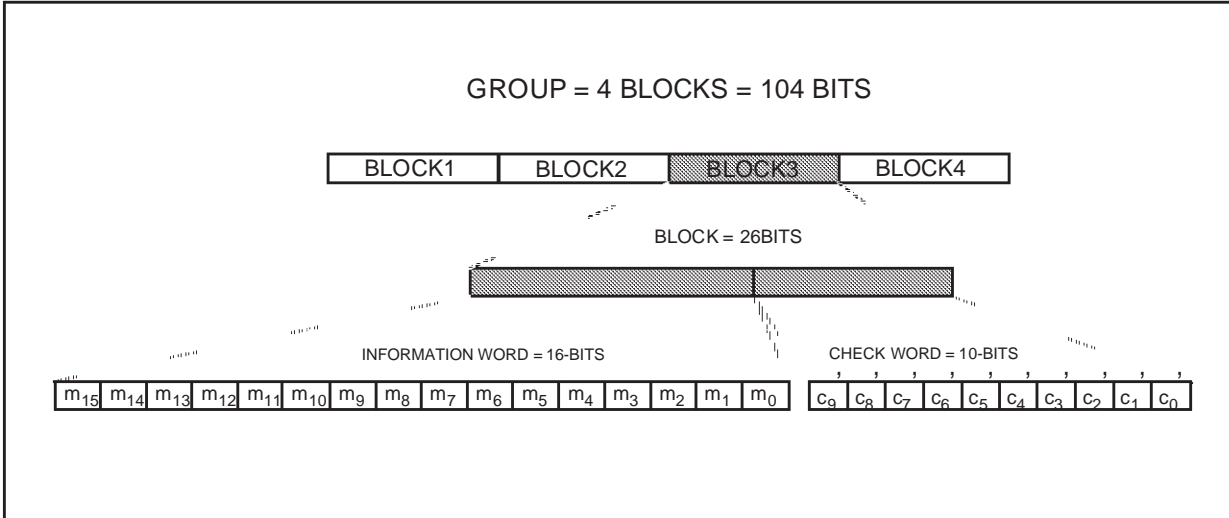
The combination of software triggered syndrome calculation, a second 26-bit shift register and a 26-bit quality register, allow highly flexible error correction by software.

Single quality errors, representing a 1 or 2 bit RDSDAT error, are indicated by the SQE flag. They can be corrected by SW with high security.

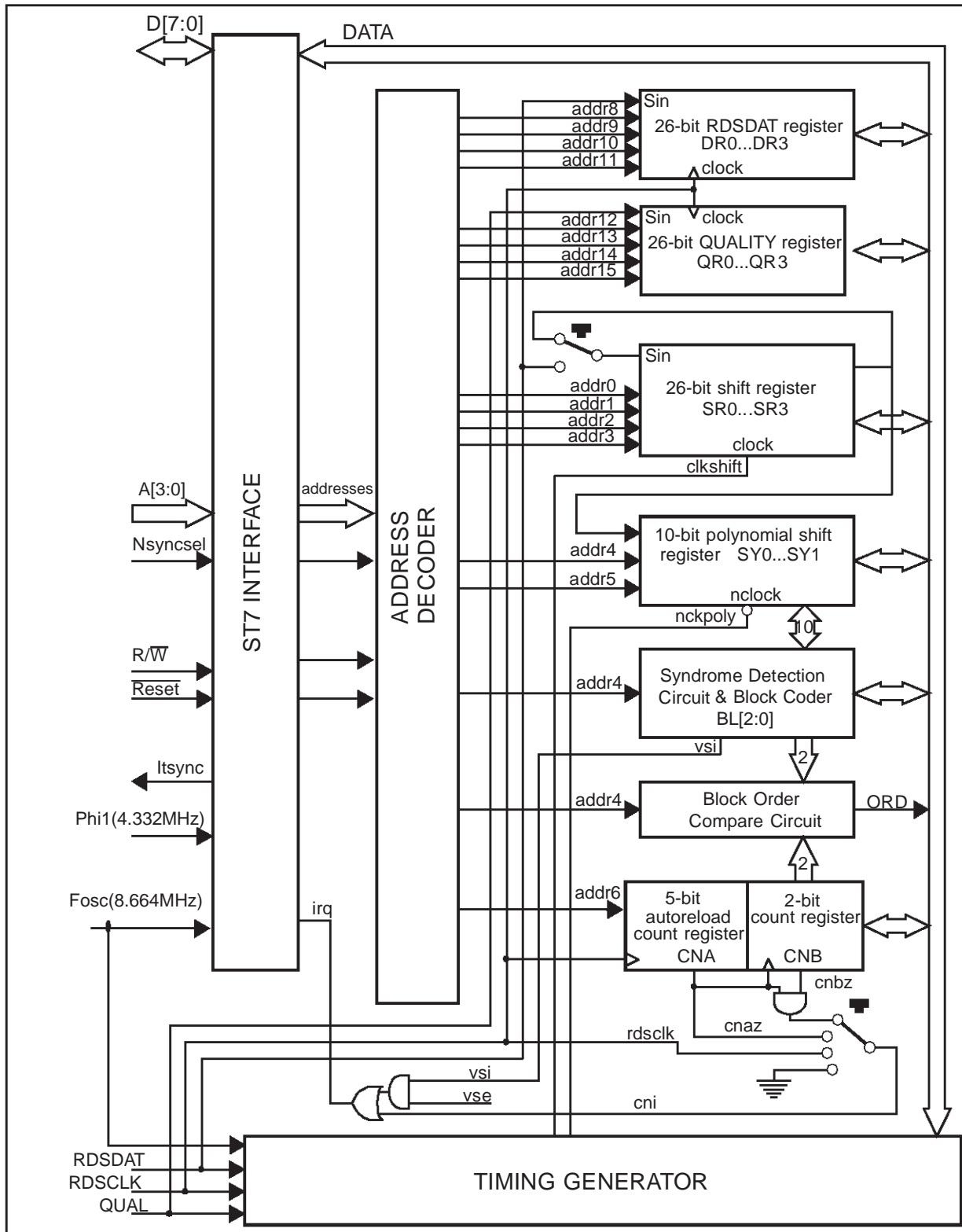
4.9.2 Features

- Hardware implemented decoding of RDS data stream.
- Hardware triggered syndrome calculation with every rising edge of RDSCCLK.
- Storage of 26 RDS bits (1 block).
- Fast syndrome calculation (within 2.4µs at $f_{bSC}=8.664\text{MHz}$).
- 5-bits RDS-counter CNA and 2-bit RDS-block counter CNB.
- Selectable counter interrupt for BIT/BLOCK/ GROUP-SYNC mode.
- "Valid Syndrome" detection unit with interrupt and block code output.
- Selectable MMBS Radio Paging option for block E syndrome detection.
- "Valid Block Order" flag.
- Extended "error correction by software" support.
- Software triggered syndrome calculation.
- Parallel storage of 26 RDSDAT bits and 26 QUALITY bits for high flexibility.
- Single/Multiple quality-error flags.

Figure 34. Principles of Baseband Coding



RDS G.B.S. (Cont'd)
 Figure 35. G.B.S. Block Diagram



RDS G.B.S. (Cont'd)

4.9.3 Functional Description

4.9.3.1 Principles of Baseband Coding

Figure 34 illustrates the principles of baseband coding. The largest element in the structure is called a "group". Each group contains 4 blocks of 26 bits each. Each block contains an information word (16 bits) and a check-word (10bits).

The basic baseband data rate e is 1187.5 bits/s. The baseband is a modified shortened cyclic code, that means the transmitted vector $c(x)$ is given by:

$$c(x) = d(x) + m(x)x^{10} + \{m(x) \cdot x^{10}\} / d(x) \mid_{\text{mod } g(x)}$$

where, $m(x)$ represents the 16-bit message vector:

$$m(x) = m_{15} \cdot x^{15} + m_{14} \cdot x^{14} + \dots + m_1 \cdot x^1 + m_0 \cdot x^0$$

$g(x)$ represents the polynomial generator:

$$g(x) = x^{10} + x^8 + x^7 + x^5 + x^4 + x^3 + 1$$

and $d(x)$ represents the offset word according to the values tabulated in Table 9 below.

For more information about the theory and implementation of the modified shortened cyclic code, please refer to the specification of the European Broadcasting Union.

4.9.3.2 Hardware Configuration

The GBS circuit comprises the following functional blocks; these are shown schematically in the Block Diagram, Figure 35.

- **26-bit Shift Register** (SR3- SR0), may act, either as a straight 26-bit delay or as a recirculating shift register. On each rising edge of RDSCLK a new RDS-bit is shifted into the register. Then, the contents of the shift register are rotated 26 times (one circuit) for syndrome calculation. In error correction mode (ECM=1), the shift register acts only as a circular register. New RDS-bits are not shifted in. They are stored in the parallel shift register DR0- DR3.
- **Polynomial Division** circuit, comprising a 10-bit shift register (SY0- SY1) with feedback taps for

syndrome calculation. During the rotation of the shift register the RDS-bits are passed serially into the polynomial division register where the syndrome is calculated and stored.

- **Syndrome Detection** circuit, compares the calculated syndrome with a 5(6)-word syndrome ROM. The output consists of the block code BL[2:0] and the VSI flag with its associated interrupt. VSI is high when a valid syndrome is detected. Detection of offset syndrome, E, is enabled by control bit US.
- **5-bit Counter** (CNA), counts down on every rising edge of RDSCLK. The counter reload register can be written by software. On zero count, it restarts immediately with the value of the reload register and can generate an interrupt on zero count. This counter is used as RDS-bit counter (26...1).
- **2-bit Counter** (CNB), counts down on every zero count of CNA. The counter can be written by software. CNB is running free and can generate an interrupt. This counter is used as RDS-block counter (3...1)
- **Timing Generator** block comprising a modulo-28 counter with end stops and some combinational logic. The modulo-28 counter is used to generate one shift clock, 26 rotate clocks and one end of calculation clock. In error correction mode (ECM=1) the shift clock is masked.
- **26-bit RDSDAT** register (DR3-DR0), in parallel to shift register SR3-SR1. It works in straight shift mode only. On each rising edge of the RDSCLK the RDSDAT-bit is shifted into the register. This register is used for temporary block storage during error correction.
- **26-bit QUALITY** register (QR3-QR0), works in straight shift mode only. On each rising edge of the RDSCLK the QUALITY bit coming from the demodulator is shifted into the register.

Table 9. Offset Words and their corresponding Syndromes

Offset (block)	Block code BL ₂ BL ₁ BL ₀	Offset word d ₉ ,d ₈ ,d ₇ ,...,d ₀	Syndrome d ₉ ,d ₈ ,d ₇ ,...,d ₀
A	0 1 0	0011111100	1111011000
B	0 0 1	0110011000	1111010100
C	1 0 0	0101101000	1001011100
C'	0 0 0	1101010000	1111001100
D	0 1 1	0110110100	1001011000
E	1 0 1	0000000000	0000000000
WRONG	1 1 1	all others	all others

RDS G.B.S. (Cont'd)

4.9.3.3 GBS Registers

Sixteen registers are dedicated to interfacing the Group and Block Synchronization module to the CPU.

These registers, together with their symbolic names, bit names and address are presented in tabular form in Table 10 below and are here described in greater detail.

Register Reset States: all registers bits are set to "0" during Reset, except for CNA4-CNA0, CNB1, CNB0 and ORD, which are set to "1".

SRx - Shift Registers

b7,6 = **SR0**: contain the 2 last transmitted bits c1',c0' of the checkword.

b5-0 are not used and are always read as "0".

b7-0 = **SR1**: contain the 8 first transmitted bits (c9'...c2') of the checkword.

b7-0 = **SR2**: contain the 8 last information bits (m7'...m0') of the message vector.

b7-0 = **SR3**: contain the 8 first information bits (m15'...m8') of the message vector.

SY0 - Polynomial Register 0

b7,6 = **SY0**: contain the 2 least significant bits of the calculated syndrome. For valid syndromes, these two bits are "0".

b5 is not used, and is always read as "0".

b4 = **US** (USA option). Setting US to "1" enables detection of block E.

b3 = **ORD** flag. Set to "1" when block counter CB[1:0] is equal to block code BL[1:0]: otherwise it is "0". Stable with VSI or CNI. Read only. Reset Value is one.

b2-0 = **BL[2:0]** block code, see Table 9. Stable with CNI or VSI. Read only.

SY1 - Polynomial Register 1

b7-0 = **SY1**: contain the 8 most significant bits (p9'...p2') of the calculated syndrome.

Table 10. GBS Register Map

Register	Address	bit7	bit6	bit5	bit4	bit3	bit2	bit1	bit0
SR0 - shift reg. 0	0060h	c ₁ '	c ₀ '	-	-	-	-	-	-
SR1 - shift reg. 1	0061h	c ₉ '	c ₈ '	c ₇ '	c ₆ '	c ₅ '	c ₄ '	c ₃ '	c ₂ '
SR2 - shift reg. 2	0062h	m ₇	m ₆	m ₅	m ₄	m ₃	m ₂	m ₁	m ₀
SR3 - shift reg. 3	0063h	m ₁₅	m ₁₄	m ₁₃	m ₁₂	m ₁₁	m ₁₀	m ₉	m ₈
SY0 - polynomial reg. 0	0064h	p ₁	p ₀	-	US	ORD	BL2	BL1	BL0
SY1 - polynomial reg. 1	0065h	p ₉	p ₈	p ₇	p ₆	p ₅	p ₄	p ₃	p ₂
GS_CNT - count reg.	0066h	CNB1	CNB0	SYNC	CNA4	CNA3	CNA2	CNA1	CNA0
GS_INT - interrupt reg.	0067h	CAL	CAR	ECM	VSI	VSE	CNI	CE1	CE0
DR0 - RDSDAT reg. 0	0068h	DR1	DR0	-	MQE	SQE	QAL	RCL	RDA
DR1 - RDSDAT reg. 1	0069h	DR9	DR8	DR7	DR6	DR5	DR4	DR3	DR2
DR2 - RDSDAT reg. 2	006Ah	DR17	DR16	DR15	DR14	DR13	DR12	DR11	DR10
DR3 - RDSDAT reg. 3	006Bh	DR25	DR24	DR23	DR22	DR21	DR20	DR19	DR18
QR0 - QUALITY reg. 0	006Ch	QR1	QR0	-	-	-	-	-	-
QR1 - QUALITY reg. 1	006Dh	QR9	QR8	QR7	QR6	QR5	QR4	QR3	QR2
QR2 - QUALITY reg. 2	006Eh	QR17	QR16	QR15	QR14	QR13	QR12	QR11	QR10
QR3 - QUALITY reg. 3	006Fh	QR25	QR24	QR23	QR22	QR21	QR20	QR19	QR18

RDS G.B.S. (Cont'd)**GS_CNT - Count Register**

b7-6 = **CNB[1;0]** *free-running 2-bit counter*, used as block/order counter. It is decremented on zero-count of CNA[4:0]. The zero-counts of CNA and CNB are used for counter interrupt generation. Reset Value equals one.

b5 = **SYNC**: Set to "1" whenever CNA[4:0] reaches a zero-count. It is valid for one period of RDSCLK. Read only. SYNC flag is used when a counter interrupt is desired on every RDSCLK (used for general timing or ARI filter service), while the BLK-SYNC interrupt service is performed every 26 bits (CNA=26).

b4-0 = **CNA[4:0]**: *5-bit r/w autoreload counter; used as RDS bit counter*. It is decremented on every rising edge of RDSCLK. When writing to CNA, both a latch and the counter itself are written. Immediately after reaching zero-count, the contents of the latch are loaded back into the counter (autoreload), so the zero-count state can never be read by software. The zero-count of CNA is used for counter interrupt generation. Reset Value equals one.

GS_INT - Interrupt Register

b7 = **CAL**: *Start Calculation*. Writing a "1" into CAL leads to a new syndrome calculation. CAL is always read as "0". Used in software error correction.

b6 = **CAR**: *Calculation Running*. Set to "1" by writing CAL=1. It returns to "0" when the syndrome calculation is complete (VSI valid). Read only. Used in software error correction.

b5 = **ECM**: *Error Correction Mode*. If error correction by software is to be performed, ECM must be set to "1". This suppresses both shift and rotate clocks for shift registers SR3-SR0, making them available for software-triggered syndrome calculations which may require more than one RDSCLK period. On completion of a correction, ECM must be reset to "0" and the current status of SR3-SR0 must be retrieved from the shadow registers DR3-DR0 by a copy routine.

b4 = **VSI**: *Valid Syndrome Interrupt*. This flag is set to "1" when the block code (BL[2:0]) is equal to one of the six valid syndromes. Otherwise, it is reset to "0". VSI is valid on completion of a syndrome calculation, for one period of RDSCLK. However, VSI must be reset by software at the end of the interrupt service routine. VSI and CNI interrupts are ORed to the active-high level interrupt, ITSYNCR.

b3 = **VSE**: *Valid Syndrome interrupt Enable*. Setting VSE to "1" enables the VSI interrupt.

b2 = **CNI**: *Counter Interrupt*. This flag is set to "1" on the zero-count of CNA/CNB or on the rising edge of RDSCLK, depending on the setting of CNE[1:0]. CNI is valid on completion of the syndrome calculation, for one period of RDSCLK. However, CNI must be reset by software at the end of the interrupt service routine. VSI and CNI interrupts are ORed to the active high level interrupt ITSYNCR.

b1,0 = **CNE[1:0]**. Enables and selects the counter interrupt, see Table 11 below:

Table 11. Counter Interrupt Source Selection

CNE1	CNE0	Counter Interrupt Source Selection
0	0	counter interrupt disabled
0	1	counter interrupt on every rising edge of RDSCLK
1	0	counter interrupt on CNA zero-count state
1	1	counter interrupt on CNA & CNB zero count states

DR0 - RDSDAT Register 0

b7,6 = **DR[1:0]**. Receives RDSDAT sequence.

b5 = reserved, always read as "0".

b4 = **MQE**: *Multiple Quality Error*. Set to "1" when 2 or more low quality bit are detected during the last block (26 bits). MQE is valid for one period of RDSCLK, starting with CNA zero-count and is reset by hardware at the end of this period.

b3 = **SQE**: *Single Quality Error*. Set to "1" when a low quality bit is detected during the last block (26 bits). SQE is valid for one period of RDSCLK, starting with CNA zero-count and is reset by hardware at the end of this period.

b2 = **QAL**. Transparent QUALITY input signal from RDS demodulator; read only.

b1 = **RCL**. Transparent RDSCLK input signal from RDS demodulator; read only.

b0 = **RDA**. Transparent RDSDAT input signal from RDS demodulator; read only.

DRx - RDS Data Registers

DR1. b7-0 contain bits 9-2 of a received RDSDAT sequence.

DR2. b7-0 contain bits 17-10 of a received RDSDAT sequence.

DR3. b7-0 contain bits 18-25 of a received RDSDAT sequence.

RDS G.B.S. (Cont'd)**QR0 - Quality Register**

b7-6 = **QR[1:0]** Receives QUALITY sequence.

b5-0 = reserved; always read as "0".

QRx - Quality Registers

QR1. b7-0 contain bits 9-2 of a received QUALITY sequence.

QR2. b7-0 contain bits 17-10 of a received QUALITY sequence.

QR3. b7-0 contain bits 25-18 of a received QUALITY sequence.

4.9.4 Acquisition of Group and Block Synchronization

New group and block synchronization is necessary after switching on the receiver, on tuning to a new station, or after a prolonged signal fade. The syndrome is calculated for every single received RDS-data bit. All valid syndromes corresponding to offset words A to E are shown in Table 9.

Blocks within each group are identified by offset words A, B, C or C', and D. This fact is used for block and group synchronization. Detection and coding of block E is enabled by control bit US in Polynomial Register 0. Block E is used for additional Radio Paging Information in North America. For detailed information, see United States RDBS Standard Specification, published by NRSC.

4.9.5 Application Tips

It is recommended not to load CNA with "0", because this would generate a CNA zero-count interrupt after every syndrome calculation, initiated either by positive edge of RDSCLK or by writing a "1" to CAL.

All data and flags are derived from the positive edge of RDSCLK and thus are only valid for one period of this clock.

All interrupt service routines (VSI or CNI interrupts) must be completed before the next positive edge of RDSCLK (i.e. within 842ms), except when Error Correction Mode is selected (ECM=1). In this case, the interrupt service may take up to 21.9ms in BLOCK_SYNC mode.

4.9.6 Block Synchronization Software

There are many strategies to achieve RDS Block Synchronization, A standard method with a simplified synchronization criteria is briefly described.

The software starts in BIT-SYNC mode. CNA is loaded with "1" and the counter interrupt is enabled on CNA zero-count. On each interrupt, the syndrome is checked via the VSI flag until VSI is

"1". Then the blockcode BL[2:0] and the CNA count are saved; the software continues until the next Valid Syndrome detection.

If bit distance (26) and block order are correct, the RDS Block Synchronization is achieved, and the software can switch to BLOCK_SYNC mode. The software can easily maintain Block Synchronization by checking the VSI and ORD flags, the latter indicates correct block order.

This method does not respect dummy syndromes (valid syndromes appearing between two valid blocks).

An optional GRP_SYNC mode may be entered for RDS standby operation, using the appropriate counter interrupt selection.

4.9.7 Error Correction software

Software triggered syndrome calculation, a second 26-bit shift register and a 26-bit quality register, allow highly flexible error correction by software, using the quality signal information from the RDS demodulator.

A quality "low" state indicates an uncertain corresponding RDSDAT bit. Because of the differential decoding of RDSDAT, not only the RDSDAT bit pointed to by Quality, but also the following RDSDAT bit may be wrong. Thus a single quality error can represent a single or a double data bit error. A single quality error within one block is indicated by the SQE flag, multiple quality errors within one block are indicated by the MQE flag.

The software starts error correction by setting ECM to "1", to make the main shift registers SR3-SR0 available for software triggered syndrome calculations, which may take longer than one period of RDSCLK (842ms).

New incoming RDSDAT-bits are stored in the parallel shift registers DR3-DR0. Moreover, the current contents of the quality registers QR3-QR0, must be saved in RAM, in order to be used for the following error correction.

Error correction may be performed by reversing the RDSDAT bits in shift registers SR3-SR0, which are indicated as bad in the quality register (with respect to RDSDAT differential decoding). After each reverse, a new syndrome calculation is started (CAL=1) and checked (VSI). Single quality errors, representing a 1 or 2 bit RDSDAT error may be corrected with high security.

On completion of the correction, the contents of DR3-DR0 must be copied back into shift registers SR3-SR0, and ECM must be set to "0".

5 SOFTWARE

5.1 ST7 ARCHITECTURE

The 8-bit ST7 Core is designed for high code efficiency. It contains 6 internal registers, 17 main addressing modes and 63 instructions. The 6 internal registers include 2 index registers, an accumulator, a 16-bit Program Counter, a stack pointer and a condition code register. The two Index registers X and Y enable Indexed Addressing modes with or without offset, along with read-modify-write type data manipulations. These registers simplify branching routines and data modifications.

The 16-bit Program Counter is able to address up to 64K of ROM/EPROM memory. The 6-bit Stack Pointer provides access to a 64-level Stack and an upgrade to an 8-bit Stack Pointer is foreseen in order to be able to manage a 256-level Stack. The Core also includes a Condition Code Register providing 5 Condition Flags that indicate the result of the last instruction executed.

The 17 main Addressing modes, including Indirect Relative and Indexed addressing, allow sophisticated branching routines or CASE-type functions. The Indexed Indirect Addressing mode, for instance, permits look-up tables to be located anywhere in the address space, thus enabling very flexible programming and compact C-based code.

The 63-instruction Instruction Set is 8-bit oriented with a 2-byte average instruction size. This Instruction Set offers, in addition to standard data movement and logic/arithmetic functions, byte multiplication, bit manipulation, data transfer between Stack and Accumulator (Push/Pop) with direct stack access, as well as data transfer using the X and Y registers.

5.2 ST7 ADDRESSING MODES

The ST7 Core features 17 different addressing modes which can be classified in 7 main groups:

Addressing Mode	Example
Inherent	nop
Immediate	ld A,#\$55
Direct	ld A,\$55
Indexed	ld A,(\$55,X)
Indirect	ld A,([\$55],X)
Relative	jrne loop
Bit operation	bset byte,#5

The ST7 Instruction set is designed to minimize the number of bytes required per instruction: To do so, most of the addressing modes may be subdivided in two sub-modes called long and short:

- The long addressing mode is the most powerful because it can reach any byte in the 64kb addressing space, but the instruction is bigger and slower than the short addressing mode.
- The short addressing mode is less powerful because it can generally only access page zero (0000 - 00FFh range), but the instruction size is more compact, and faster. All memory to memory instructions are only working with short addressing modes (CLR, CPL, NEG, BSET, BRES, BTJT, BTJF, INC, DEC, RLC, RRC, SLL, SRL, SRA, SWAP)

Both modes have pros and cons, but the programmer does not need to choose which one is the best: the ST7 Assembler will always choose the best one.

ST7 ADDRESSING MODES(Cont'd)

Table 12. ST7 Addressing Mode Overview:

Mode			Syntax	Destination	Ptr addr	Ptr size	Length
Inherent			nop				+ 0
Immediate			ld A,#\$55				+ 1
Short	Direct		ld A,\$10	00..FF			+ 1
Long	Direct		ld A,\$1000	0000..FFFF			+ 2
No Offset	Direct	Indexed	ld A,(X)	00..FF			+ 0
Short	Direct	Indexed	ld A,(\$10,X)	00..1FE			+ 1
Long	Direct	Indexed	ld A,(\$1000,X)	0000..FFFF			+ 2
Short	Indirect		ld A,[\$10]	00..FF	00..FF	byte	+ 2
Long	Indirect		ld A,[\$10.w]	0000..FFFF	00..FF	word	+ 2
Short	Indirect	Indexed	ld A,([\$10],X)	00..1FE	00..FF	byte	+ 2
Long	Indirect	Indexed	ld A,([\$10.w],X)	0000..FFFF	00..FF	word	+ 2
Relative	Direct		jrne loop	PC+/-127			+ 1
Relative	Indirect		jrne [\$10]	PC+/-127	00..FF	byte	+ 2
Bit	Direct		bset \$10,#7	00..FF			+ 1
Bit	Indirect		bset [\$10],#7	00..FF	00..FF	byte	+ 2
Bit	Direct	Relative	btjt \$10,#7,skip	00..FF			+ 2
Bit	Indirect	Relative	btjt [\$10],#7,skip	00..FF	00..FF	byte	+ 3

ST7 ADDRESSING MODES(Cont'd)**Inherent:**

All related instructions are single byte ones. The op-code fully specify all required information for the CPU to process the operation. These instructions are single byte ones.:

Inherent Instruction	Function
NOP	No operation
TRAP	S/W Interrupt
WFI	Wait For Interrupt (Low Power Mode)
HALT	Halt Oscillator (Lowest Power Mode)
RET	Sub-routine Return
IRET	Interrupt Sub-routine Return
SIM	Set Interrupt Mask
RIM	Reset Interrupt Mask
SCF	Set Carry Flag
RCF	Reset Carry Flag
RSP	Reset Stack Pointer
LD	Load
CLR	Clear
PUSH/POP	Push/Pop to/from the stack
INC/DEC	Increment/Decrement
TNZ	Test Negative or Zero
CPL, NEG	1 or 2 Complement
MUL	Byte Multiplication
SLL, SRL, SRA, RLC, RRC	Shift and Rotate Operations
SWAP	Swap Nibbles

Immediate:

The required data byte to do the operation is following the op-code. These are two byte instructions, one for the op-code and the other one for the immediate data byte.

Immediate Instruction	Function
LD	Load
CP	Compare
BCP	Bit Compare
AND, OR, XOR	Logical Operations
ADC, ADD, SUB, SBC	Arithmetic Operations

Direct (short, long):

The data byte required to carry out the operation is found by its memory address, which follows the op-code.

Available Long and Short Direct Instructions	Function
LD	Load
CP	Compare
AND, OR, XOR	Logical Operations
ADC, ADD, SUB, SBC	Arithmetic Additions/Subtractions operations
BCP	Bit Compare

Short Direct Instructions Only	Function
CLR	Clear
INC, DEC	Increment/Decrement
TNZ	Test Negative or Zero
CPL, NEG	1 or 2 Complement
BSET, BRES	Bit Operations
BTJT, BTJF	Bit Test and Jump Operations
SLL, SRL, SRA, RLC, RRC	Shift and Rotate Operations
SWAP	Swap Nibbles
CALL, JP	Call or Jump subroutine

The direct addressing mode consists of two sub-modes:

Direct (short):

The address is a byte, thus require only one byte after the op-code, but only allow 00 - FF addressing space.

Direct (long):

The address is a word, thus allowing 64Kb addressing space, but requires 2 bytes after the op-code.

ST7 ADDRESSING MODES(Cont'd)

Indexed (no offset, short, long)

The required data byte to do the operation is found by its memory address, which is defined by the unsigned addition of an index register (X or Y) with an offset which follows the op-code.

No Offset, Long and Short Indexed Instruc.	Function
LD	Load
CP	Compare
AND, OR, XOR	Logical Operations
ADC, ADD, SUB, SBC	Arithmetic Additions/Subtractions operations
BCP	Bit Compare

No Offset and Short Indexed Inst. Only	Function
CLR	Clear
INC, DEC	Increment/Decrement
TNZ	Test Negative or Zero
CPL, NEG	1 or 2 Complement
BSET, BRES	Bit Operations
BTJT, BTJF	Bit Test and Jump Operations
SLL, SRL, SRA, RLC, RRC	Shift and Rotate Operations
SWAP	Swap Nibbles
CALL, JP	Call or Jump subroutine

The indirect addressing mode consists of three sub-modes:

Indexed (no offset):

There is no offset, (no extra byte after the op-code), but only allows 00 - FF addressing space.

Indexed (short):

The offset is a byte, thus require only one byte after the op-code, but only allow 00 - 1FE addressing space.

Indexed (long):

The offset is a word, thus allowing 64Kb addressing space, but requires 2 bytes after the op-code.

Indirect (short, long):

The required data byte to do the operation is found by its memory address, located in memory (pointer).

Available Long and Short Indirect Instructions	Function
LD	Load
CP	Compare
AND, OR, XOR	Logical Operations
ADC, ADD, SUB, SBC	Arithmetic Additions/Subtractions operations
BCP	Bit Compare

Short Indirect Instructions Only	Function
CLR	Clear
INC, DEC	Increment/Decrement
TNZ	Test Negative or Zero
CPL, NEG	1 or 2 Complement
BSET, BRES	Bit Operations
BTJT, BTJF	Bit Test and Jump Operations
SLL, SRL, SRA, RLC, RRC	Shift and Rotate Operations
SWAP	Swap Nibbles
CALL, JP	Call or Jump subroutine

The pointer address follows the op-code. The indirect addressing mode consists of two sub-modes:

Indirect (short):

The pointer address is a byte, the pointer size is a byte, thus allowing 00 - FF addressing space, and requires 1 byte after the op-code.

Indirect (long):

The pointer address is a word, the pointer size is a word, thus allowing 64Kb addressing space, and requires 1 byte after the op-code.

ST7 ADDRESSING MODES(Cont'd)**Indirect Indexed (short, long):**

This is a combination of indirect and short indexed addressing mode. The required data byte to do the operation is found by its memory address, which is defined by the unsigned addition of an index register value (X or Y) with a pointer value located in memory. The pointer address follows the op-code.

Long and Short Indirect Indexed Instructions	Function
LD	Load
CP	Compare
AND, OR, XOR	Logical Operations
ADC, ADD, SUB, SBC	Arithmetic Additions/Subtractions operations
BCP	Bit Compare

Short Indirect Indexed Instructions Only	Function
CLR	Clear
INC, DEC	Increment/Decrement
TNZ	Test Negative or Zero
CPL, NEG	1 or 2 Complement
BSET, BRES	Bit Operations
BTJT, BTJF	Bit Test and Jump Operations
SLL, SRL, SRA, RLC, RRC	Shift and Rotate Operations
SWAP	Swap Nibbles
CALL, JP	Call or Jump subroutine

The indirect indexed addressing mode consists of two sub-modes:

Indirect Indexed (short):

The pointer address is a byte, the pointer size is a byte, thus allowing 00 - 1FE addressing space, and requires 1 byte after the op-code.

Indirect Indexed (long):

The pointer address is a byte, the pointer size is a word, thus allowing 64Kb addressing space, and requires 1 byte after the op-code.

Relative mode (direct, indirect):

This addressing mode is used to modify the PC register value, by adding an 8 bit signed offset to it.

Available Relative Direct/Indirect Instructions	Function
JRxx	Conditional Jump
CALLR	Call Relative

The relative addressing mode consists of two sub-modes:

Relative (direct):

The offset is following the op-code.

Relative (indirect):

The offset is defined in memory, which address follows the op-code.

5.3 ST7 INSTRUCTION SET

The ST7 family devices use an Instruction Set consisting of 63 instructions. The instructions may

be subdivided into 13 main groups as illustrated in the following table:

Load and Transfer	LD	CLR						
Stack operation	PUSH	POP	RSP					
Increment/Decrement	INC	DEC						
Compare and Tests	CP	TNZ	BCP					
Logical operations	AND	OR	XOR	CPL	NEG			
Bit Operation	BSET	BRES						
Conditional Bit Test and Branch	BTJT	BTJF						
Arithmetic operations	ADC	ADD	SUB	SBC	MUL			
Shift and Rotates	SLL	SRL	SRA	RLC	RRC	SWAP	SLA	
Unconditional Jump or Call	JRA	JRT	JRF	JP	CALL	CALLR	NOP	RET
Conditional Branch	JRxx							
Interruption management	TRAP	WFI	HALT	IRET				
Code Condition Flag modification	SIM	RIM	SCF	RCF				

Using a pre-byte

The instructions are described with one to four op-codes.

In order to extend the number of available op-codes for an 8-bit CPU (256 op-codes), three different prebyte opcodes are defined. These prebytes modify the meaning of the instruction they precede.

The whole instruction becomes:

PC-2 End of previous instruction

PC-1 Prebyte

PC Op-code

PC+1 Additional word (0 to 2) according to the number of bytes required to compute the effective address

These prebytes enable instruction in Y as well as indirect addressing modes to be implemented.

They precede the opcode of the instruction in X or the instruction using direct addressing mode. The prebytes are:

PDY 90 Replace an X based instruction using immediate, direct, indexed, or inherent addressing mode by a Y one.

PIX 92 Replace an instruction using direct, direct bit, or direct relative addressing mode to an instruction using the corresponding indirect addressing mode. It also changes an instruction using X indexed addressing mode to an instruction using indirect X indexed addressing mode.

PIY 91 Replace an instruction using X indirect indexed addressing mode by a Y one.

Mnemo	Description	Function/Example	Dst	Src	H	I	N	Z	C
ADC	Add with Carry	$A = A + M + C$	A	M	H		N	Z	C
ADD	Addition	$A = A + M$	A	M	H		N	Z	C
AND	Logical And	$A = A \cdot M$	A	M			N	Z	
BCC	Bit compare A, Memory	tst (A . M)	A	M			N	Z	
BRES	Bit Reset	bres Byte, #3	M						
BSET	Bit Set	bset Byte, #3	M						
BTJF	Jump if bit is false (0)	btjf Byte, #3, Jmp1	M						C
BTJT	Jump if bit is true (1)	btjt Byte, #3, Jmp1	M						C
CALL	Call subroutine								
CALLR	Call subroutine relative								
CLR	Clear		reg, M				0	1	
CP	Arithmetic Compare	tst(Reg - M)	reg	M			N	Z	C
CPL	One Complement	$A = FFH - A$	reg, M				N	Z	1
DEC	Decrement	dec Y	reg, M				N	Z	
HALT	Halt					0			
IRET	Interrupt routine return	Pop CC, A, X, PC			H	I	N	Z	C
INC	Increment	inc X	reg, M				N	Z	
JP	Absolute Jump	jp [TBL.w]							
JRA	Jump relative always								
JRT	Jump relative								
JRF	Never jump	jrf *							
JRIH	Jump if Port B INT pin = 1	(no Port B Interrupts)							
JRIL	Jump if Port B INT pin = 0	(Port B interrupt)							
JRH	Jump if H = 1	H = 1 ?							
JRNH	Jump if H = 0	H = 0 ?							
JRM	Jump if I = 1	I = 1 ?							
JRNM	Jump if I = 0	I = 0 ?							
JRMI	Jump if N = 1 (minus)	N = 1 ?							
JRPL	Jump if N = 0 (plus)	N = 0 ?							
JREQ	Jump if Z = 1 (equal)	Z = 1 ?							
JRNE	Jump if Z = 0 (not equal)	Z = 0 ?							
JRC	Jump if C = 1	C = 1 ?							
JRNC	Jump if C = 0	C = 0 ?							
JRULT	Jump if C = 1	Unsigned <							
JRUGE	Jump if C = 0	Jmp if unsigned >=							
JRUGT	Jump if (C + Z = 0)	Unsigned >							
JRULE	Jump if (C + Z = 1)	Unsigned <=							

Mnemo	Description	Function/Example	Dst	Src	H	I	N	Z	C
LD	Load	dst <= src	reg, M	M, reg			N	Z	
MUL	Multiply	X,A = X * A	A, X, Y	X, Y, A	0				0
NEG	Negate (2's compl)	neg \$10	reg, M				N	Z	C
NOP	No Operation								
OR	OR operation	A = A + M	A	M			N	Z	
POP	Pop from the Stack	pop reg pop CC	reg CC	M M	H	I	N	Z	C
PUSH	Push onto the Stack	push Y	M	reg, CC					
RCF	Reset carry flag	C = 0							0
RET	Subroutine Return								
RIM	Enable Interrupts	I = 0				0			
RLC	Rotate left true C	C <= A <= C	reg, M				N	Z	C
RRC	Rotate right true C	C => A => C	reg, M				N	Z	C
RSP	Reset Stack Pointer	S = Max allowed							
SBC	Substract with Carry	A = A - M - C	A	M			N	Z	C
SCF	Set carry flag	C = 1							1
SIM	Disable Interrupts	I = 1				1			
SLA	Shift left Arithmetic	C <= A <= 0	reg, M				N	Z	C
SLL	Shift left Logic	C <= A <= 0	reg, M				N	Z	C
SRL	Shift right Logic	0 => A => C	reg, M				0	Z	C
SRA	Shift right Arithmetic	A7 => A => C	reg, M				N	Z	C
SUB	Substraction	A = A - M	A	M			N	Z	C
SWAP	SWAP nibbles	A7-A4 <=> A3-A0	reg, M				N	Z	
TNZ	Test for Neg & Zero	tnz lbl1					N	Z	
TRAP	S/W trap	S/W interrupt				1			
WFI	Wait for Interrupt					0			
XOR	Exclusive OR	A = A XOR M	A	M			N	Z	

6 ELECTRICAL CHARACTERISTICS

6.1 ABSOLUTE MAXIMUM RATINGS

Devices of the ST72 family contain circuitry to protect the inputs against damage due to high static voltage or electric fields. Nevertheless, it is recommended that normal precautions be observed in order to avoid subjecting this high-impedance circuit to voltages above those quoted in the Absolute Maximum Ratings. For proper operation, it is recommended that V_{IN} and V_{OUT} be constrained within the range:

$$V_{SS} \leq V_{IN} \text{ and } V_{OUT} \leq V_{DD}$$

To enhance reliability of operation, it is recommended to configure unused I/Os as inputs and to

connect them to an appropriate logic voltage level such as V_{SS} or V_{DD} .

All the voltage in the following tables are referenced to V_{SS} .

Stresses above those listed as "Absolute Maximum Ratings" may cause permanent damage to the device. Functional operation of the device at these conditions is not implied. Exposure to maximum rating conditions for extended periods may affect device reliability.

Absolute Maximum Ratings (Voltage Referenced to V_{SS})

Symbol	Ratings	Value	Unit
$V_{DD}/V_{DDA}/V_{DDP}$	Supply Voltage	0.3 to +6	V
$ V_{DDA} - V_{DD} $	Supply Voltage	< 50	mV
V_{IN}	Input Voltage	$V_{SS} - 0.3$ to $V_{DD} + 0.3$	V
$I_{VDD} - I_{VSS}$	Total current into V_{DD}/V_{SS} pins	50/20	mA
I	Current Drain per Pin Excluding V_{DD} and V_{SS}	20	mA
T_A	Maximum Operating Temperature Range	T_L to T_H -40to +85	°C
T_{STG}	Storage Temperature Range	-65 to +150	°C
V_{HV}	High voltage on pins PH3, PH4, PH5	10	V

6.2 POWER CONSIDERATIONS

The average chip-junction temperature, T_J , in degrees Celsius, may be calculated using the following equation:

$$T_J = T_A + (P_D \times \theta_{JA}) \quad (1)$$

Where:

- T_A is the Ambient Temperature in °C,
- θ_{JA} is the Package Junction-to-Ambient Thermal Resistance, in °C/W,
- P_D is the sum of P_{INT} and $P_{I/O}$,
- P_{INT} is the product of I_{DD} and V_{DD} , expressed in Watts. This is the Chip Internal Power
- $P_{I/O}$ represents the Power Dissipation on Input and Output Pins; User Determined.

For most applications $P_{I/O} < P_{INT}$ and may be neglected. $P_{I/O}$ may be significant if the device is configured to drive Darlington bases or sink LED Loads.

An approximate relationship between P_D and T_J (if $P_{I/O}$ is neglected) is given by:

$$P_D = K \div (T_J + 273^\circ\text{C}) \quad (2)$$

Therefore:

$$K = P_D \times (T_A + 273^\circ\text{C}) + \theta_{JA} \times P_D^2 \quad (3)$$

Where:

- K is a constant for the particular part, which may be determined from equation (3) by measuring P_D (at equilibrium) for a known T_A . Using this value of K , the values of P_D and T_J may be obtained by solving equations (1) and (2) iteratively for any value of T_A .

Table 13. Thermal Characteristics

Symbol	Package	Value	Unit
θ_{JA}	PQFP80	60	°C/W

6.3 DC ELECTRICAL CHARACTERISTICS

($T_A = -40$ to $+85^\circ\text{C}$ unless otherwise specified)

STANDARD I/O PORT PINS						
Symbol	Parameter	Conditions	Min	Typ	Max	Unit
V_{IL}	Input Low Level Voltage		-	-	$0.3 \times V_{DD}$	V
V_{IH}	Input High Level Voltage		$0.7 \times V_{DD}$	-	-	V
V_{OL}	Output Low Level Voltage	$I = -5\text{mA}$	-	-	0.5	V
		$I = -1.6\text{mA}$	-	-	0.3	V
V_{OL}	Output Low Level Voltage on pins PH3, PH4, PH5	$I = -5\text{mA}$	-	-	1.0	V
		$I = -1.6\text{mA}$	-	-	0.4	V
V_{OH}	Output High Level Voltage	$I = 5\text{mA}$	3.1	-	-	V
		$I = 1.6\text{mA}$	3.4	-	-	V
I_L	Input Leakage Current	$V_{SS} < V_{PIN} < V_{DD}$	-10	-	10	μA
I_{RPU}	Pull-up Equivalent Resistance	$V_{IN} = V_{SS}$	40	-	250	K Ω
T_{ohl}	Output H-L Fall Time	$C_L = 50\text{pF}$	-	30	-	ns
T_{olh}	Output L-H Rise Time	$C_L = 50\text{pF}$	-	30	-	ns

GENERAL						
Symbol	Parameter	Conditions	Min	Typ.	Max	Unit
V_{DD}	Supply Voltage	RDS Filter operational	4.5		5.5	V
		Without RDS filter capability	3.0		6.0	

Note: All voltages are referred to V_{SS} unless otherwise specified.

A/D CONVERTER						
Symbol	Parameter	Conditions	Min	Typ	Max	Unit
V_{al}	Resolution	$f_{OSC} = 8\text{ MHz}$		8		bit
T_{err}	Total Error	$f_{OSC} = 8\text{ MHz}$			± 2	LSB
T_{con}	Conversion Time	$f_{OSC} = 8\text{ MHz}$	16			μs
R_{va}	Analog Source Impedance			-	10	K Ω

Note: At 85°C and $V_{DD} = 5.5\text{V}$, code 255 is missing.

RDS FILTER						
Symbol	Parameter	Conditions	Min	Typ	Max	Unit
f_C	Center Frequency		56.5	57	57.5	KHz
BW	3dB Bandwidth	$V_{IN}: 3\text{mV rms}$	2.5	3	3.5	KHz
G	Gain	@ 57 KHz	18	20	22	dB
A	Attenuation	$\Delta f = \pm 4\text{KHz}$		22		dB
		$f = 38\text{KHz}$	50	80		
		$f = 67\text{KHz}$	35	50		
R_I	Input Impedance of MPX		100	160	200	K Ω
R_L	Load Impedance of FILOUT		1			M Ω
S/N	Signal to Noise Ratio	$V_{IN} = 3\text{mV}_{RMS}$		40		dB
V_{IN}	MPX input signal	$f = 19\text{KHz}, T_3 \leq 40\text{ dB}^*)$	170	250	600	mV_{RMS}
V_{REF}	Reference			$V_{DD}/2$		V

Note *): The 3rd harmonic (57KHz) must be less than -40dB with respect to the input signal plus gain

6.4 AC ELECTRICAL CHARACTERISTICS

(T_A = -40 to +85°C unless otherwise specified)

Symbol	Parameter	Condition s	Value			Unit
			Min	Typ.	Max	
V _{DD}	Operating Supply Voltage	4.332 MHz Internal	4.5		5.5	V
I _{DD}	Supply Current	RUN Mode f _{EXT} = 8.664MHz V _{DD} = 5.0V, f _{INT} = 4.332MHz			20	mA
		WAIT Mode f _{EXT} = 8.664MHz V _{DD} = 5.5V, f _{INT} = 4.332MHz		3	5	mA
		HALT Mode, V _{DD} = 5.0V		200	320	μA
V _{RM}	Data Retention Mode	HALT Mode	2			V

6.5 CONTROL TIMING

(Operating conditions T_A = -40 to +85°C unless otherwise specified)

Symbol	Parameter	Conditions	Value			Unit
			Min	Typ.	Max	
f _{OSC}	Frequency of Operation	V _{DD} = 4.5V f external f internal			8.664 4.332	MHz
t _{ILCH}	Halt Mode Recovery Startup Time	Crystal Resonator			20	ms
t _{RL}	External RESET Input pulse Width		1.5			t _{CYC}
t _{PORL}	Power Reset Duration		4096			t _{CYC}
T _{DOGL}	Watchdog RESET Output Pulse Width			200		ns
t _{DOG}	Watchdog Time-out		12,288		786,432	t _{CYC}
t _{ILIL}	Interrupt Pulse Period		(1)			t _{CYC}
t _{OXOV}	Crystal Oscillator Start-up Time				50	ms
t _{DDR}	Power up rise time	V _{DD} min			100	ms

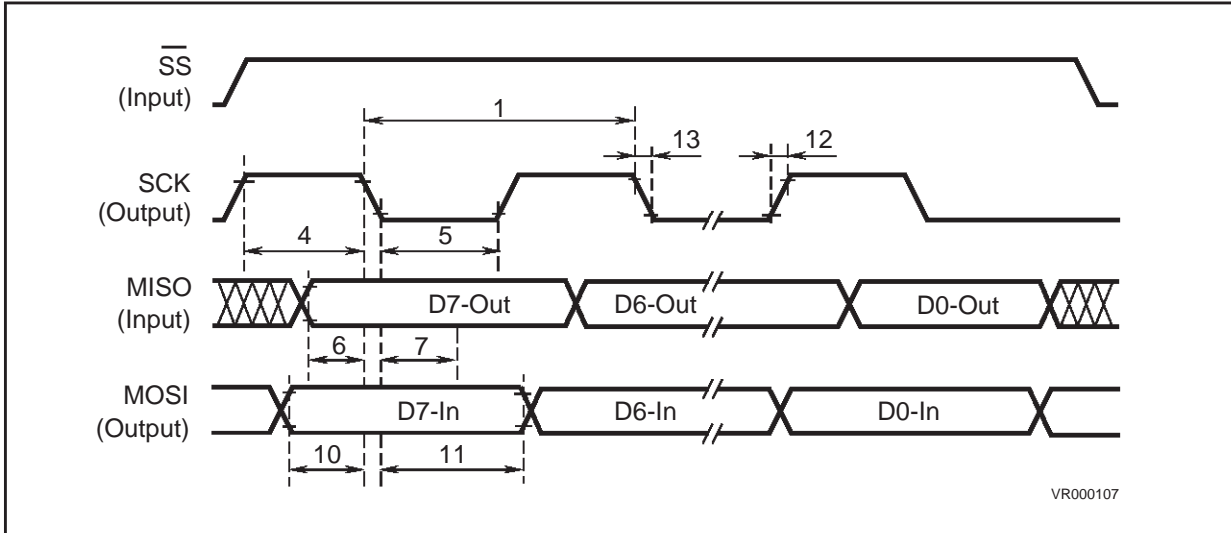
Note: 1. The minimum period t_{ILIL} should not be less than the number of cycle times it takes to execute the interrupt service routine plus 21 cycles.

CONTROL TIMING (Cont'd)

SERIAL PERIPHERAL INTERFACE					
Symbol	Ref.	Characteristics	f _{osc} = 8.0MHz		Unit
			Min.	Max.	
f _{OP(m)} f _{OP(s)}		Operating Frequency = f _{OSC/2} = f _{OP} Master Slave	dc dc	0.5 4.0	f _{OP} MHz
t _{CYC(m)} t _{CYC(s)}	1	Cycle Time Master Slave	2.0 240		t _{CYC} ns
t _{lead(m)} t _{lead(s)}	2	Enable Lead Time Master Slave	(1) 120		ns
	3	Enable Lag time Master Slave	(1) 120		ns
t _{W(SCKH)} t _{W(SCKH)}	4	Clock (SCK) High Time Master Slave	100 90		ns ns
t _{W(SCKL)} t _{W(SCKL)}	5	Clock (SCK) Low Time Master Slave	100 90		ns ns
t _{SU(m)} t _{SU(s)}	6	Data Set-up Time Master Slave	100 100		ns ns
t _{H(m)} t _{H(s)}	7	Data Hold Time (Inputs) Master Slave	100 100		ns ns
t _A	8	Access Time (Time to Data Active from High Impedance State) Slave	0	120	ns
t _{DIS}	9	Disable Time (Hold Time to High Impedance State) Slave		240	ns
t _{V(m)} t _{V(s)}	10	Data Valid Master (Before Capture Edge) Slave (After Enable Edge) ⁽²⁾	0.25	120	t _{CYC(m)} ns
t _{HO(m)} t _{HO(s)}	11	Data Hold Time (Outputs) Master (Before Capture Edge) Slave (After Enable Edge)	0.25 0		t _{CYC(m)} ns
t _{RM} t _{RS}	12	Rise Time (20% V _{DD} to 70% V _{DD} , C _L = 200pF) SPI Outputs (SCK, MOSI, MISO) SPI Inputs (SCK, MOSI, MISO, SS)		100 2.0	ns μs
t _{FM} t _{FS}	13	Fall Time (70% V _{DD} to 20% V _{DD} , C _L) SPI Outputs (SCK, MOSI, MISO) SPI Inputs (SCK, MOSI, MISO, SS)		100 2.0	ns μs

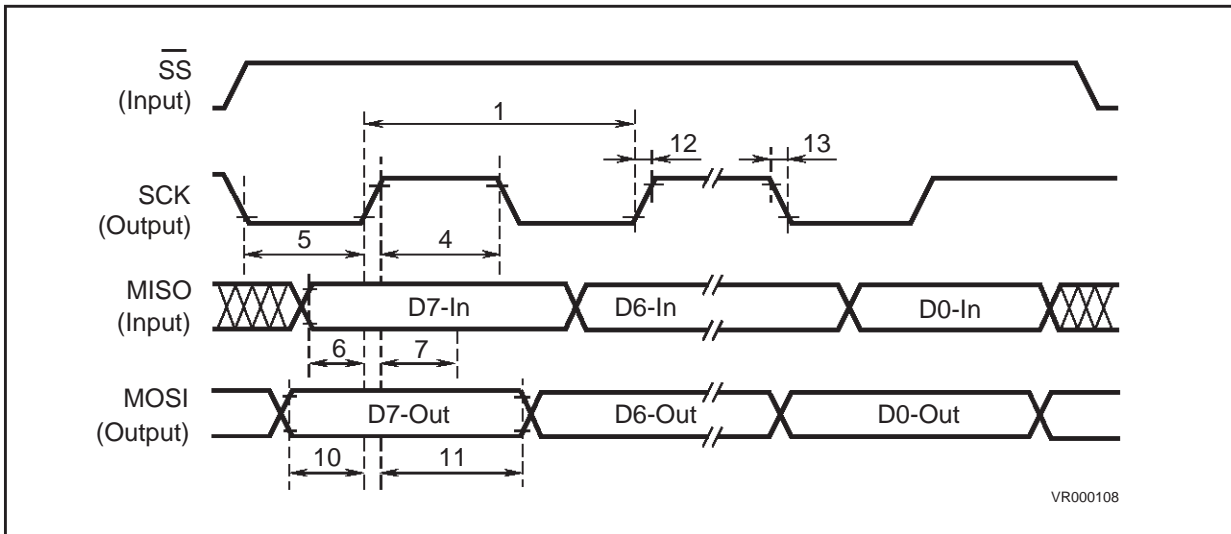
CONTROL TIMING (Cont'd)

Figure 36. SPI Master Timing Diagram CPOL=0, CPHA=1



Note: Measurement points are V_{OL} , V_{OH} , V_{IL} and V_{IH}

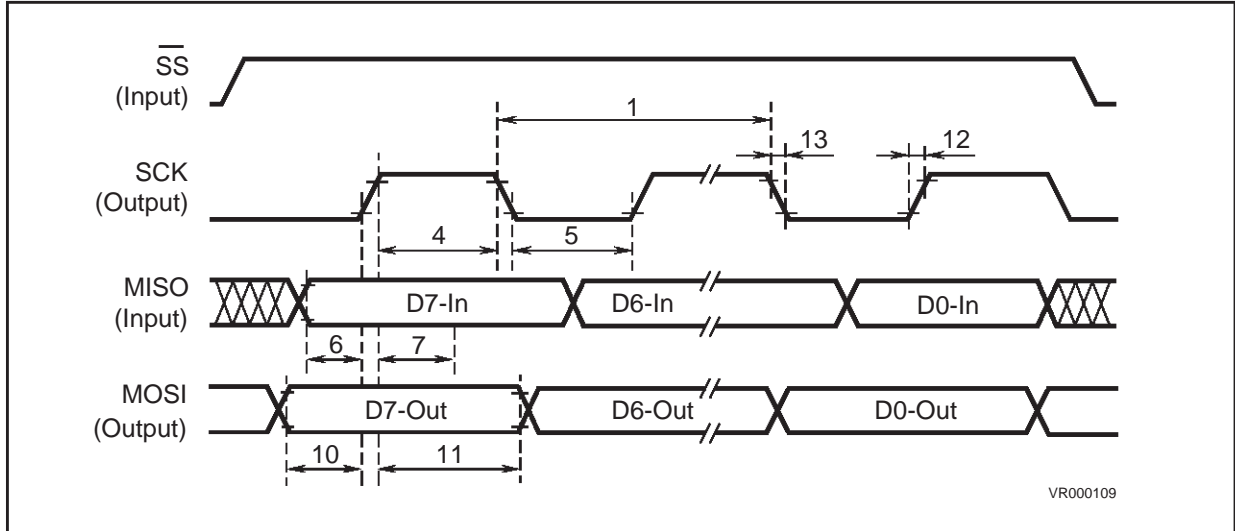
Figure 37. SPI Master Timing Diagram CPOL=1, CPHA+1



Note: Measurement points are V_{OL} , V_{OH} , V_{IL} and V_{IH}

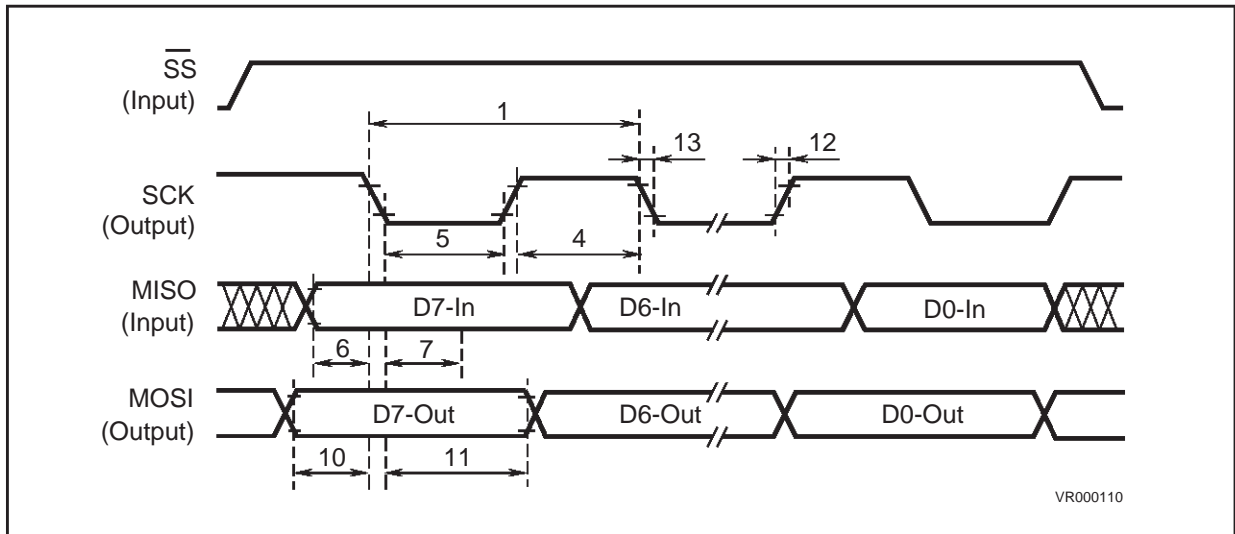
CONTROL TIMING (Cont'd)

Figure 38. SPI Master Timing Diagram CPOL=0, CPHA=0



Note: Measurement points are V_{OL} , V_{OH} , V_{IL} and V_{IH}

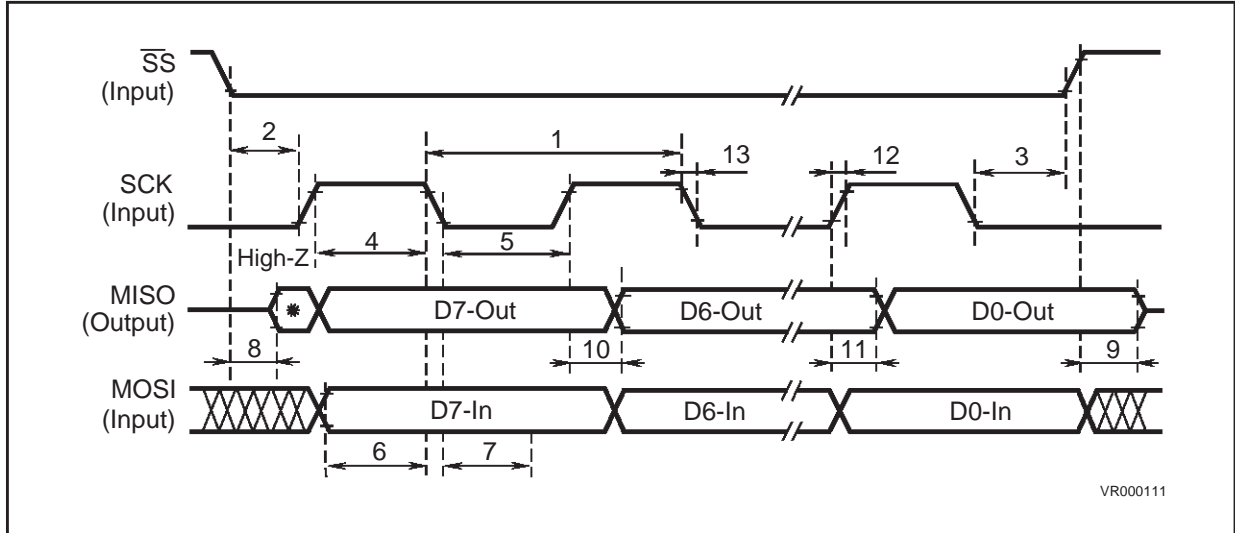
Figure 39. SPI Master Timing Diagram CPOL=1, CPHA=1



Note: Measurement points are V_{OL} , V_{OH} , V_{IL} and V_{IH}

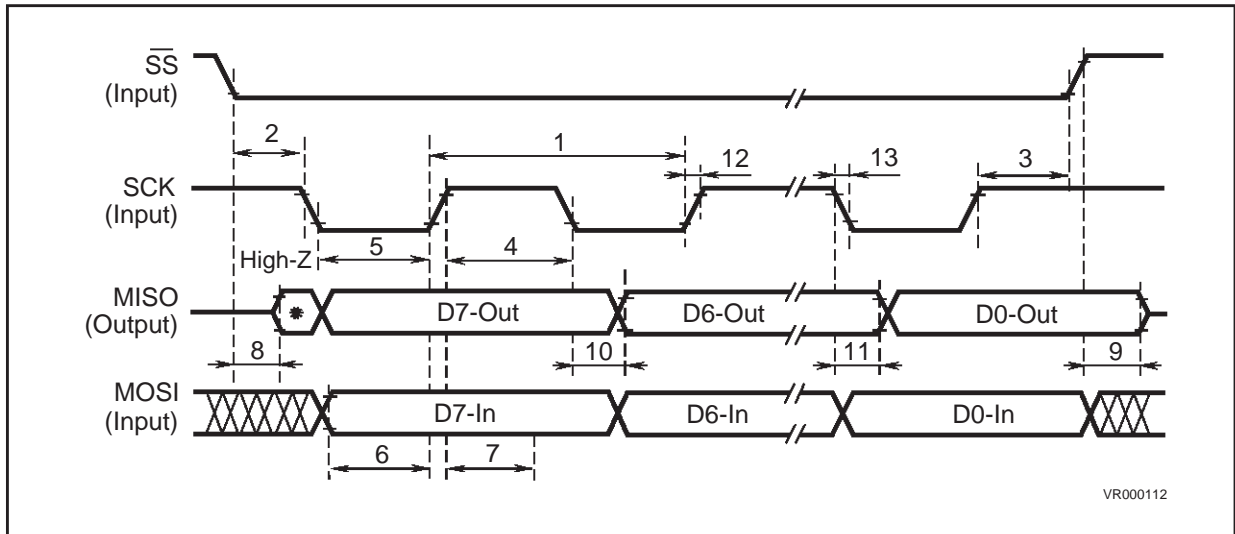
CONTROL TIMING (Cont'd)

Figure 40. SPI Slave Timing Diagram CPOL=0, CPHA=1



Note: Measurement points are V_{OL} , V_{OH} , V_{IL} and V_{IH}

Figure 41. SPI Slave Timing Diagram CPOL=1, CPHA=1



Note: Measurement points are V_{OL} , V_{OH} , V_{IL} and V_{IH}

CONTROL TIMING (Cont'd)

Figure 42. SPI Slave Timing Diagram CPOL=0, CPHA=0

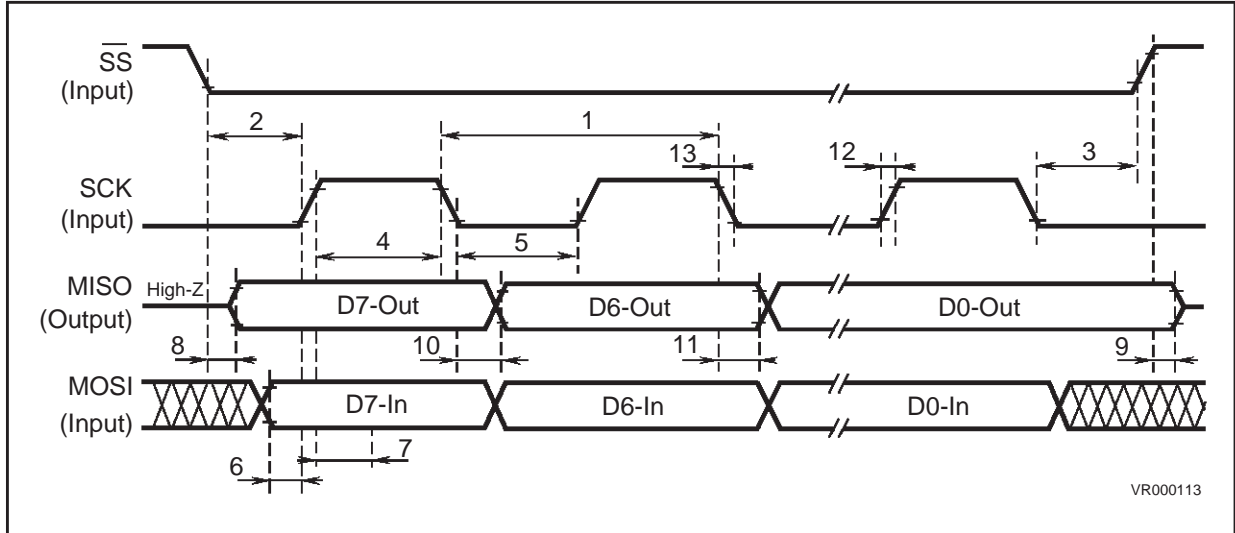
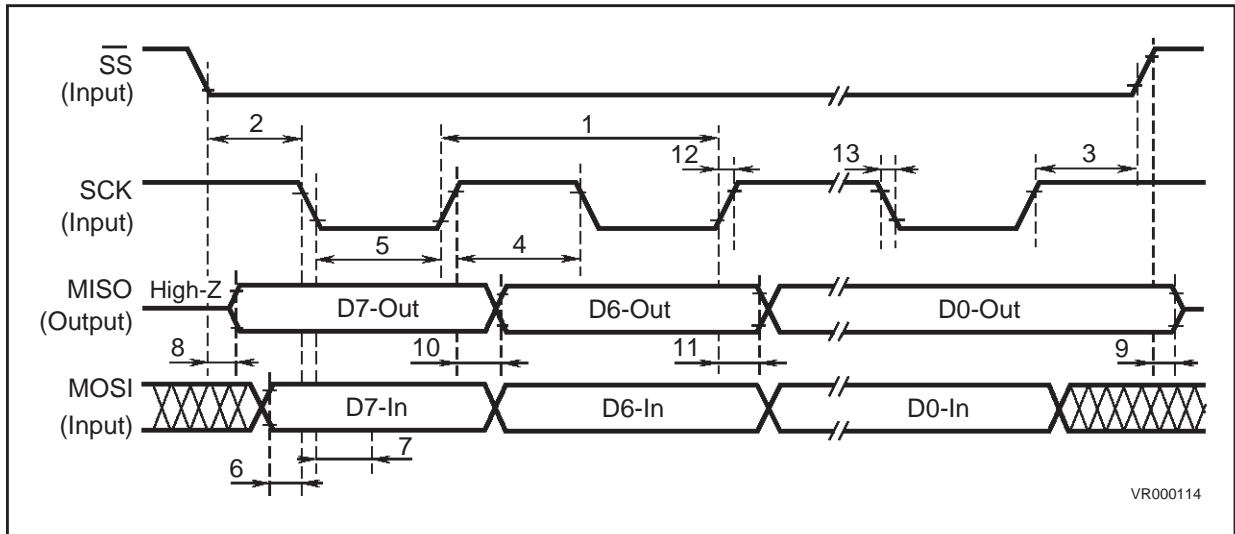


Figure 43. SPI Slave Timing Diagram CPOL=1, CPHA=0



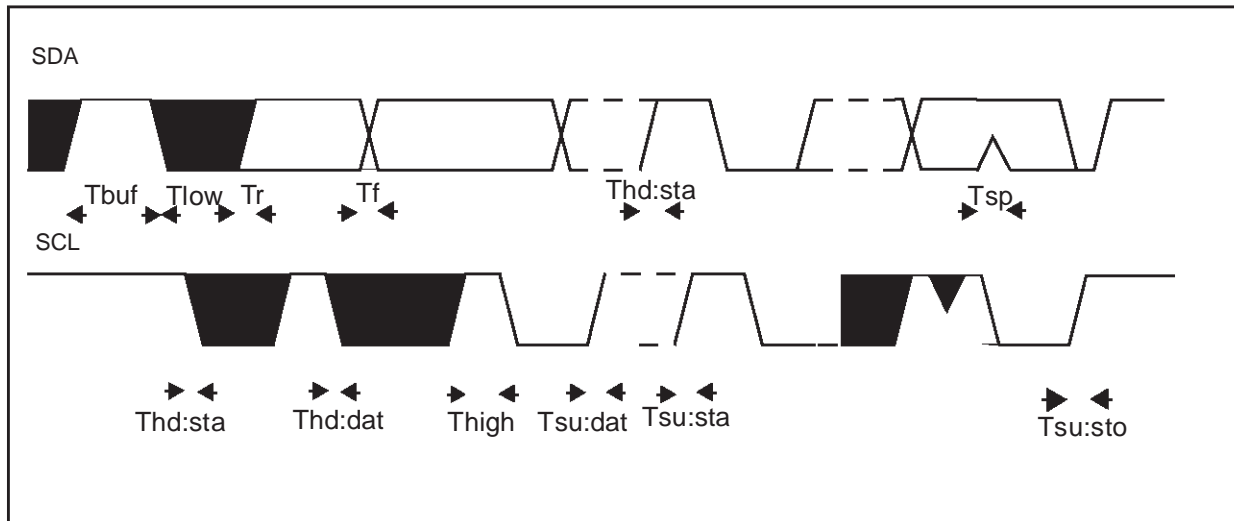
CONTROL TIMING (Cont'd)

I ² C BUS INTERFACE						
Parameter	Standard I ² C		Fast I ² C		Symbol	Unit
	Min	Max	Min	Max		
Bus free time between a STOP and START condition	4.7		1.3		T _{ubs}	ms
Hold time START condition. After this period, the first clock pulse is generated	4.0		0.6		T _{hd:sta}	μs
LOW period of the SCL clock	4.7		1.3		T _{low}	μs
HIGH period of the SCL clock	4.0		0.6		T _{high}	μs
Set-up time for a repeated START condition	4.7		0.6		T _{su:sta}	μs
Data hold time	0 (1)		0 (1)	0.9(2)	T _{hd:dat}	μs
Data set-up time	250		100		T _{su:dat}	ns
Rise time of both SDA and SCL signals		1000	20+0.1C _b	300	T _r	ns
Fall time of both SDA and SCL signals		300	20+0.1C _b	300	T _f	ns
Set-up time for STOP condition	4.0		0.6		T _{su:sto}	ns
Capacitive load for each bus line		400		400	C _b	pF

1. The device must internally provide a hold time of at least 300 ns for the SDA signal in order to bridge the undefined region of the falling edge of SCL
2. The maximum hold time of the START condition only has to be met if the interface does not stretch the low period of SCL signal

C_b = total capacitance of one bus line in pF

Figure 44. Definition of Timing Terminology



7 GENERAL INFORMATION

7.1 PACKAGE MECHANICAL DATA

Figure 45. 80-Pin Plastic Quad Flat Package

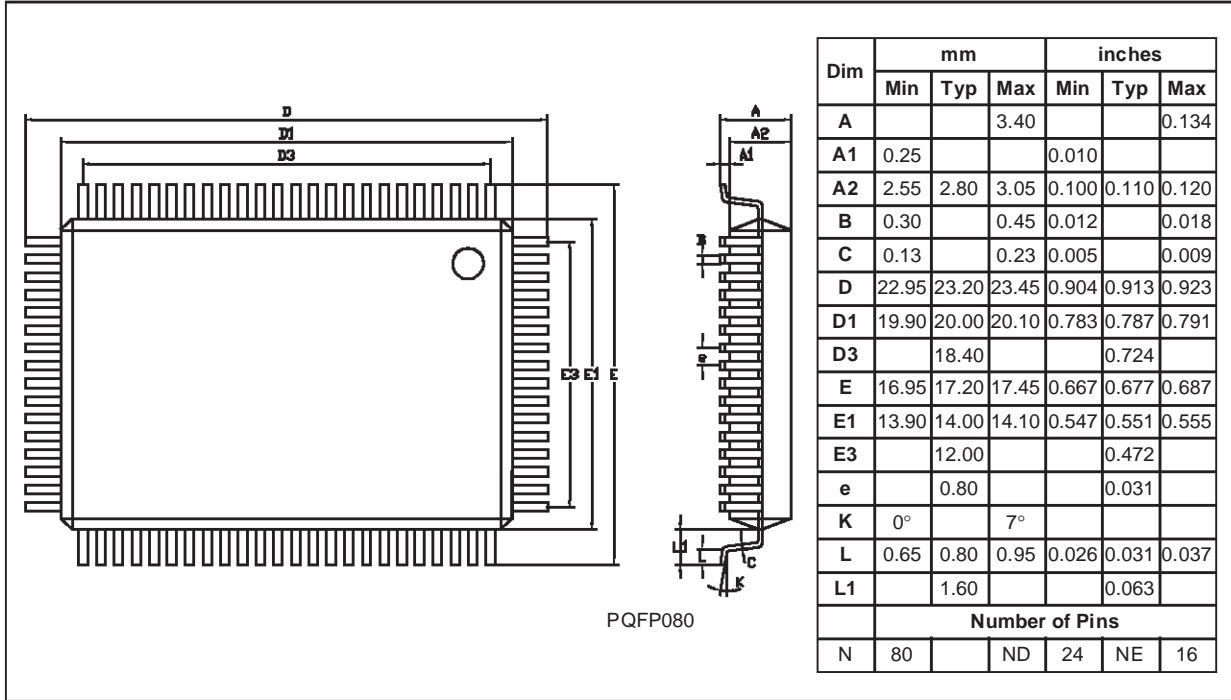


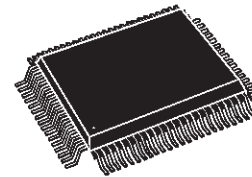
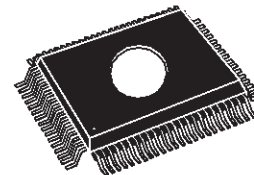
Table 14. Ordering Information Table

Sales Types	ROM Size	RAM Size	Temperature Range	Package
ST7285A5CQ5	48K	3K	-20 to +70°C	QFP80
ST7285A5CQ6	48K	3K	-40 to +85°C	QFP80
ST7285A5CQ8	48K	3K	-25 to +85°C	QFP80

NOTE: FOR THIS DEVICE, SGS-THOMSON CAN ONLY RECEIVE MOTOROLA S19 FORMAT FOR ROM CODES.

**8-BIT MCU FOR RDS WITH 48K EPROM/OTP, 3K RAM,
ADC, TWO TIMERS, SPI, I²C AND SCI INTERFACES**

- 4.5V to 5.5V Supply Operating Range
- Operation at 8.664MHz Oscillator Frequency for RDS compatibility
- Fully Static operation
- -40°C to + 85°C Maximum Operating Temperature Range
- Run, Wait, Slow, Halt, and RAM Retention modes
- User EPROM/OTP: 48 Kbytes
- Data RAM: 3 Kbytes, including 128 byte stack
- 80 pin plastic package
- 62 multifunctional bidirectional I/O lines:
 - Programmable Interrupt inputs on some I/Os
 - 8 Analog inputs
 - EMI Filtering
- Two 16-bit Timers, each featuring:
 - 2 Input Captures
 - 2 Output Compares
 - External Clock input (on Timer A)
 - PWM and Pulse Generator modes
- RDS Radio Data System Filter, Demodulator and GBS circuits
- 8-bit Analog-to-Digital converter with 8 channel analog multiplexer
- Digital Watchdog
- Dual SPI Serial Peripheral Interface
- SCI Serial Communications Interface
- Full I²C multiple Master/Slave interface
- 2KHz Beep signal generator
- Master Reset and Power-On Reset
- 8-bit Data Manipulation
- 63 Basic Instructions
- 17 main Addressing Modes
- 8 x 8 Unsigned Multiply Instruction
- True Bit Manipulation
- Complete Development Support on PC/DOS/Windows™ Real-Time Emulator
- Full Software Package (C-Compiler, Cross-Assembler, Debugger)

**PQFP80****CQFP80-W**

1 GENERAL DESCRIPTION

1.1 INTRODUCTION

The ST72E85 is the EPROM version of the ST7285C. Please refer to the ST7285C ROM device Datasheet for further details.

From the User's point of view, both the ST72E85 and the ST7285C possess the same software and hardware features.

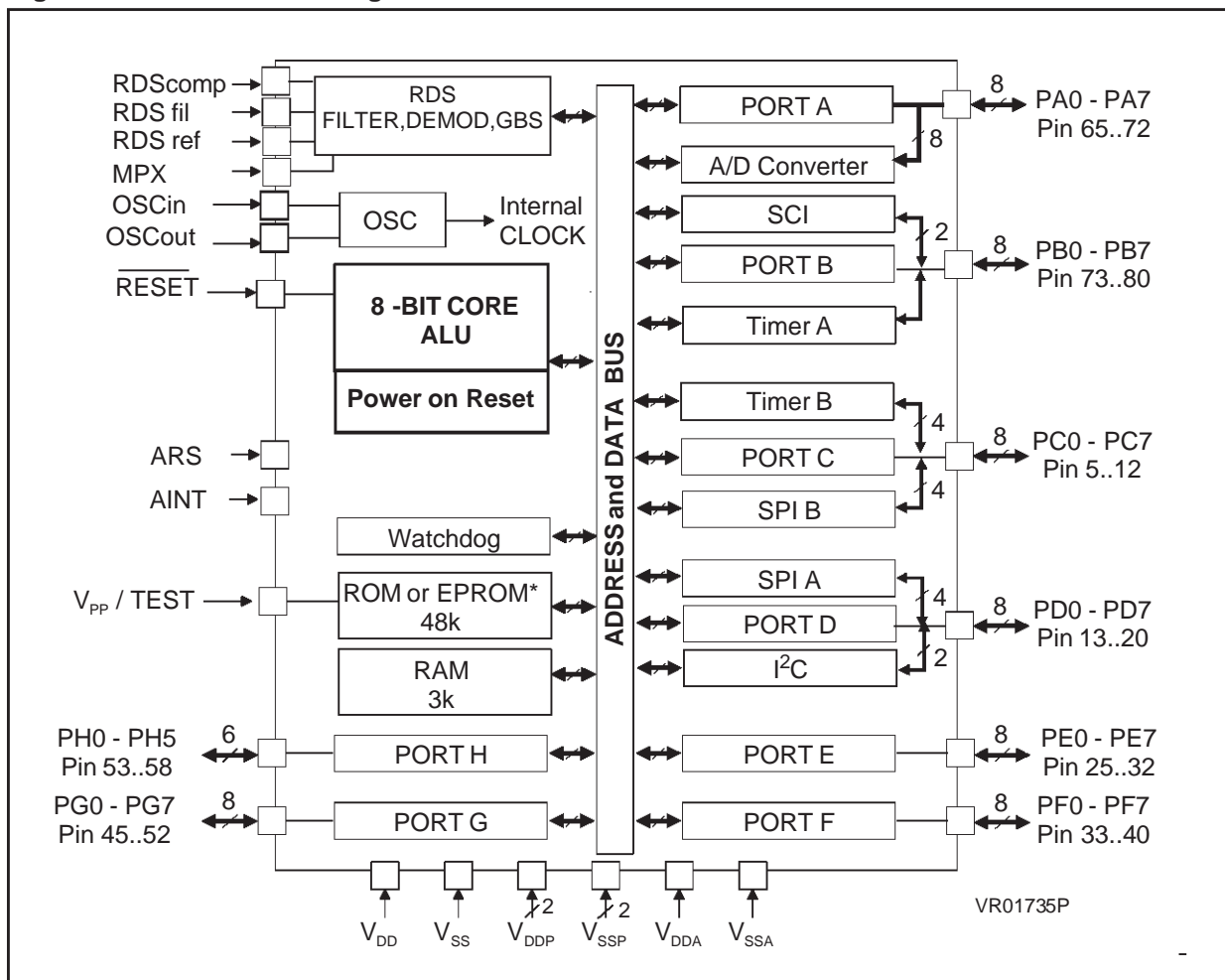
An additional mode is available to allow programming of the EPROM user memory array. This is

set by a specific voltage source applied to the V_{PP} /Test pin.

The ST72E85 (EPROM) features a 48K EPROM memory.

Watchdog activation is available by Software for Eprom and OTP devices.

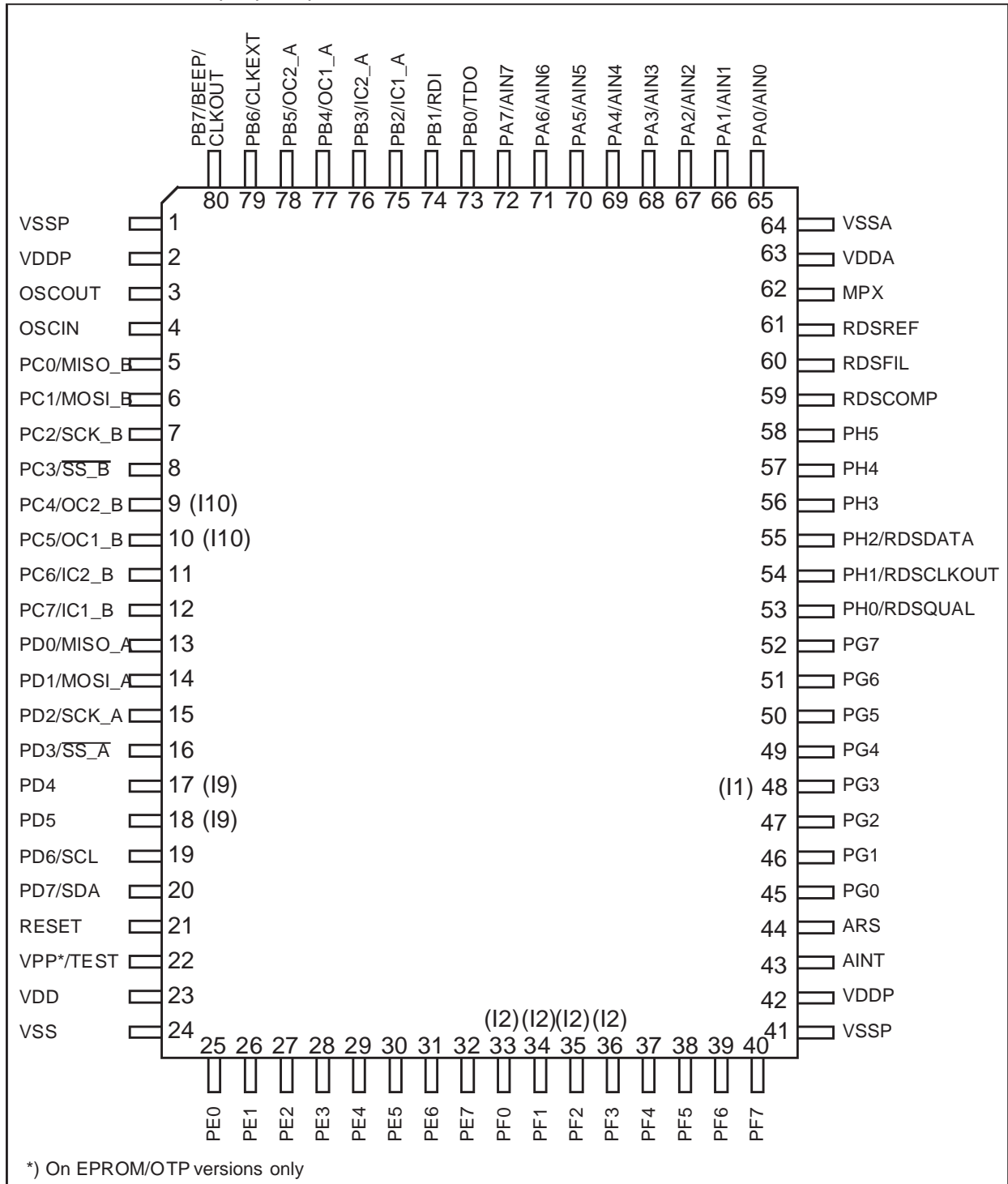
Figure 1. ST72E85 Block Diagram



*Note: EPROM and OTP versions only.

1.2 PIN DESCRIPTION

All I/Os from Port A to Port D, as well as PH0, 1 and 2, feature alternate function compatibility. Software selectable input pull-ups are available on ports featuring interrupt capability (PC4, PC5, PD4, PD5, PF0-PF3, PG3).



Pin	Pin Name(s)	Basic Function	Alternate Function	Remarks
1	V _{SSP}	Ground for Output Buffers	-	This pin is connected to pin 41
2	V _{DDP}	Power Supply for Output Buffers		This pin is connected to pin 42
3	OSCOUT	Oscillator Output pin.		
4	OSCIN	Oscillator Input pin.		
5	PC0/MISO_B	I/O Port PC0	SPI B master in/slave out data input/output	Alternate function or I/O. The I/O configuration is software selectable as triggered input or push pull output.
6	PC1/MOSI_B	I/O Port PC1	SPI B Master Out/ Slave In Data Input/ Output	
7	PC2/SCK_B	I/O Port PC2	SPI B Serial Clock	
8	PC3/SS_B	I/O Port PC3	SPI B Slave Select	
9	PC4/OC2_B	I/O Port PC4	Output Compare 2 on Timer B	Alternate function or I/O. Software selectable as triggered input, push pull output, or triggered interrupt input with pull up (Interrupt I10).
10	PC5/OC1_B	I/O Port PC5	Output Compare 1 on Timer B	
11	PC6/IC2_B	I/O Port PC6	Input Capture 2 on Timer B	Alternate function or I/O. The I/O configuration is software selectable as triggered input or push pull output.
12	PC7/IC1_B	I/O Port PC7	Input Capture 1 on Timer B.	
13	PD0/MISO_A	I/O Port PD0	SPI A Master In/ Slave Out Data Input/ Output	
14	PD1/MOSI_A	I/O Port PD1	SPI A Master Out/ Slave In data Input/ Output	
15	PD2/SCK_A	I/O Port PD2	SPI A Serial Clock	Software selectable as triggered input, push pull output, open drain output or triggered interrupt input with pull up (Interrupt I9).
16	PD3/SS_A	I/O Port PD3	SPI A Slave Select	
17	PD4	I/O Port PD4	-	
18	PD5	I/O Port PD5	-	
19	PD6/SCL	I/O Port PD6	I ² C Serial Clock	Alternate function or I/O. The I/O configuration is software selectable as triggered input or open drain output.
20	PD7/SDA	I/O Port PD7	I ² C Serial Data	
21	RESET	General Reset	-	Bidirectional. An active low signal forces MCU initialization. This event is the top priority non-maskable interrupt. As an output, it can be used to reset external peripherals.
22	V _{PP} /TEST	RESERVED	-	Input. This pin MUST be tied directly to V _{SS} during normal operation. In Programming Mode, this pin is connected to V _{PP} .
23	V _{DD}	Power Supply for all logic circuitry	-	Except for output buffers and pull-ups.
24	V _{SS}	Ground for all logic circuitry	-	

ST72E85 ST72T85

Pin	Pin Name(s)	Basic Function	Alternate Function	Remarks
25	PE0	I/O Port PE0	-	Software selectable as triggered input or push pull output.
26	PE1	I/O Port PE1	-	
27	PE2	I/O Port PE2	-	
28	PE3	I/O Port PE3	-	
29	PE4	I/O Port PE4	-	
30	PE5	I/O Port PE5	-	
31	PE6	I/O Port PE6	-	
32	PE7	I/O Port PE7	-	Software selectable as triggered input, a push pull output, open drain output, or triggered interrupt input with pull up (Interrupt I2).
33	PF0	I/O Port PF0	-	
34	PF1	I/O Port PF1	-	
35	PF2	I/O Port PF2	-	
36	PF3	I/O Port PF3	-	Software selectable as a triggered input or as a push pull output.
37	PF4	I/O Port PF4	-	
38	PF5	I/O Port PF5	-	
39	PF6	I/O Port PF6	-	
40	PF7	I/O Port PF7	-	
41	V _{SSP}	Ground for Output Buffers.	-	This pin is connected to pin 1.
42	V _{DDP}	Power Supply for Output Buffers	-	This pin is connected to pin 2.
43	AIN _T	Reserved	-	Must be tied to 5V
44	ARS	Reserved	-	Must be tied to 5V
45	PG0	I/O Port PG0	-	Software selectable as triggered input or push pull output.
46	PG1	I/O Port PG1	-	
47	PG2	I/O Port PG2	-	
48	PG3	I/O Port PG3	-	Software selectable as triggered input, a push pull output, open drain output, or triggered interrupt input with pull up (Interrupt I1).
49	PG4	I/O Port PG4	-	Software selectable as triggered input or push pull output. Note that PH0, 1, 2 offer alternate function capabilities for test purposes.
50	PG5	I/O Port PG5	-	
51	PG6	I/O Port PG6	-	
52	PG7	I/O Port PG7	-	
53	PH0/ RDSQUAL	I/O Port PH0	RDS Quality signal	Software selectable as triggered input or push pull output. Note that PH0, 1, 2 offer alternate function capabilities for test purposes.
54	PH1/ RDSCLK- OUT	I/O Port PH1	RDS GBS Clock Out signal	
55	PH2/ RDSDATA	I/O Port PH2	RDS GBS Data signal	
56	PH3	I/O Port PH3	-	Software selectable as triggered input or high voltage (10V max) open drain output.
57	PH4	I/O Port PH4	-	
58	PH5	I/O Port PH5	-	
59	RDSCOMP	RDS Comp Input signal		Used to feed the Demodulator from an external filter when the internal filter is switched off.
60	RDSFIL	RDS Filtered Output signal		Used for Demodulator test purposes.
61	RDSREF	RDS Input Reference		
62	MPX	RDS input signal		
63	V _{DDA}	Analog Power Supply		For RDS and ADC circuits
64	V _{SSA}	Analog Ground		

Pin	Pin Name(s)	Basic Function	Alternate Function	Remarks
65	PA0/AIN0	I/O Port PA0	Analog input to ADC	Alternate function or I/O. The I/O configuration is software selectable as triggered input or push pull output. Note that when a pin is used as Analog input it must not be configured as an output to avoid conflicts with the analog voltage to be measured.
66	PA1/AIN1	I/O Port PA1		
67	PA2/AIN2	I/O Port PA2		
68	PA3/AIN3	I/O Port PA3		
69	PA4/AIN4	I/O Port PA4		
70	PA5/AIN5	I/O Port PA5		
71	PA6/AIN6	I/O Port PA6		
72	PA7/AIN7	I/O Port PA7		
73	PB0/TDO	I/O Port PB0	SCI Transmit Data Out	Alternate function or I/O. The I/O configuration is software selectable as triggered input or push pull output.
74	PB1/RDI	I/O Port PB1	SCI Receive Data In	
75	PB2/IC1_A	I/O Port PB2	Input capture 1 on Timer A	
76	PB3/IC2_A	I/O Port PB3	Input capture 2 on Timer A	
77	PB4/OC1_A	I/O Port PB4	Output compare 1 on Timer A	
78	PB5/OC2_A	I/O Port PB5	Output compare 2 on Timer A	
79	PB6/CLKEXT	I/O Port PB6	External Clock on Timer A	
80	PB7/BEEP/CLKOUT	I/O Port PB7	BEEP or CPU Clock.	This pin can be a push pull output delivering the Beep signal (2KHz) or the CPU clock, according to the miscellaneous register settings.

1.3 MEMORY MAP

Table 1. Memory Map

Address	Block	Register name	Reset Status	Remarks
0000h	Port A	Data Reg	00h	R/W Register
0001h		Data Direction Reg	00h	R/W Register
0002h		Not Used		Absent
0003h		Not Used		Absent
0004h	Port B	Data Reg	00h	R/W Register
0005h		Data Direction Reg	00h	R/W Register
0006h		Not Used		Absent
0007h		Not Used		Absent
0008h	Port C	Data Reg	00h	R/W Register
0009h		Data Direction Reg	00h	R/W Register
000Ah		Option Reg	--00----b	R/W Register
000Bh		Not Used		Absent
000Ch	Port D	Data Reg	00h	R/W Register
000Dh		Data Direction Reg	00h	R/W Register
000Eh		Option Reg	--00----b	R/W Register
000Fh		Not Used		Absent
0010h	Port E	Data Reg	00h	R/W Register
0011h		Data Direction Reg	00h	R/W Register
0012h		Not Used		Absent
0013h		Not Used		Absent
0014h	Port F	Data Reg	00h	R/W Register
0015h		Data Direction Reg	00h	R/W Register
0016h		Option Reg	----0000b	R/W Register
0017h		Not Used		Absent
0018h	Port G	Data Reg	00h	R/W Register
0019h		Data Direction Reg	00h	R/W Register
001Ah		Option Reg	---0---b	R/W Register
001Bh		Not Used		Absent
001Ch	Port H	Data Reg	00h	R/W Register
001Dh		Data Direction Reg	00h	R/W Register
001Eh		Not Used		Absent
001Fh		Not Used		Absent
0020h	Miscellaneous Register		00h	see register description
0021h	SPI A	Data I/O Reg	XXh	R/W Register
0022h		Control Reg	0xh	R/W Register
0023h		Status Reg	00h	Read Only Register
0024h	WDG	Watchdog register	7Fh	see register description
0025h	SPI B	Data I/O Reg	XXh	R/W Register
0026h		Control Reg	0xh	R/W Register
0027h		Status Reg	00h	Read Only Register

Address	Block	Register name	Reset Status	Remarks
0028h	I ² C	CR: Control Register	00h	R/W Register
0029h		SR1: Status Register 1	00h	Read Only Register
002Ah		SR2: Status Register 2	00h	Read Only Register
002Bh		CCR: Clock Control Register	00h	R/W Register
002Ch		OAR1: Own Address Register 1	00h	R/W Register
002Dh		OAR2: Own Address Register 2	00h	R/W Register
002Eh		DR: Data Register	00h	R/W Register
002Fh	RESERVED			
0030h	RESERVED			
0031h	Timer A	Control Reg2	00h	R/W Register
0032h		Control Reg1	00h	R/W Register
0033h		Status Reg	XXh	Read Only Register
0034h		Input Capture1 High Register	XXh	Read Only Register
0035h		Input Capture1 Low Register	XXh	Read Only Register
0036h		Output Compare1 High Register	XXh	R/W Register
0037h		Output Compare1 Low Register	XXh	R/W Register
0038h		Counter High Register	FFh	Read Only Register
0039h		Counter Low Register	FCh	Read Only Register
003Ah		Alternate Counter High Register	00h	Read Only Register
003Bh		Alternate Counter Low Register	00h	Read Only Register
003Ch		Input Capture2 High Register	XXh	Read Only Register
003Dh		Input Capture2 Low Register	XXh	Read Only Register
003Eh		Output Compare2 High Register	XXh	R/W Register
003Fh		Output Compare2 Low Register	XXh	R/W Register
0040h	RESERVED			
0041h	Timer B	Control Reg2	00h	R/W Register
0042h		Control Reg1	00h	R/W Register
0043h		Status Reg	XXh	Read Only Register
0044h		Input Capture1 High Register	XXh	Read Only Register
0045h		Input Capture1 Low Register	XXh	Read Only Register
0046h		Output Compare1 High Register	XXh	R/W Register
0047h		Output Compare1 Low Register	XXh	R/W Register
0048h		Counter High Register	FFh	Read Only Register
0049h		Counter Low Register	FCh	Read Only Register
004Ah		Alternate Counter High Register	00h	Read Only Register
004Bh		Alternate Counter Low Register	00h	Read Only Register
004Ch		Input Capture2 High Register	XXh	Read Only Register
004Dh		Input Capture2 Low Register	XXh	Read Only Register
004Eh		Output Compare2 High Register	XXh	R/W Register
004Fh		Output Compare2 Low Register	XXh	R/W Register
0050h	SCI	SCSR: Status Register	1100000xb	Read Only Register
0051h		SCDR: Data Register	XXh	R/W Register
0052h		SCBRR: Baud Rate Register	00x----xb	R/W Register
0053h		SCCR1: Control Register 1	XXh	R/W Register
0054h		SCCR2: Control Register 2	00h	R/W Register
0055h		PSCBRR: Receive Baud Rate Reg	00h	R/W Register
0056h		Reserved	---	Reserved ST use
0057h		PSCBRT: Transmit Baud Rate Reg	00h	R/W Register
0058h	RESERVED			
0059h	RESERVED			
005Ah	RDS Filter	RDS FI1		R/W Register
005Bh		RDS FI2		R/W Register

Address	Block	Register name	Reset Status	Remarks
005Ch 005Dh 005Eh 005Fh	RDS Demodulator	RDS DE1 RDS DE2 RDS DE3 RDS DE4		see register description
0060h 0061h 0062h 0063h 0064h 0065h 0066h 0067h 0068h 0069h 006Ah 006Bh 006Ch 006Dh 006Eh 006Fh	RDS GBS	SR0 -Shift Reg 0 SR1 -Shift Reg 1 SR2 -Shift Reg 2 SR3 -Shift Reg 3 SY0 -Polynomial Reg 0 SY1 -Polynomial Reg 1 GS_CNT Count Reg GS_INT Interrupt Reg DR0 -RDSDAT Reg 0 DR1 -RDSDAT Reg 1 DR2 -RDSDAT Reg 2 DR3 -RDSDAT Reg 3 QR0 -QUALITY Reg 0 QR1 -QUALITY Reg 1 QR2 -QUALITY Reg 2 QR3 -QUALITY Reg 3		see register description
0070h 0071h	ADC	Data Reg Control/Status Reg	XXh 00h	Read Only Register Read/Write Register
0072h to 007Fh	RESERVED			
0080h to 0BFFh 0C00h to 0C7Fh	RAM 3K Bytes of which STACK 128 Bytes	User variables and subroutine nesting		
0C80h to 3FFFh	RESERVED			
4000h to FFDFh	OTP/EPROM 48K bytes (49120 bytes)	User application code and data		
FFE0h to FFFFh	User vectors	Interrupt and Reset Vectors		

1.4 EPROM ERASURE

ST72E85 EPROM devices are erased by exposure to high intensity UV light admitted through the transparent window. This exposure discharges the floating gate to its initial state through induced photo current.

It is recommended that the ST72E85 devices be kept out of direct sunlight, since the UV content of sunlight can be sufficient to cause functional failure. Extended exposure to room level fluorescent lighting may also cause erasure.

An opaque coating (paint, tape, label, etc...) should be placed over the package window if the product is to be operated under these lighting conditions. Covering the window also reduces I_{DD} in power-saving modes due to photo-diode leakage currents.

An Ultraviolet source of wave length 2537 Å yielding a total integrated dosage of 15 Watt-sec/cm is required to erase the ST72E85. The device will be erased in 15 to 20 minutes if such a UV lamp with a 12mW/cm power rating is placed 1 inch from the device window without any interposed filters.

1.5 EPROM/ROM I²C COMPATIBILITY APPLICATION NOTE

In order to insure full compatibility between the EPROM and the ROM versions of the ST7285 microcontroller, certain timing conditions have to be respected when using the I²C interface.

Otherwise the I²C interface of the ST72E85 can:

- Detect an unexpected START or STOP condition with BUS ERROR detection
- Generate unexpected BTF flag settings

Unexpected START or STOP condition detection

In the ST72E85 device, due to the synchronisation between the I²C peripheral and the f_{CPU} (4.332MHz), an unexpected START or STOP condition can be detected in Slave mode. This generates an unexpected Bus Error and sets the BERR bit in the SR2 register.

To avoid this effect, the following I²C timing has to be respected:

- $t_{s_{DAT}} > 1/f_{CPU} \sim 230,84ns$
- $t_{h_{DAT}} > 1/f_{CPU} \sim 230,84ns$

In the ROM version of the ST7285, the I²C peripheral and f_{CPU} are asynchronous, so no unexpected START or STOP condition can be detected.

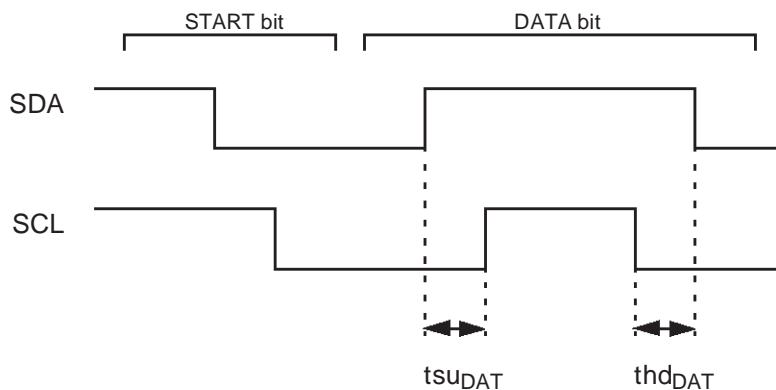
Unexpected BTF flag setting after a STOP condition

Due to the reason described in the previous paragraph, the BTF flag can be set unexpectedly in the I²C interface of the ST72E85 after a STOP condition is detected in Slave mode.

To recover from this condition, reset and subsequently set the PE bit in the CR register when the STOPF and BTF flags are set at the same time after a STOP condition detection.

The I²C interface is not subject to this effect in the ROM version of the ST7285.

Figure 46. I²C Timing Diagram



2 ELECTRICAL CHARACTERISTICS

2.1 ABSOLUTE MAXIMUM RATINGS

Devices of the ST72 family contain circuitry to protect the inputs against damage due to high static voltage or electric fields. Nevertheless, it is recommended that normal precautions be observed in order to avoid subjecting this high-impedance circuit to voltages above those quoted in the Absolute Maximum Ratings. For proper operation, it is recommended that V_{IN} and V_{OUT} be constrained within the range:

$$V_{SS} \leq V_{IN} \text{ and } V_{OUT} \leq V_{DD}$$

To enhance reliability of operation, it is recommended to configure unused I/Os as inputs and to

connect them to an appropriate logic voltage level such as V_{SS} or V_{DD} .

All the voltage in the following tables are referenced to V_{SS} .

Stresses above those listed as “Absolute Maximum Ratings” may cause permanent damage to the device. Functional operation of the device at these conditions is not implied. Exposure to maximum rating conditions for extended periods may affect device reliability.

Absolute Maximum Ratings (Voltage Referenced to V_{SS})

Symbol	Ratings	Value	Unit
$V_{DD}/V_{DDA}/V_{DDP}$	Supply Voltage	0.3 to +6	V
$ V_{DDA} - V_{DD} $	Supply Voltage	< 50	mV
V_{IN}	Input Voltage	$V_{SS} - 0.3$ to $V_{DD} + 0.3$	V
$I_{VDD} - I_{VSS}$	Total current into V_{DD}/V_{SS} pins	50/20	mA
I	Current Drain per Pin Excluding V_{DD} and V_{SS}	20	mA
T_A	Maximum Operating Temperature Range	T_L to T_H -40to +85	°C
T_{STG}	Storage Temperature Range	-65 to +150	°C
V_{HV}	High voltage on pins PH3, PH4, PH5	10	V
ESD	ESD sensitivity on PH5 (Pin 58)	1.5	KV
LU	LU sensitivity on MPX (Pin 62)	Class D	

2.2 POWER CONSIDERATIONS

The average chip-junction temperature, T_J , in degrees Celsius, may be calculated using the following equation:

$$T_J = T_A + (P_D \times \theta_{JA}) \quad (1)$$

Where:

- T_A is the Ambient Temperature in °C,
- θ_{JA} is the Package Junction-to-Ambient Thermal Resistance, in °C/W,
- P_D is the sum of P_{INT} and $P_{I/O}$,
- P_{INT} is the product of I_{DD} and V_{DD} , expressed in Watts. This is the Chip Internal Power
- $P_{I/O}$ represents the Power Dissipation on Input and Output Pins; User Determined.

For most applications $P_{I/O} < P_{INT}$ and may be neglected. $P_{I/O}$ may be significant if the device is configured to drive Darlington bases or sink LED Loads.

An approximate relationship between P_D and T_J (if $P_{I/O}$ is neglected) is given by:

$$P_D = K \div (T_J + 273^\circ\text{C}) \quad (2)$$

Therefore:

$$K = P_D \times (T_A + 273^\circ\text{C}) + \theta_{JA} \times P_D^2 \quad (3)$$

Where:

- K is a constant for the particular part, which may be determined from equation (3) by measuring P_D (at equilibrium) for a known T_A . Using this value of K , the values of P_D and T_J may be obtained by solving equations (1) and (2) iteratively for any value of T_A .

Table 2. Thermal Characteristics

Symbol	Package	Value	Unit
θ_{JA}	PQFP80	60	°C/W
	CQFP80		

2.3 DC ELECTRICAL CHARACTERISTICS

(T_A = -40 to +85°C unless otherwise specified)

GENERAL						
Symbol	Parameter	Conditions	Min	Typ.	Max	Unit
V _{DD}	Supply Voltage	RDS Filter operational	4.5		5.5	V
		Without RDS filter capability	3.0		6.0	

STANDARD I/O PORT PINS						
Symbol	Parameter	Conditions	Min	Typ	Max	Unit
V _{IL}	Input Low Level Voltage		-	-	0.3xV _{DD}	V
V _{IH}	Input High Level Voltage		0.7xV _{DD}	-	-	V
V _{OL}	Output Low Level Voltage	I=-5mA	-	-	0.5	V
		I=-1.6mA	-	-	0.3	V
V _{OL}	Output Low Level Voltage on pins PH3, PH4, PH5	I=-5mA	-	-	1.0	V
		I=-1.6mA	-	-	0.4	V
V _{OH}	Output High Level Voltage	I=5mA	3.1	-	-	V
		I=1.6mA	3.4	-	-	V
I _L	Input Leakage Current	V _{SS} <V _{PIN} <V _{DD}	-10	-	10	µA
I _{RPU}	Pull-up Equivalent Resistance	V _{IN} =V _{SS}	40	-	250	KΩ
T _{ohl}	Output H-L Fall Time	C _I =50pF	-	30	-	ns
T _{olh}	Output L-H Rise Time	C _I =50pF	-	30	-	ns

Note: All voltages are referred to V_{SS} unless otherwise specified.

A/D CONVERTER						
Symbol	Parameter	Conditions	Min	Typ	Max	Unit
Val	Resolution	f _{OSC} = 8 MHz		8		bit
Terr	Total Error	f _{OSC} = 8 MHz			± 2	LSB
Tcon	Conversion Time	f _{OSC} = 8 MHz	16			µs
Rva	Analog Source Impedance			-	10	KΩ

Note: At 85°C and V_{DD} = 5.5V, code 255 is missing.

RDS FILTER						
Symbol	Parameter	Conditions	Min	Typ	Max	Unit
f _C	Center Frequency		56.5	57	57.5	KHz
BW	3dB Bandwidth	V _{IN} : 3mV rms	2.5	3	3.5	KHz
G	Gain	@ 57 KHz	18	20	22	dB
A	Attenuation	Δf = ±4KHz		22		dB
		f = 38KHz	50	80		
		f = 67KHz	35	50		
R _I	Input Impedance of MPX		100	160	200	KΩ
R _L	Load Impedance of FILOUT		1			MΩ
S/N	Signal to Noise Ratio	V _{IN} = 3mV _{RMS}		40		dB
V _{IN}	MPX input signal	f = 19KHz, T3 ≤ 40 dB ^{*)}	170	250	600	mV _{RMS}
V _{REF}	Reference			V _{DD} /2		V

Note ^{*)}: The 3rd harmonic (57KHz) must be less than -40dB with respect to the input signal plus gain

2.4 AC ELECTRICAL CHARACTERISTICS

($T_A = -40$ to $+85^\circ\text{C}$ unless otherwise specified)

Symbol	Parameter	Conditions	Value			Unit
			Min	Typ.	Max	
V_{DD}	Operating Supply Voltage	4.332 MHz Internal	4.5		5.5	V
I_{DD}	Supply Current	RUN Mode $f_{EXT} = 8.664\text{MHz}$ $V_{DD} = 5.0\text{V}$, $f_{INT} = 4.332\text{MHz}$			20	mA
		WAIT Mode $f_{EXT} = 8.664\text{MHz}$ $V_{DD} = 5.5\text{V}$, $f_{INT} = 4.332\text{MHz}$		3	5	mA
		HALT Mode, $V_{DD} = 5.0\text{V}$		TBD		μA
V_{RM}	Data Retention Mode	HALT Mode	2			V

2.5 CONTROL TIMING

(Operating conditions $T_A = -40$ to $+85^\circ\text{C}$ unless otherwise specified)

Symbol	Parameter	Test Conditions	Value			Unit
			Min	Typ.	Max	
f_{OSC}	Frequency of Operation	$V_{DD} = 4.5\text{V}$ f external f internal			8.664 4.332	MHz
t_{ILCH}	Halt Mode Recovery Startup Time	Crystal Resonator			20	ms
t_{RL}	External RESET Input pulse Width		1.5			t_{CYC}
t_{PORL}	Power Reset Duration		4096			t_{CYC}
T_{DOGL}	Watchdog RESET Output Pulse Width			200		ns
t_{DOG}	Watchdog Time-out		12,288		786,432	t_{CYC}
t_{LIL}	Interrupt Pulse Period		(1)			t_{CYC}
t_{XOV}	Crystal Oscillator Start-up Time				50	ms
t_{DDR}	Power up rise time	V_{DD} min			100	ms

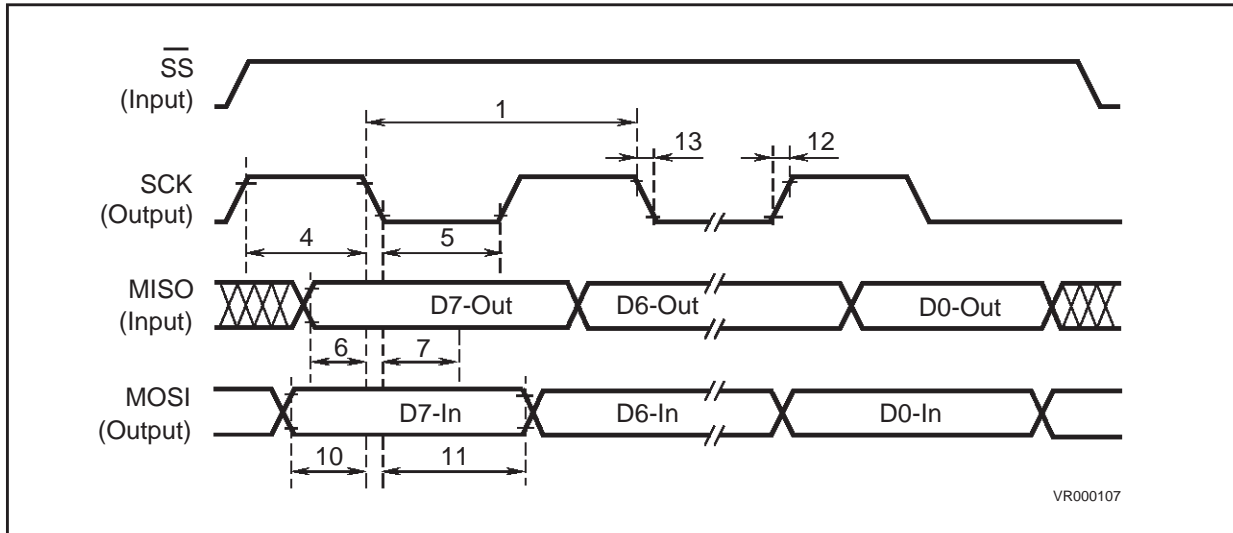
Note: 1. The minimum period t_{LIL} should not be less than the number of cycle times it takes to execute the interrupt service routine plus 21 cycles.

CONTROL TIMING (Cont'd)

SERIAL PERIPHERAL INTERFACE					
Symbol	Num.	Characteristics	f _{osc} = 8.0MHz		Unit
			Min.	Max.	
f _{OP(m)} f _{OP(s)}		Operating Frequency = f _{OSC/2} = f _{OP} Master Slave	dc dc	0.5 4.0	f _{OP} MHz
t _{CYC(m)} t _{CYC(s)}	1	Cycle Time Master Slave	2.0 240		t _{CYC} ns
t _{lead(m)} t _{lead(s)}	2	Enable Lead Time Master Slave	(1) 120		ns
	3	Enable Lag time Master Slave	(1) 120		ns
t _{W(SCKH)} t _{W(SCKH)}	4	Clock (SCK)High Time Master Slave	100 90		ns ns
t _{W(SCKL)} t _{W(SCKL)}	5	Clock (SCK) Low Time Master Slave	100 90		ns ns
t _{SU(m)} t _{SU(s)}	6	Data Set-up Time Master Slave	100 100		ns ns
t _{H(m)} t _{H(s)}	7	Data Hold Time (Inputs) Master Slave	100 100		ns ns
t _A	8	Access Time (Time to Data Active from High Impedance State) Slave	0	120	ns
t _{DIS}	9	Disable Time (Hold Time to High Impedance State) Slave		240	ns
t _{V(m)} t _{V(s)}	10	Data Valid Master (Before Capture Edge) Slave (After Enable Edge) ⁽²⁾	0.25	120	t _{CYC(m)} ns
t _{HO(m)} t _{HO(s)}	11	Data Hold Time (Outputs) Master (Before Capture Edge) Slave (After Enable Edge)	0.25 0		t _{CYC(m)} ns
t _{RM} t _{RS}	12	Rise Time (20% V _{DD} to 70% V _{DD} , C _L = 200pF) SPI Outputs (SCK, MOSI, MISO) SPI Inputs (SCK, MOSI, MISO, \overline{SS})		100 2.0	ns μs
t _{FM} t _{FS}	13	Fall Time (70% V _{DD} to 20% V _{DD} , C _L SPI Outputs (SCK, MOSI, MISO) SPI Inputs (SCK, MOSI, MISO, \overline{SS})		100 2.0	ns μs

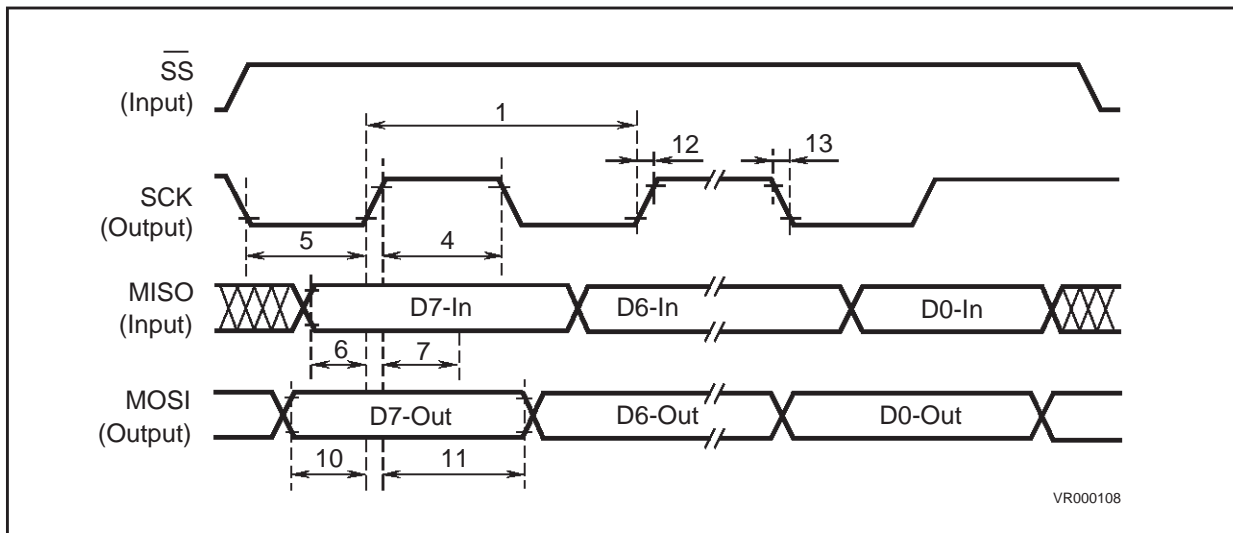
CONTROL TIMING (Cont'd)

Figure 2. SPI Master Timing Diagram CPOL=0, CPHA=1



Note: Measurement points are V_{OL} , V_{OH} , V_{IL} and V_{IH}

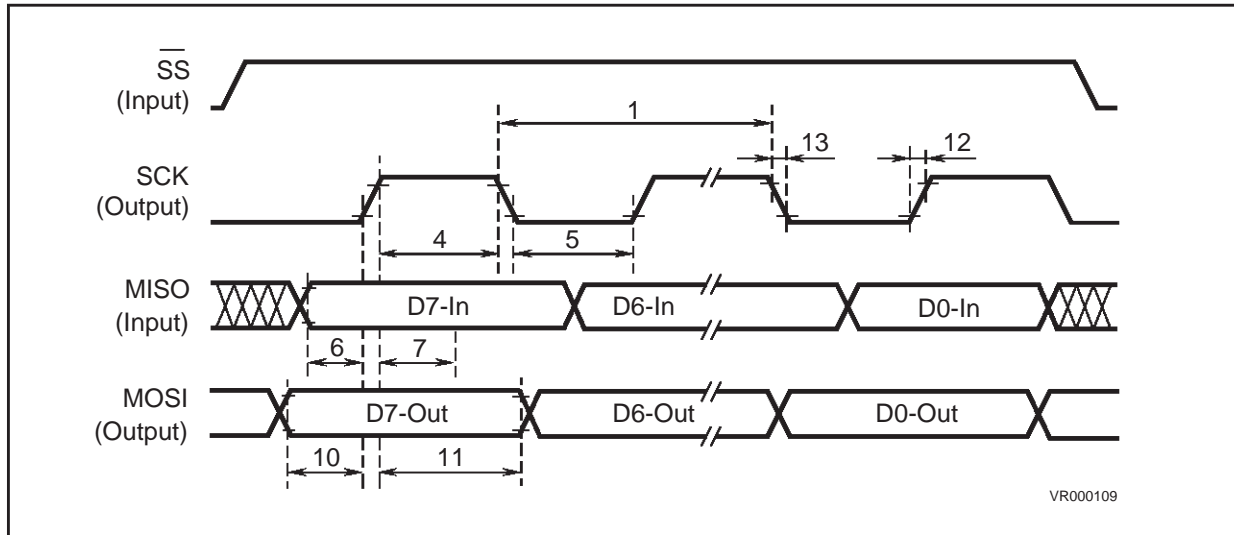
Figure 3. SPI Master Timing Diagram CPOL=1, CPHA=1



Note: Measurement points are V_{OL} , V_{OH} , V_{IL} and V_{IH}

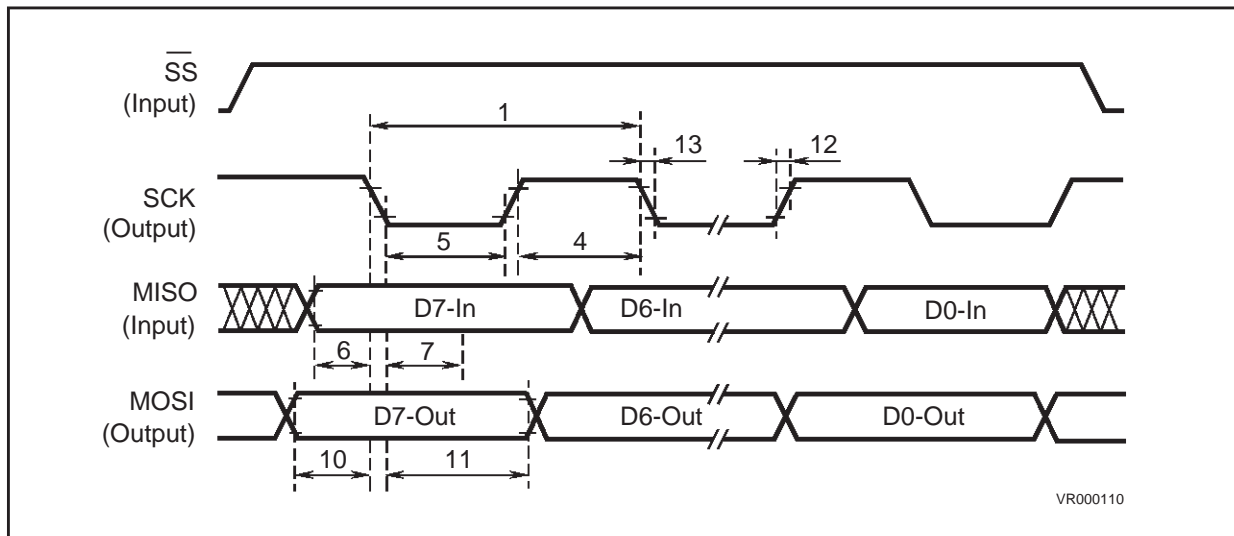
CONTROL TIMING (Cont'd)

Figure 4. SPI Master Timing Diagram CPOL=0, CPHA=0



Note: Measurement points are V_{OL} , V_{OH} , V_{IL} and V_{IH}

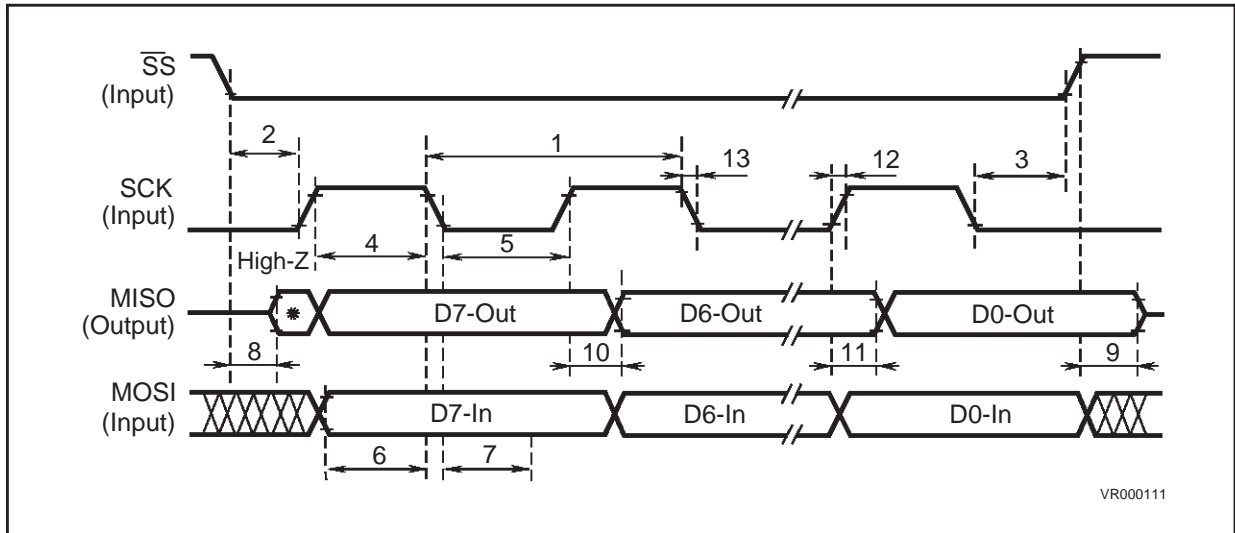
Figure 5. SPI Master Timing Diagram CPOL=1, CPHA=1



Note: Measurement points are V_{OL} , V_{OH} , V_{IL} and V_{IH}

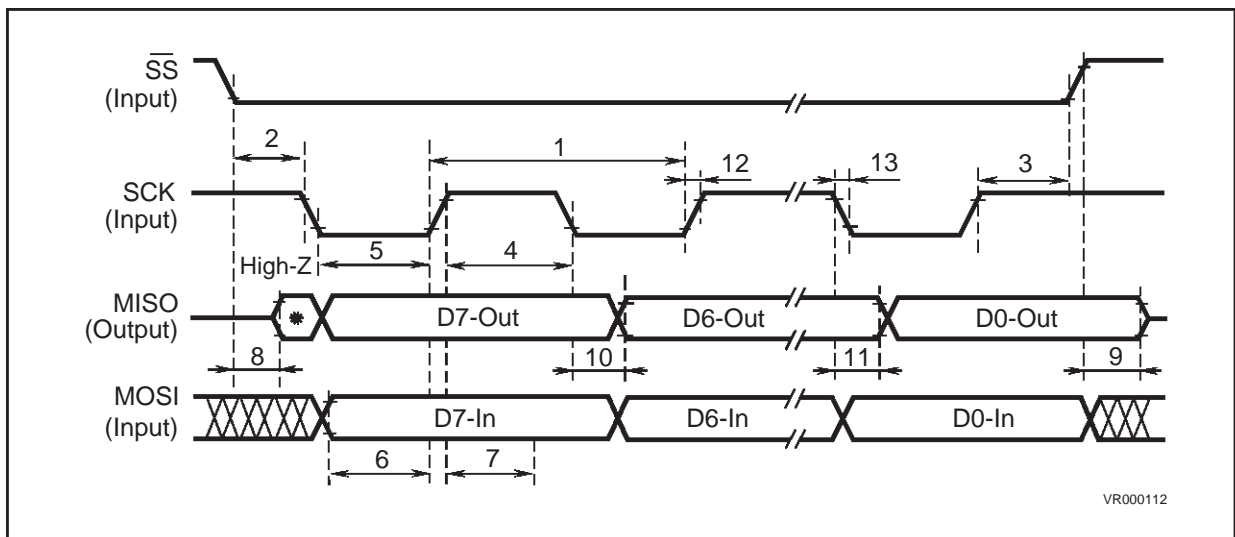
CONTROL TIMING (Cont'd)

Figure 6. SPI Slave Timing Diagram CPOL=0, CPHA=1



Note: Measurement points are V_{OL} , V_{OH} , V_{IL} and V_{IH}

Figure 7. SPI Slave Timing Diagram CPOL=1, CPHA=1



Note: Measurement points are V_{OL} , V_{OH} , V_{IL} and V_{IH}

CONTROL TIMING (Cont'd)

Figure 8. SPI Slave Timing Diagram CPOL=0, CPHA=0

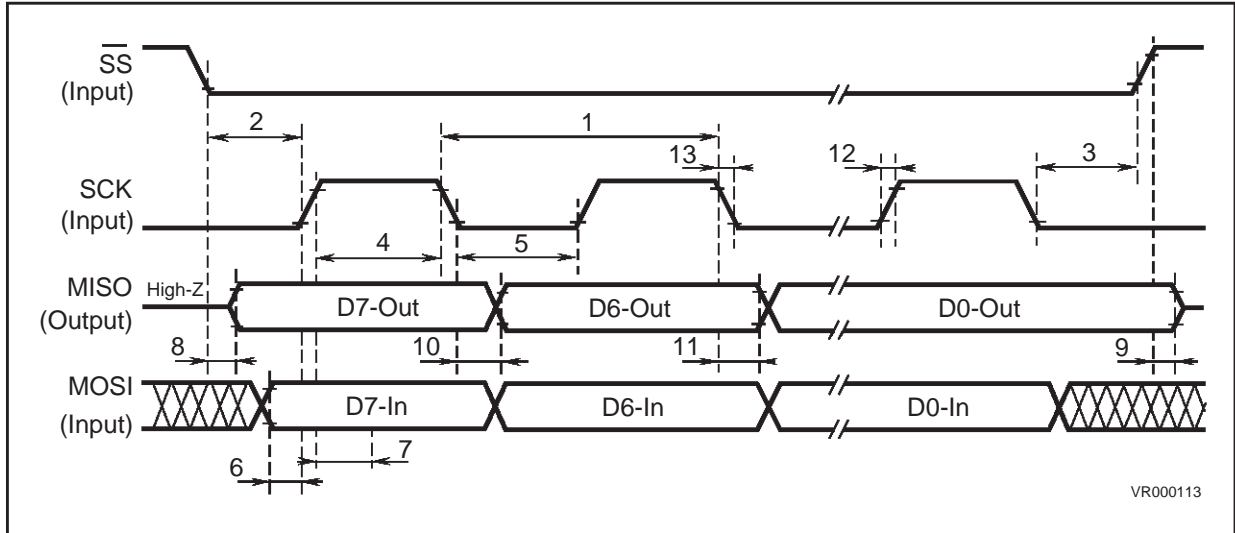
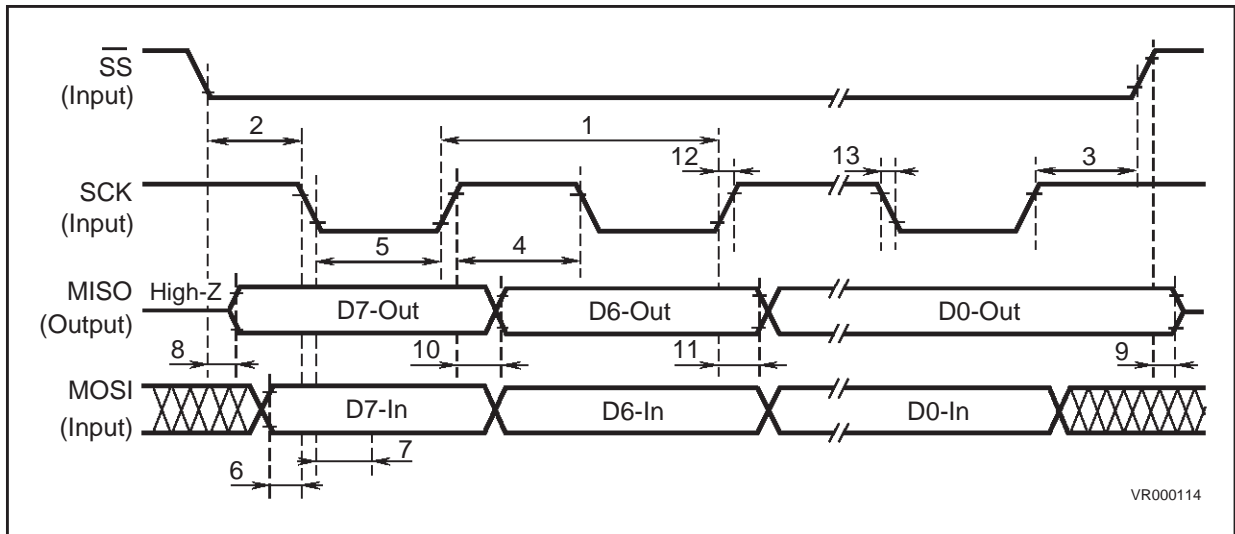


Figure 9. SPI Slave Timing Diagram CPOL=1, CPHA=0



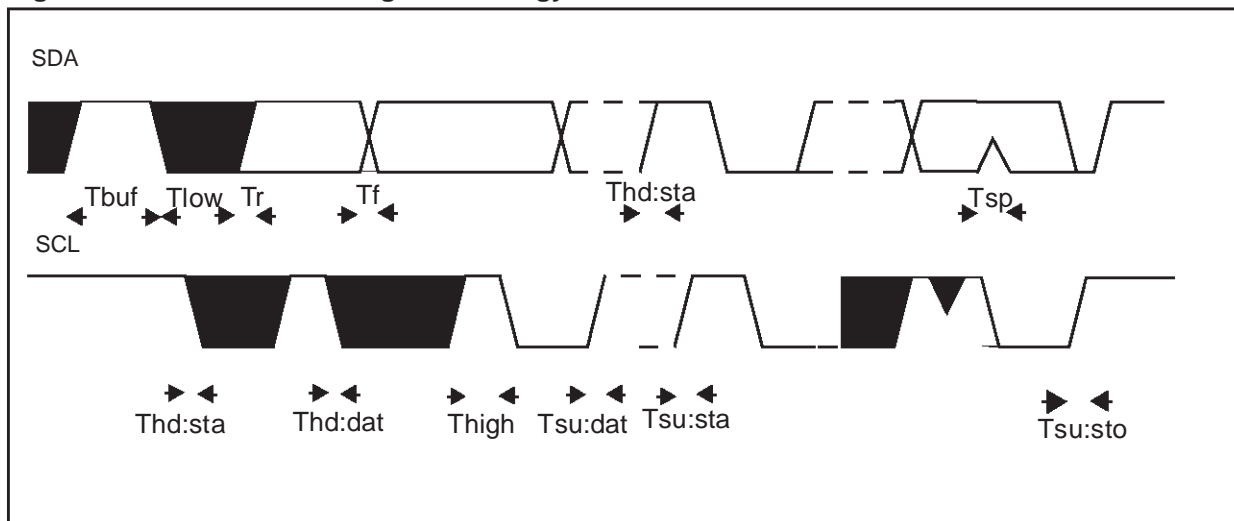
CONTROL TIMING (Cont'd)

I ² C BUS INTERFACE						
Parameter	Standard I ² C		Fast I ² C		Symbol	Unit
	Min	Max	Min	Max		
Bus free time between a STOP and START condition	4.7		1.3		T _{ubs}	ms
Hold time START condition. After this period, the first clock pulse is generated	4.0		0.6		T _{hd:sta}	μs
LOW period of the SCL clock	4.7		1.3		T _{low}	μs
HIGH period of the SCL clock	4.0		0.6		T _{high}	μs
Set-up time for a repeated START condition	4.7		0.6		T _{su:sta}	μs
Data hold time	0 (1)		0 (1)	0.9(2)	T _{hd:dat}	μs
Data set-up time	250		100		T _{su:dat}	ns
Rise time of both SDA and SCL signals		1000	20+0.1C _b	300	T _r	ns
Fall time of both SDA and SCL signals		300	20+0.1C _b	300	T _f	ns
Set-up time for STOP condition	4.0		0.6		T _{su:sto}	ns
Capacitive load for each bus line		400		400	C _b	pF

1. The device must internally provide a hold time of at least 300 ns for the SDA signal in order to bridge the undefined region of the falling edge of SCL
2. The maximum hold time of the START condition only has to be met if the interface does not stretch the low period of SCL signal

C_b = total capacitance of one bus line in pF

Figure 10. Definition of Timing Terminology



3 GENERAL INFORMATION

3.1 PACKAGE MECHANICAL DATA

Figure 47. 80-Pin Ceramic Quad Flat Package

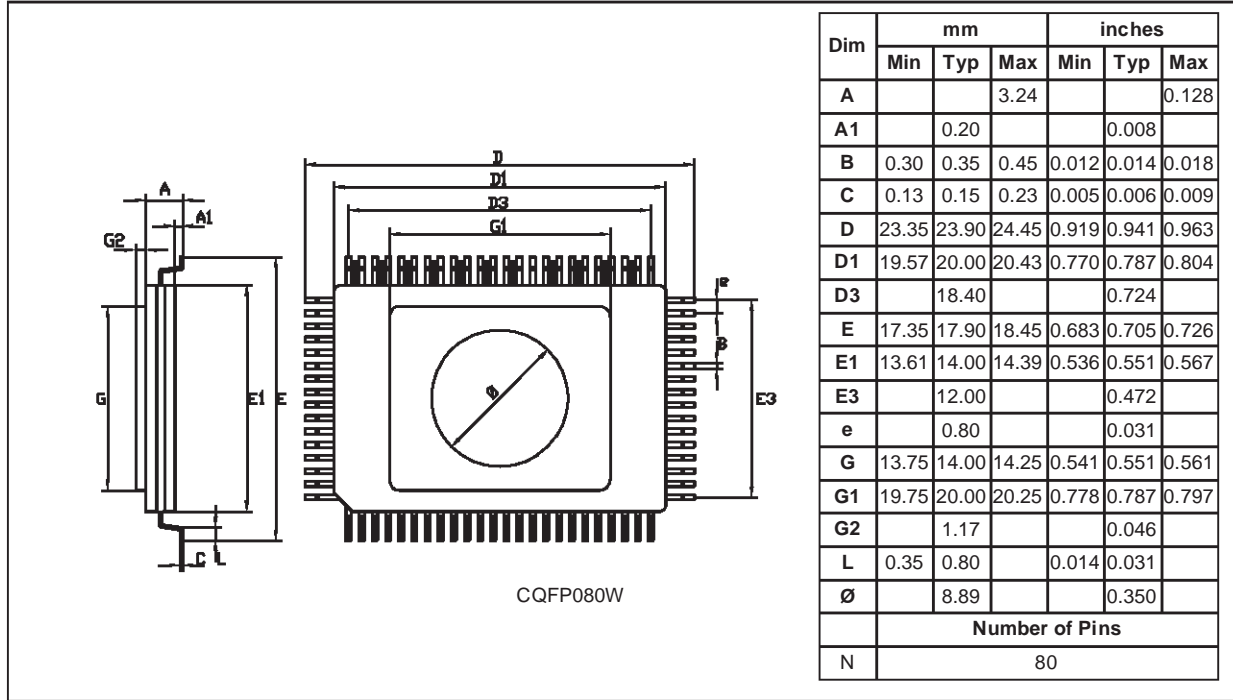


Table 15. Ordering Information Table

Sales Types	Program Memory	RAM Size	Temperature Range	Package
ST72E85A5G0	48K EPROM	3K	+25°C	CQFP80
ST72T85A5Q6	48K OTP	3K	-40 to +85°C	PQFP80

Information furnished is believed to be accurate and reliable. However, SGS-THOMSON Microelectronics assumes no responsibility for the consequences of use of such information nor for any infringement of patents or other rights of third parties which may result from its use. No license is granted by implication or otherwise under any patent or patent rights of SGS-THOMSON Microelectronics. Specifications mentioned in this publication are subject to change without notice. This publication supersedes and replaces all information previously supplied. SGS-THOMSON Microelectronics products are not authorized for use as critical components in life support devices or systems without the express written approval of SGS-THOMSON Microelectronics.

©1997 SGS-THOMSON Microelectronics - All rights reserved.

Purchase of I²C Components by SGS-THOMSON Microelectronics conveys a license under the Philips I²C Patent. Rights to use these components in an I²C system is granted provided that the system conforms to the I²C Standard Specification as defined by Philips.

SGS-THOMSON Microelectronics Group of Companies

Australia - Brazil - Canada - China - France - Germany - Italy - Japan - Korea - Malaysia - Malta - Morocco - The Netherlands - Singapore
Spain - Sweden - Switzerland - Taiwan - Thailand - United Kingdom - U.S.A.