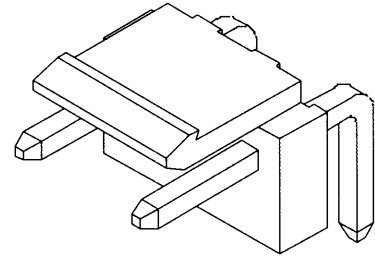


molex® 7.92mm (.312") Pitch Wire-to-Board Header

35979 Right Angle



FEATURES AND SPECIFICATIONS

Features and Benefits

- Sizes 2 to 5 circuits
- Polarization prevents mismatching
- Low profile for tight packing applications

Reference Information

Product Specification: PS-35979-001

Packaging: Bag

Mates With: 35977

Designed In: Millimeters

Electrical

Voltage: 250V

Current: 7.0A

Contact Resistance: 10mΩ max.

Dielectric Withstanding Voltage: 1500V

Insulation Resistance: 500 MΩ min.

Mechanical

Mating Force: 49.0N (11.0 lb) max.

Unmating Force: 2.9N (0.7 lb) min.

Durability: 30 cycles

Physical

Housing: PA66, UL 94V-0

Contact: Brass

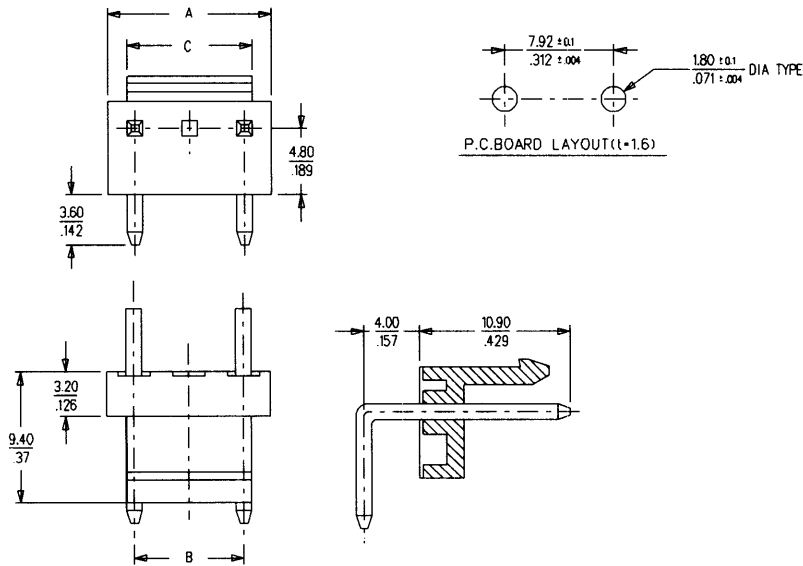
Plating: Tin/Lead

Operating Temperature: -25 to +85°C

3.00 to 7.92mm (.118 to .312") Pitch

D

CATALOG DRAWING (FOR REFERENCE ONLY)



ORDERING INFORMATION AND DIMENSIONS

| Circuits | Order No. | | | Dimension | | |
|----------|------------|------------|------------|---------------|---------------|---------------|
| | White | Red | Blue | A | B | C |
| 2 | 35979-0220 | 35979-0222 | 35979-0224 | 11.88 (.468) | 7.92 (.312) | 8.98 (.354) |
| 3 | 35979-0320 | 35979-0322 | 35979-0324 | 19.80 (.780) | 15.84 (.624) | 16.90 (.665) |
| 4 | 35979-0420 | 35979-0422 | 35979-0424 | 27.72 (1.091) | 23.76 (.935) | 24.82 (.977) |
| 5 | 35979-0520 | 35979-0522 | 35979-0524 | 35.64 (1.403) | 31.68 (1.247) | 32.74 (1.289) |