

THIS INFORMATION IS CONFIDENTIAL AND PROPRIETARY TO CW INDUSTRIES INCORPORATED AND ITS AFFILIATES. IT MAY NOT BE DISCLOSED TO ANYONE, OTHER THAN CW INDUSTRIES PERSONNEL, WITHOUT WRITTEN AUTHORIZATION FROM CW INDUSTRIES INCORPORATED, SOUTHAMPTON, PENNSYLVANIA USA.

Rating	20A 14VDC
Contact Resistance	50m ohm Max.
Insulation Resistance	DC 500V 100M ohm Min.
Dielectric Strength	AC 1500V 1 minute
Operation Temperature	-25°C ~ 85°C
Switch Function	4P SPST (ON)-OFF (LED independent)

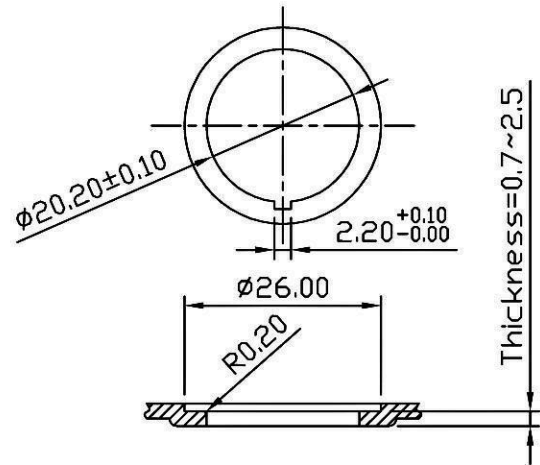
() = Momentary Function

***MATERIAL:**

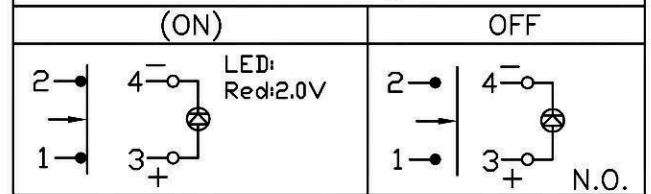
Frame: Black, Nylon 66 (94-V2)
 Actuator: Red, PC (94-V2)
 Terminals: Silver plated, Copper alloy
 Waterproof Rubber: Black, Silicone
 Printed: None

Waterproof: IP65

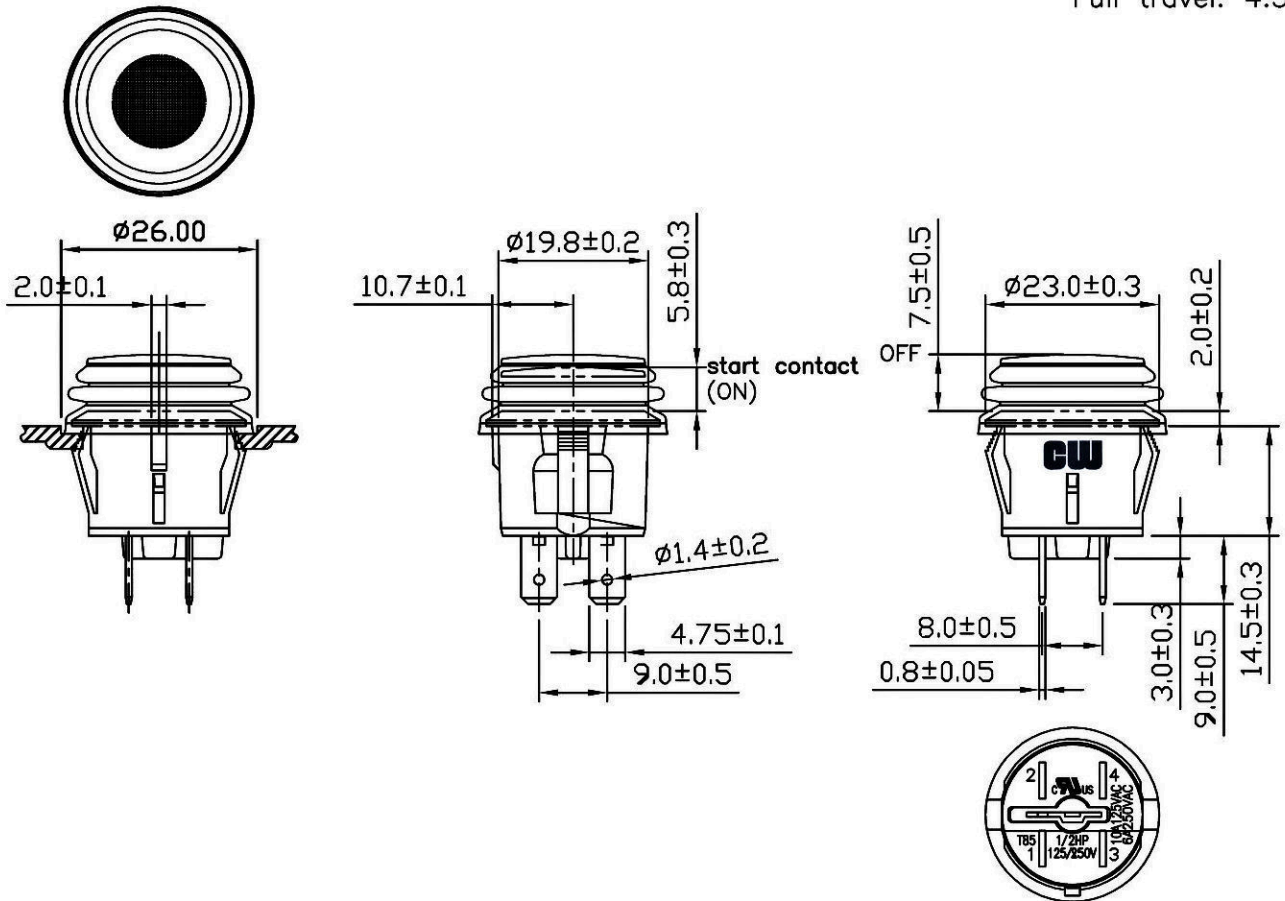
Mounting Hole



Circuit Diagram



Full travel: 4.5mm



RoHS Compliant

CW INDUSTRIES
 Southampton, Pa. 18966
 Tel 215.355.7080/www.cwind.com

Date Drawn: 10/22/08

Rev. 0

Unit: mm

Checked By: GG

Title:
PUSH BUTTON SWITCH

CW P/N:
GPB527C2L02BR1