



PD21 Single Digit 7 Segment 0.8" LED Display

Features

- *Single Digit .8" (20.32mm) Yellow Display with 13 Pins
- *Low Current Requirements
- *High Light Output
- *IC Compatible
- *High Reliability
- *Gray Face, White Segments
- *RoHS Compliant

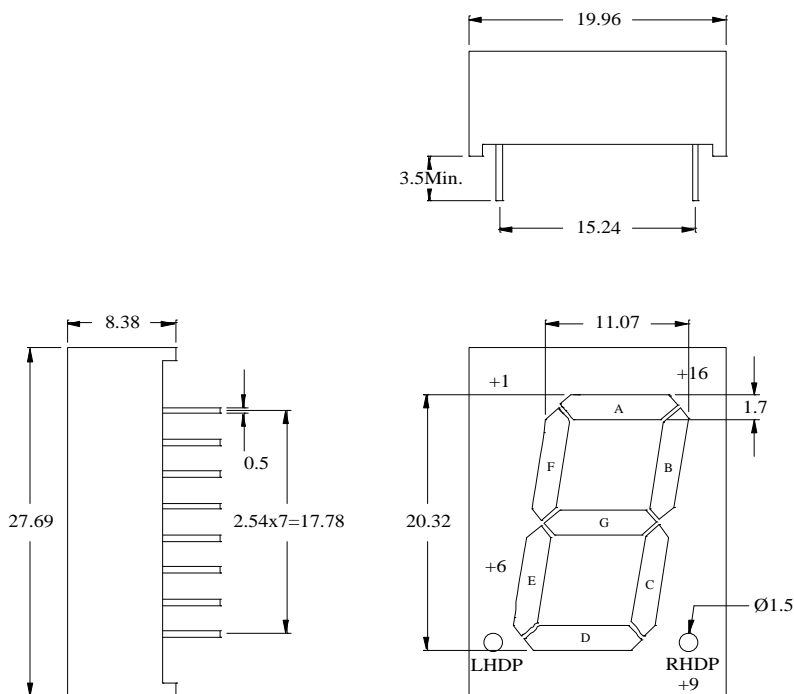
Absolute Maximum Ratings at T_A = 25°C

Power Dissipation per Segment.....	78mW
Reverse Voltage (<100 μA).....	5.0V
Max Forward Current.....	30mA
Peak Forward Current (1/10 Duty Cycle, 0.1ms Pulse Width).....	100mA
Operating Temperature Range.....	-25°C to +85°C
Storage Temperature Range.....	-40°C to +100°C
Soldering Temperature (1.6mm below body).....	260°C for 5 seconds

Electrical & Optical Characteristics at T_A = 25°C

Part Number		Emitting Color	Chip Material	Peak Wave Length	Dominant Wave Length	Forward Voltage @20mA (V)		Luminous Intensity @10mA (mcd)	
						Typ	Max	Min	Typ
Common Anode	Common Cathode			nm	nm				
PD21-CADY01	PD21-CCDY01	Yellow	GaAsP	585	590	2.1	2.6	2.0	5.0

All Dimensions are in **Millimeters**. Tolerance is ± 0.25mm unless otherwise specified. The Slope Angle of any Pin maybe ± 5° max.



Pin Function	
Common Anode Pin #	Common Cathode Pin #
1 Cathode A	1 Anode A
2 Cathode F	2 Anode F
3 Common Anode	3 Common Cathode
4 Cathode E	4 Anode E
5 Common Anode	5 Common Cathode
6 Cathode LHDP	6 Anode LHDP
7 No Pin	7 No Pin
8 No Pin	8 No Pin
9 Cathode RHDP	9 Anode RHDP
10 Cathode D	10 Anode D
11 Common Anode	11 Common Cathode
12 Cathode C	12 Anode C
13 Cathode G	13 Anode G
14 Cathode B	14 Anode B
15 No Pin	15 No Pin
16 Common Anode	16 Common Cathode