

SHINDENGEN

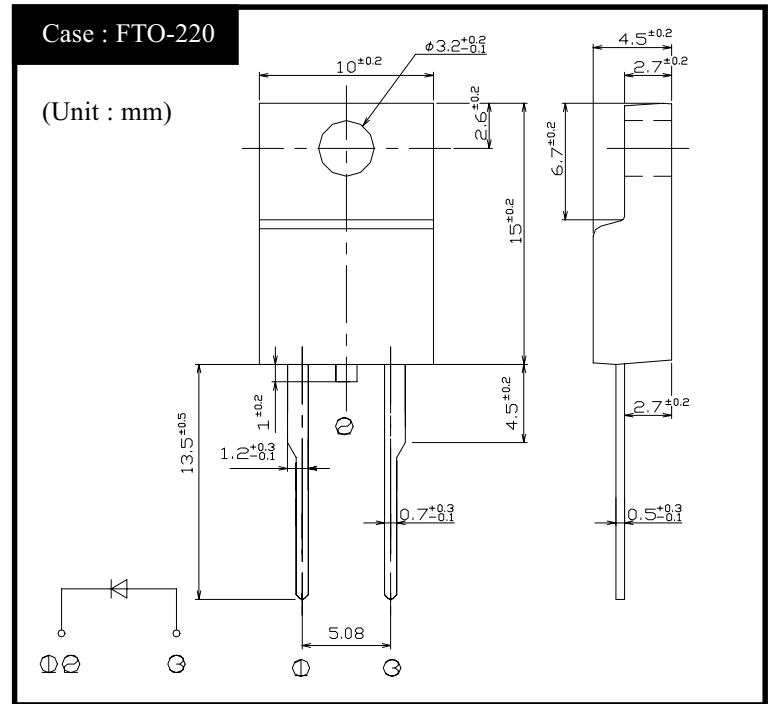
Schottky Rectifiers (SBD)

Single

SF30H1R5

15V 30A

OUTLINE DIMENSIONS



RATINGS

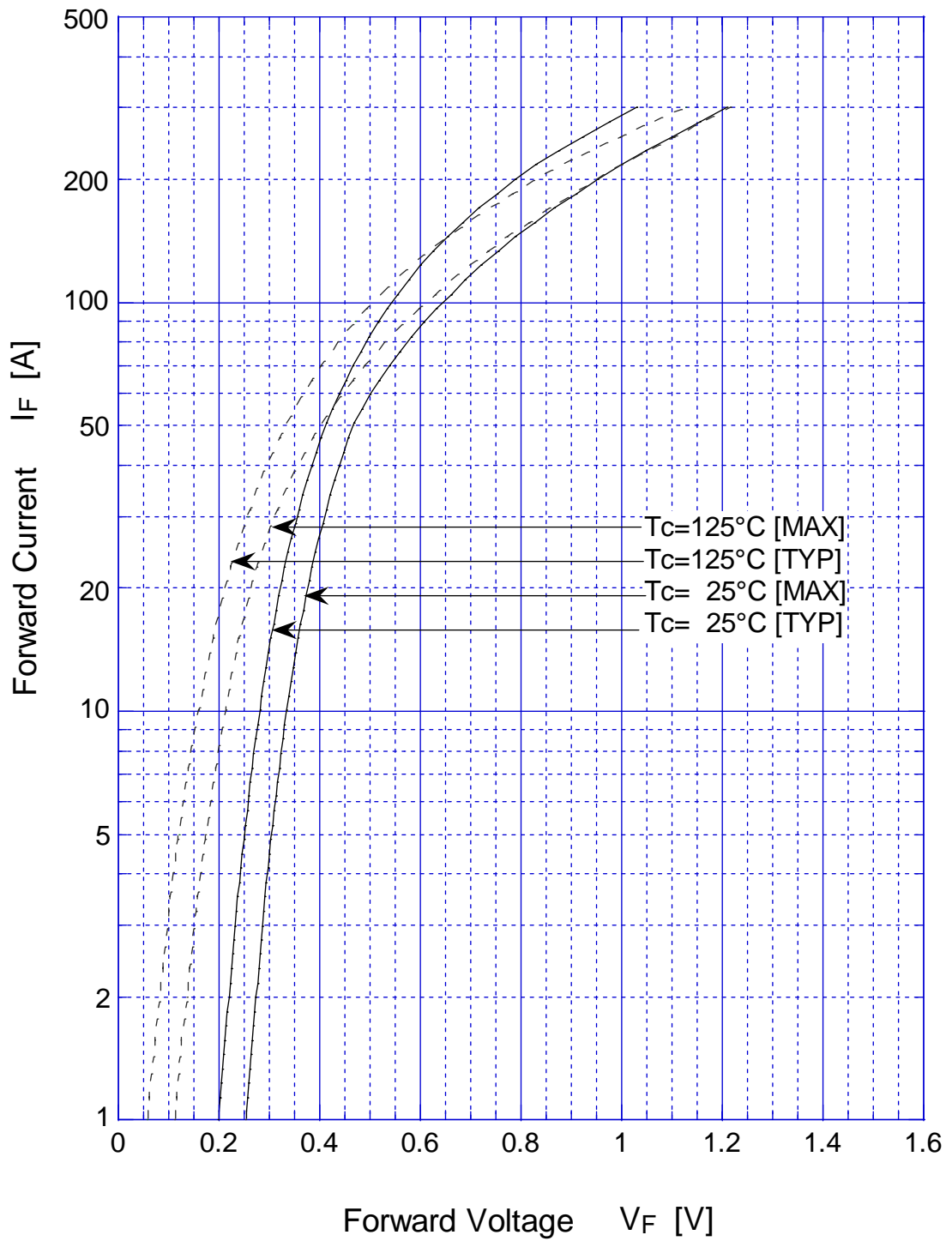
● Absolute Maximum Ratings (If not specified $T_c=25^\circ\text{C}$)

Item	Symbol	Conditions	Ratings	Unit
Storage Temperature	T_{stg}		-55~125	$^\circ\text{C}$
Operating Junction Temperature	T_j		125	$^\circ\text{C}$
Maximum Reverse Voltage	V_{RM}		15	V
Average Rectified Forward Current	I_O	50Hz sine wave, R-load, $T_c=89^\circ\text{C}$	30	A
Peak Surge Forward Current	I_{FSM}	50Hz sine wave, Non-repetitive 1 cycle peak value, $T_j=25^\circ\text{C}$	400	A
Dielectric Strength	V_{dis}	Terminals to case, AC 1 minute	2	kV
Mounting Torque	TOR	(Recommended torque : $0.3\text{N}\cdot\text{m}$)	0.5	$\text{N}\cdot\text{m}$

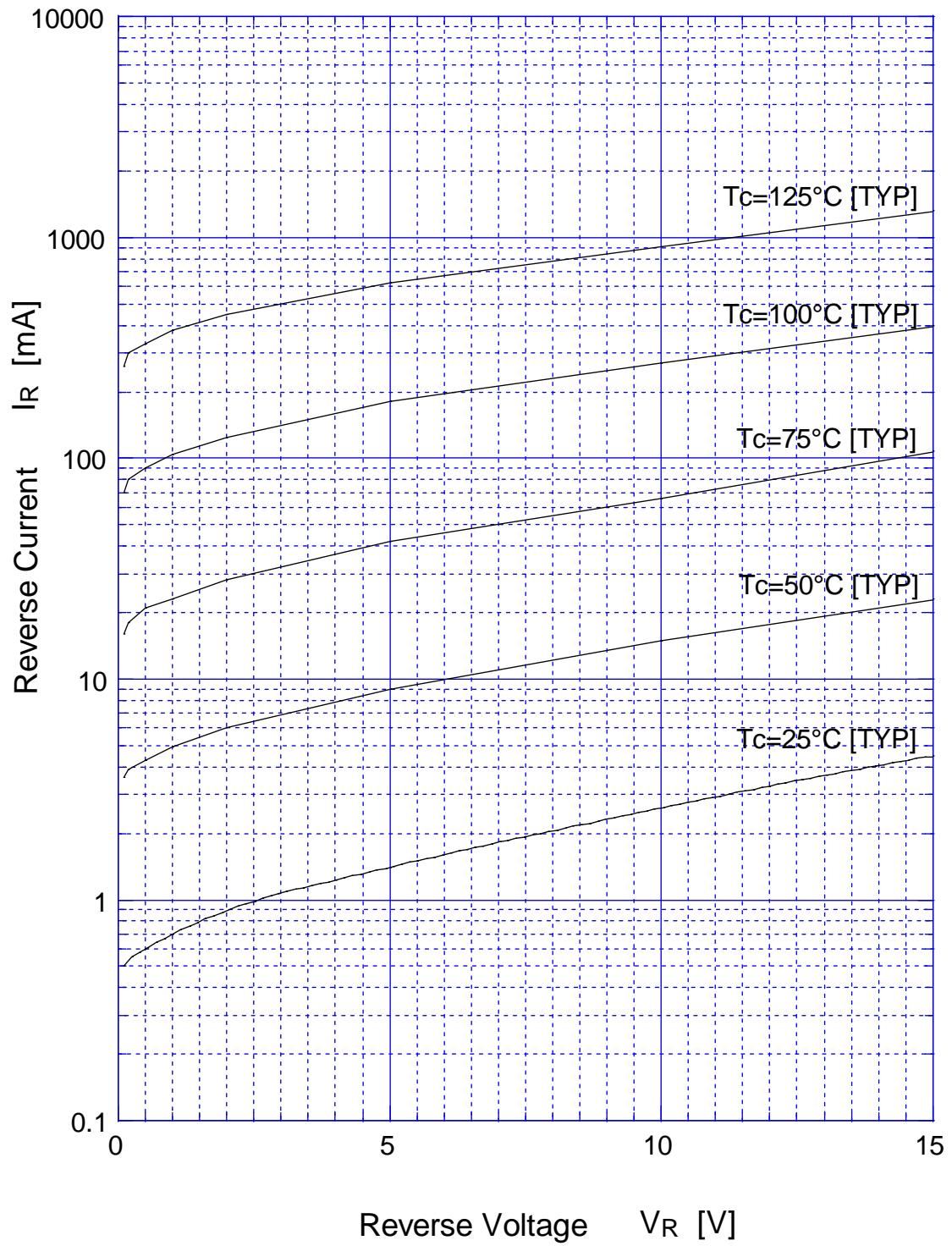
● Electrical Characteristics (If not specified $T_c=25^\circ\text{C}$)

Item	Symbol	Conditions	Ratings	Unit
Forward Voltage	V_F	$I_F=30\text{A}$, Pulse measurement	Max 0.41	V
Reverse Current	I_R	$V_R=V_{RM}$, Pulse measurement	Max 15	mA
Junction Capacitance	C_j	$f=1\text{MHz}$, $V_R=10\text{V}$	Typ 1400	pF
Thermal Resistance	θ_{jc}	junction to case	Max 2.0	$^\circ\text{C}/\text{W}$

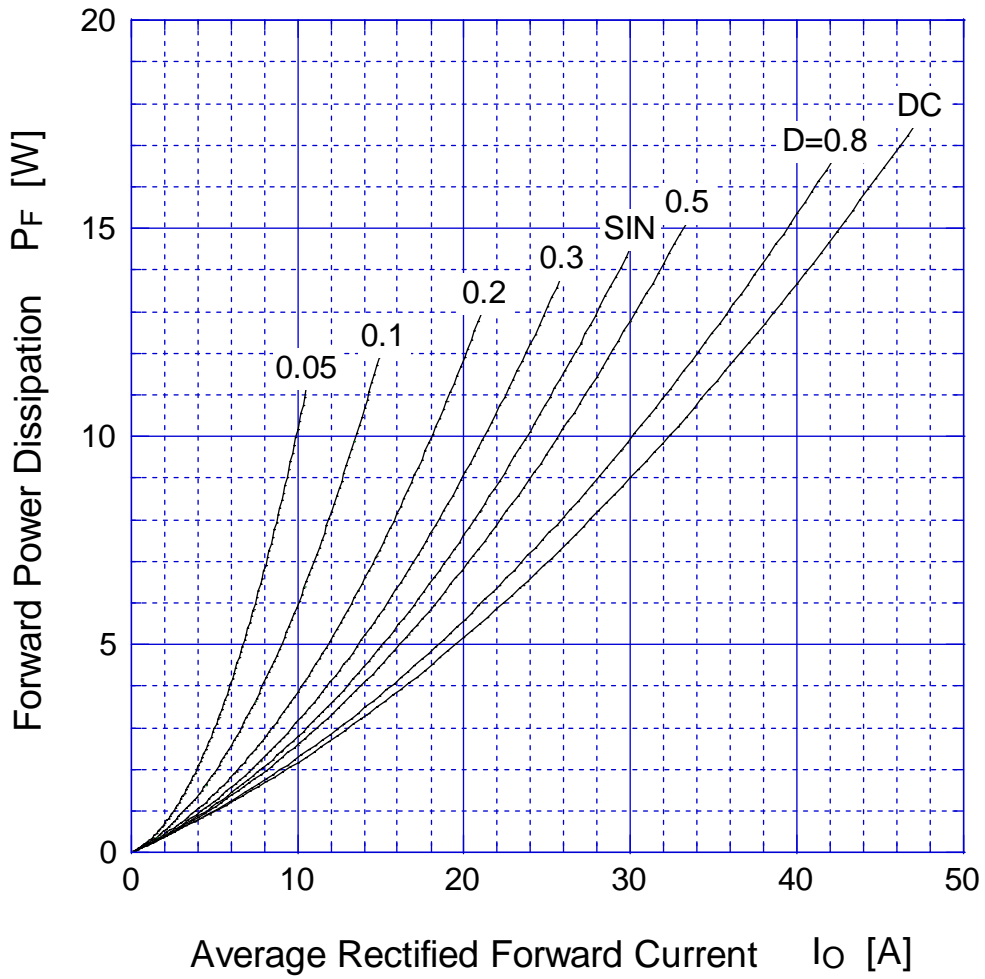
SF30H1R5 Forward Voltage



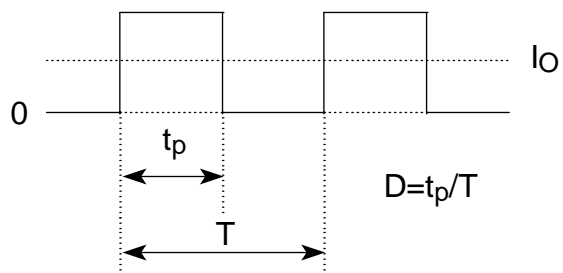
SF30H1R5 Reverse Current



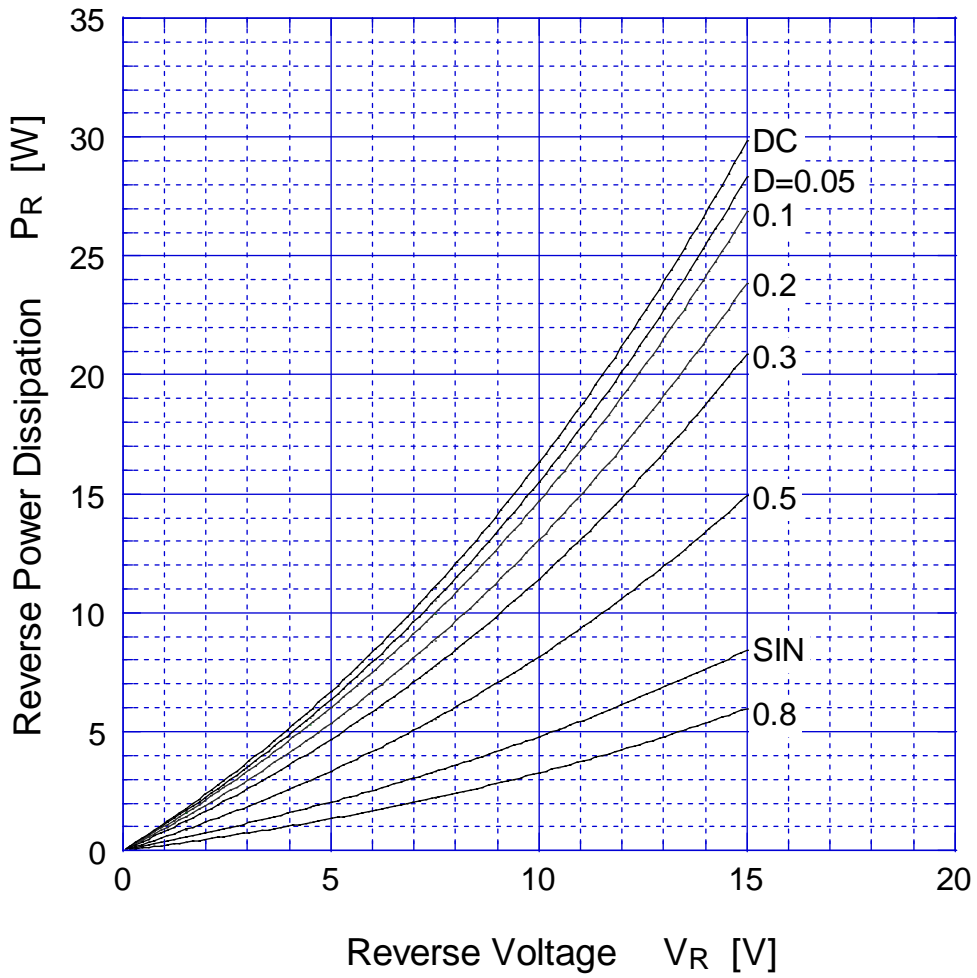
SF30H1R5 Forward Power Dissipation



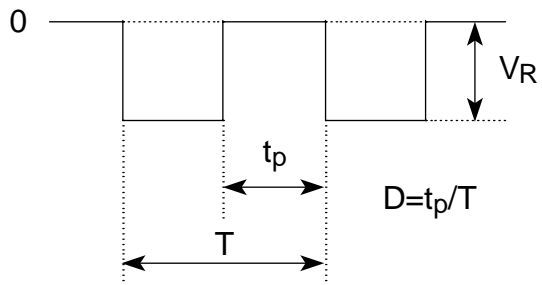
$T_j = 125^\circ\text{C}$



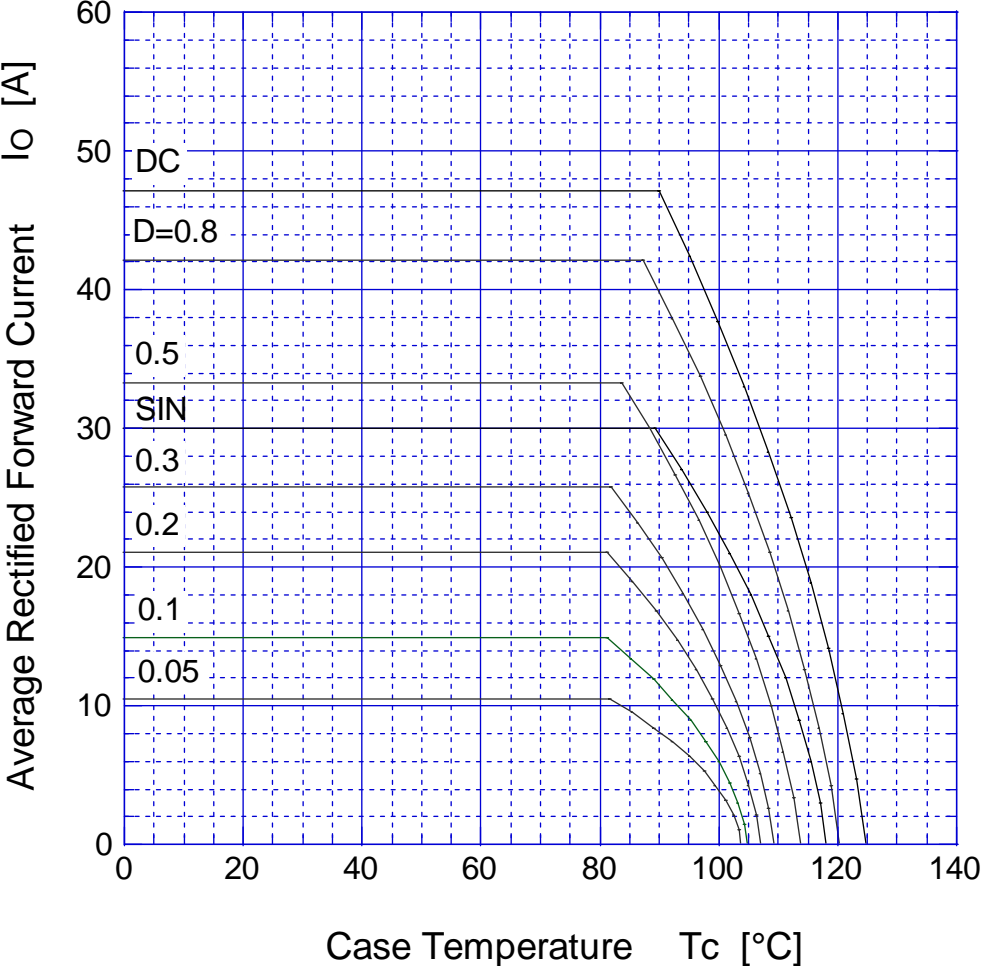
SF30H1R5 Reverse Power Dissipation



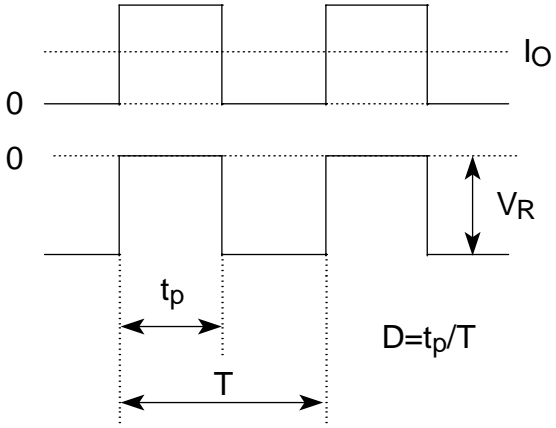
$T_j = 125^\circ\text{C}$



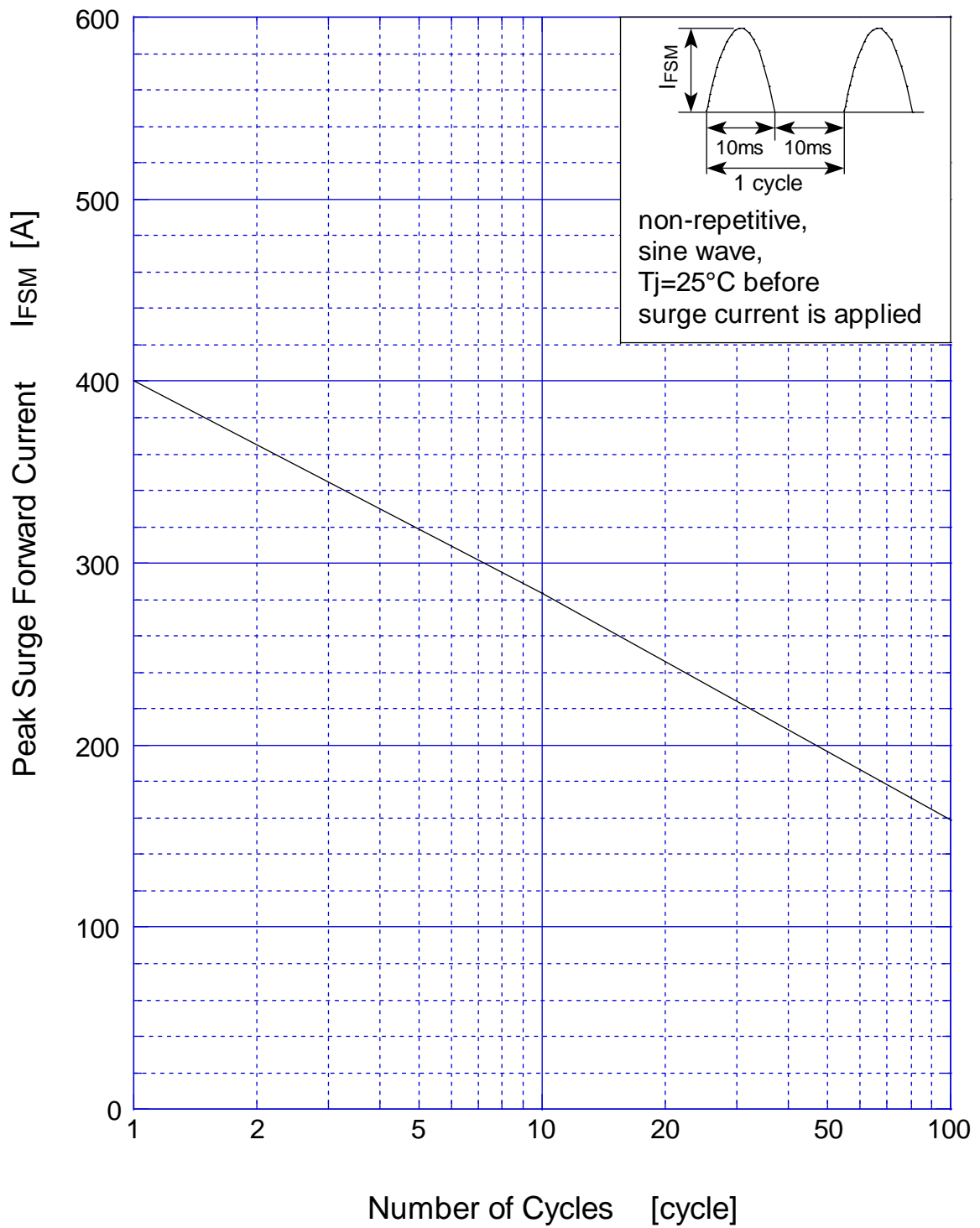
SF30H1R5 Derating Curve



$V_R = 7.5V$



SF30H1R5 Peak Surge Forward Capability



SF30H1R5 Junction Capacitance

