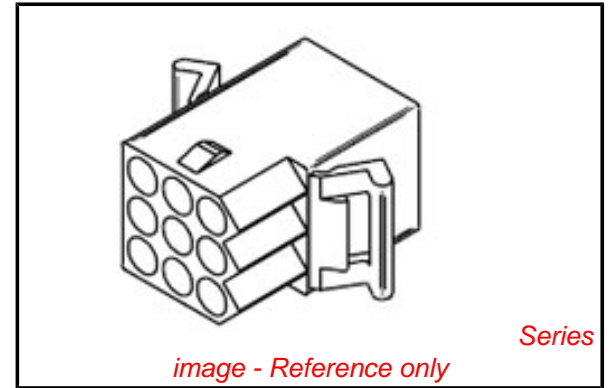


**PLEASE CHECK WWW.MOLEX.COM FOR LATEST PART INFORMATION**

**Part Number:** [0003091093](#)  
**Status:** **Active**  
**Overview:** [standard\\_093](#)  
**Description:** 2.36mm (.093") Diameter Standard .093 Pin and Socket Receptacle Housings, 9 Circuits, 3 Rows, without Panel Mount Ears, without Passive Lock Ramp

**Documents:**

|  |   |
|--|---|
| <a href="#">3D Model</a>                             | <a href="#">Product Specification PS-1292-001 (PDF)</a>   |
| <a href="#">Drawing (PDF)</a>                        | <a href="#">Product Specification PS-1292-002 (PDF)</a>   |
| <a href="#">Packaging Specification (PDF)</a>        | <a href="#">Product Specification PS-43660-9999 (PDF)</a> |
| <a href="#">Product Specification PS-02-09 (PDF)</a> | <a href="#">RoHS Certificate of Compliance (PDF)</a>      |



*image - Reference only*

**Agency Certification**

|     |         |
|-----|---------|
| CSA | LR19980 |
| UL  | E29179  |

**General**

|                |   |
|----------------|---|
| Product Family | Crimp Housings  |
| Series         | <a href="#">1292</a>  |
| Comments       | 14.0A max. can be achieved when housing is used with 42477 or 42478 terminals |
| Overview       | <a href="#">standard_093</a>  |
| Product Name   | Standard .093"  |

**Physical**

|                               |                 |
|-------------------------------|-----------------|
| Circuits (maximum)            | 9               |
| Color - Resin                 | Natural         |
| Flammability                  | 94V-2           |
| Gender                        | Dual            |
| Glow-Wire Compliant           | No              |
| Lock to Mating Part           | None            |
| Material - Resin              | Nylon           |
| Number of Rows                | 3               |
| Packaging Type                | Bag             |
| Panel Mount                   | No              |
| Pitch - Mating Interface (in) | 0.198 In        |
| Pitch - Mating Interface (mm) | 5.03 mm         |
| Stackable                     | No              |
| Temperature Range - Operating | -40°C to +105°C |

**Electrical**

|                               |     |
|-------------------------------|-----|
| Current - Maximum per Contact | 11A |
|-------------------------------|-----|

**Material Info**

|                 |         |
|-----------------|---------|
| Old Part Number | 1292-R2 |
|-----------------|---------|

**Reference - Drawing Numbers**

|                         |   |
|-------------------------|---|
| Packaging Specification | PK-1292-001                                       |
| Product Specification   | PS-02-09, PS-1292-001, PS-1292-002, PS-43660-9999 |
| Sales Drawing           | SD-1292-*   |

**EU RoHS**

**ELV and RoHS Compliant**  
**REACH SVHC**  
**Contains SVHC: No**  
**Halogen-Free Status**

**China RoHS**



**Halogen-Free**

**Need more information on product environmental compliance?**

Email [productcompliance@molex.com](mailto:productcompliance@molex.com)  
 For a multiple part number RoHS Certificate of Compliance, [click here](#)

Please visit the [Contact Us](#) section for any non-product compliance questions.

**Search Parts in this Series**

[1292Series](#)

**Mates With**

[3099](#) shrouded PCB connector, 1292p

**Use With**

[1189](#) Crimp Terminals, [1190](#) Crimp Terminals, [1376](#) Male PC Tail Terminals, [1377](#) Female PC Tail Terminals, [1380](#) Male Crimp Terminals, [1381](#) Female Crimp Terminals, [1433](#) Crimp Terminals, [1434](#) Male Crimp Terminals, [1973](#) , [2151](#) , [2273](#) , [2870](#) , [2871](#) , [4272](#) , [4550](#) , [6271](#) , [6310](#) , [42477](#) , [42478](#)



| PLUG       |           |
|------------|-----------|
| PART NO.   | ENG. NO.  |
| 03-09-2091 | I292-P    |
| 03-09-2092 | I292-PI   |
| 03-09-7091 | I292-PBK  |
| 03-09-7092 | I292-PIBK |
| NOT TOOLED | I292-P2   |
| 27-09-2092 | I292-PI-A |

| RECEPTACLE |           |
|------------|-----------|
| PART NO.   | ENG. NO.  |
| 03-09-1091 | I292-R    |
| 03-09-1092 | I292-RI   |
| 03-09-6091 | I292-RBK  |
| 03-09-6092 | I292-RIBK |
| 03-09-1093 | I292-R2   |
| 03-09-6093 | I292-R2BK |
| 03-09-1094 | I292-R3   |
| 03-09-6094 | I292-R3BK |
| 27-09-1093 | I292-R2-A |

LEGEND: PLUG

I292-P\*\*\*-\*

P = PLUG

BLANK = OPT. PLUG WITH PREBENT EARS

1 = STD. PLUG WITHOUT PREBENT EARS

2 = STD. PLUG WITH PREBENT EARS & RIBS

COLOR: BLANK=NATURAL COLOR

AM=AMBER BK=BLACK BU=BLUE

BN=BROWN GY=GRAY GN=GREEN

OR=ORANGE RD=RED YW=YELLOW

MATERIAL: BLANK = NYLON 6/6, U.L. 94V-2

A = NYLON 6/6, U.L. 94V-0

LEGEND: RECEPTACLE

I292-R\*\*\*-\*

R = RECEPTACLE

BLANK = WITH PREBENT EARS, WITH LOCK RAMP

1 = WITH PREBENT EARS, WITHOUT LOCK RAMP

2 = WITHOUT EARS, WITHOUT LOCK RAMP

3 = WITHOUT EARS, WITH LOCK RAMP

COLOR: BLANK=NATURAL COLOR

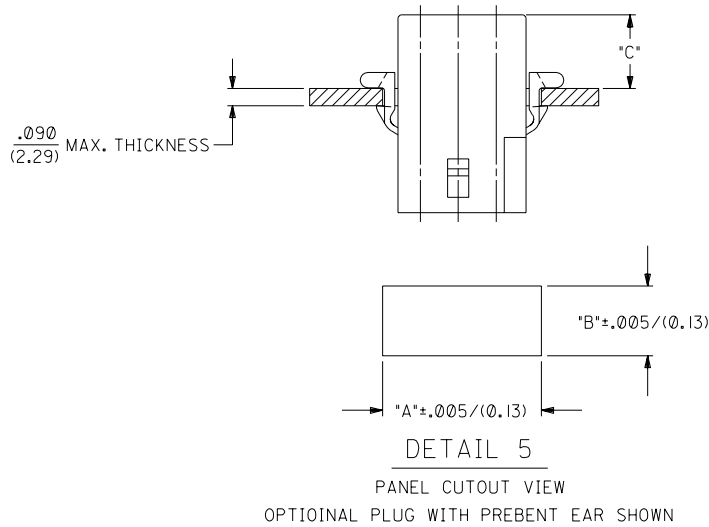
AM=AMBER BK=BLACK BU=BLUE

BN=BROWN GY=GRAY GN=GREEN

OR=ORANGE RD=RED YW=YELLOW

MATERIAL: BLANK = NYLON 6/6, U.L. 94V-2

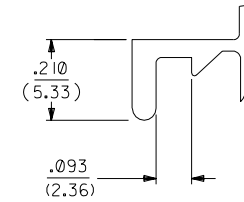
A = NYLON 6/6, U.L. 94V-0



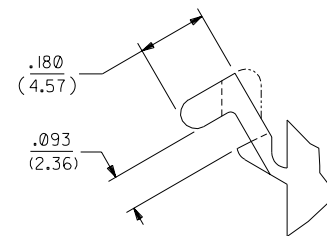
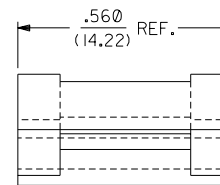
| HOUSING    | DIM. "A"     | DIM. "B"     | DIM. "C" (STD. EAR) | DIM. "C" (PREBENT) |
|------------|--------------|--------------|---------------------|--------------------|
| STD. PLUG  | .930/(23.62) | .760/(19.30) | N/A                 | .39/(9.9)          |
| OPT. PLUG  | .937/(23.80) | .660/(16.76) | .13/(3.3)           | N/A                |
| RECEPTACLE | .828/(21.03) | .725/(18.42) | .37/(9.4)           | .41/(10.4)         |

NOTES:

- 1 THESE PARTS COMPLY WITH MOLEX PRODUCT SPEC. 02-09.
- 2 HOUSINGS FOR USE WITH MOLEX .093/(2.36) PIN AND SOCKET TERMINALS.
- 3 RIBS ARE PRESENT ONLY ON STANDARD PLUG WITH PREBENT MOUNTING EARS. FOR PLUG HOUSINGS REQUIRING MOUNTING EARS, ONLY PREBENT STYLE IS AVAILABLE.



DETAIL 3  
.093/(2.36) STANDARD MOUNTING EAR  
(SCALE 4:1)



DETAIL 4  
.093/(2.36) PREBENT MOUNTING EAR  
(SCALE 4:1)

|  |               |   |                 |
|--|---------------|---|-----------------|
| DIMENSIONS SHOWN (METRIC) INCH<br>UNLESS OTHERWISE SPECIFIED<br>TOLERANCES: ANGULAR $\pm .002$ |               | REVISE ONLY ON CAD SYSTEM   |                 |
| 3 PLACE $\pm .010$ ---   |               | TITLE<br>.093/(2.36) HOUSING,<br>PLUG AND RECEPTACLE,<br>9 CKT. $\pm .198/(5.03)$ CTRS.                               |                 |
| 2 PLACE $\pm .014$ $\pm 0.25$  |               | MOLEX INCORPORATED SHEET NO. DATE<br>U.S.A. 4 2/18/89   |                 |
| 1 PLACE --- $\pm 0.35$   |               | PART NO. DRWG. NO.<br>SD-1292-*   |                 |
| DRAFT WHERE APPLICABLE MUST<br>REMAIN WITHIN DIMENSIONS  |               | SEE CHART   |                 |
| DRWG. BY: GEP  | CHK'D. BY: RW | FILE NAME: 51292X4  | DIV. SIZE: CP C |
| APP'D. BY: RAS   | SCALE: 2:1    | THIS DRAWING CONTAINS INFORMATION THAT IS PROPRIETARY TO MOLEX INC. AND SHOULD NOT BE USED WITHOUT WRITTEN PERMISSION |                 |

| LTR. | REVISIONS | LTR.       | REVISIONS |
|------|-----------|------------|-----------|
|      | T         | SEE SHT. I |           |
|      | S2        | SEE SHT. I |           |
|      | S1        | SEE SHT. I |           |
|      | S         | SEE SHT. I |           |
|      | R         | SEE SHT. I |           |