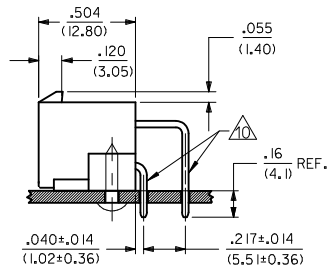
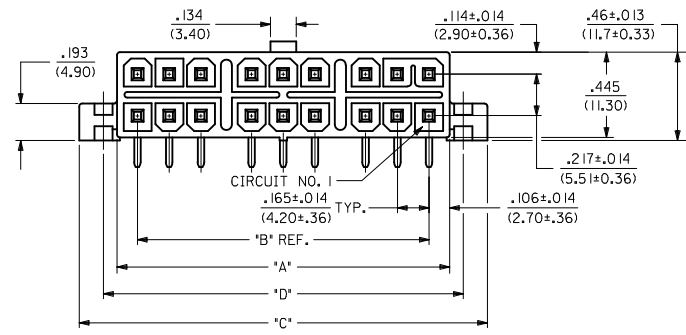
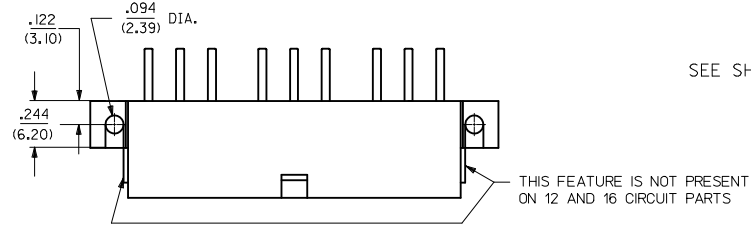
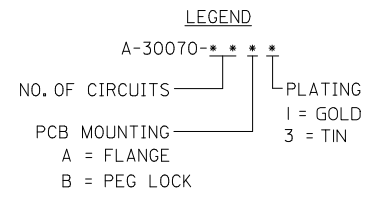


OPTION A FLANGE MOUNT

SEE SHT. 2 FOR ADDITIONAL INFORMATION

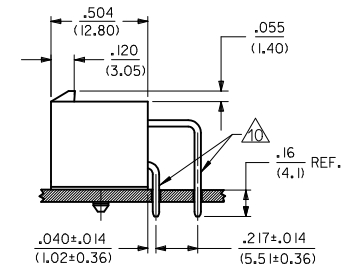
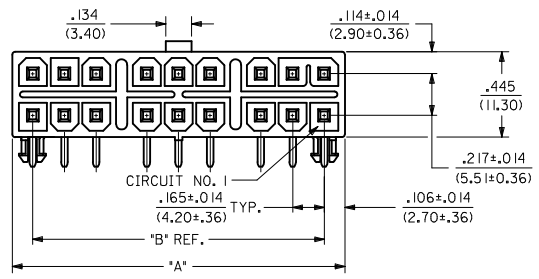
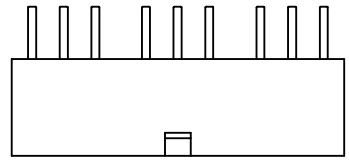


- NOTES:
- MATERIALS:
HOUSING: POLYESTER, UNFILLED, UL94 V-0, COLOR: BLACK
PINS: BRASS
 - PLATING:
1=.000030/(0.00076) MIN. SELECT GOLD AND .000100/(0.00254) MIN. SELECT MATTE TIN OVER .000050/(0.00127) MIN. NICKEL OVERALL
3=.000100/(0.00254) MIN. MATTE TIN OVER .000050/(0.00127) MIN. NICKEL
 - PRODUCT SPECIFICATION: PS-5556-003
 - PACKAGING: BULK PACKAGING
 - MATES WITH TPA RECEPTACLE NO. 30067-*
 - PARTS ARE NOT DESIGNED TO BE MATED OR UNMATED WHILE CIRCUITS ARE LIVE.
 - PART IS NOT DESIGNED FOR CURRENT SHARING.
 - PART CONFORMS TO CLASS 'B' REQUIREMENTS OF COSMETIC SPECIFICATION PS-45499-002.
 - DISCOLORATION IN THE BANDOLIER CARRIER AREA OF THE PIN IS INHERENT TO THE PLATING PROCESS AND IS DUE TO THE MASKING EFFECT OF THE CARRIER. THIS DISCOLORATION IS IN A NON-FUNCTIONAL AREA OF THE PIN AND WILL NOT AFFECT THE PERFORMANCE OF THE HEADER ASSEMBLY.
- FORMING MARKS ARE ACCEPTABLE



OPTION B PEG MOUNT

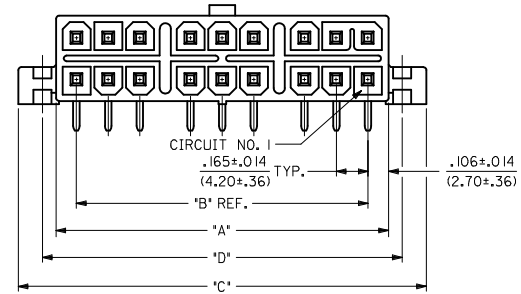
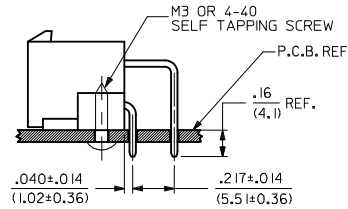
SEE SHT. 3 FOR ADDITIONAL INFORMATION



CHANGE PLATING EC NO: UCP2012-1560 DRW: NGUYEN 2012/01/18 CHKD: JELL 2012/01/18 APPR: FSMITH 2012/02/02	QUALITY SYMBOLS ▽=0 ▽=0 ▽=0	GENERAL TOLERANCES (UNLESS SPECIFIED)	DIMENSION STYLE IN/MM	SCALE 2:1	DESIGN UNITS METRIC	THIRD ANGLE PROJECTION
		4 PLACES ± --- ± --- 3 PLACES ± --- ± .01 2 PLACES ± 0.25 ± .014 1 PLACE ± 0.36 ± --- ANGULAR ± 1/2°	DRAWN BY DMF DATE 1990/6/15	CHECKED BY JRT DATE 1990/6/15	APPROVED BY FSMITH DATE 2011/09/12	MINI-FIT T.P.A. RIGHT ANGLE HEADER ASSEMBLY
DRAFT WHERE APPLICABLE MUST REMAIN WITHIN DIMENSIONS	SEE CHART	MATERIAL NO. DOCUMENT NO.		MOLEX INCORPORATED		
		THIS DRAWING CONTAINS INFORMATION THAT IS PROPRIETARY TO MOLEX INCORPORATED AND SHOULD NOT BE USED WITHOUT WRITTEN PERMISSION		SDA-30070-****		
				SHEET NO. 1 OF 4		

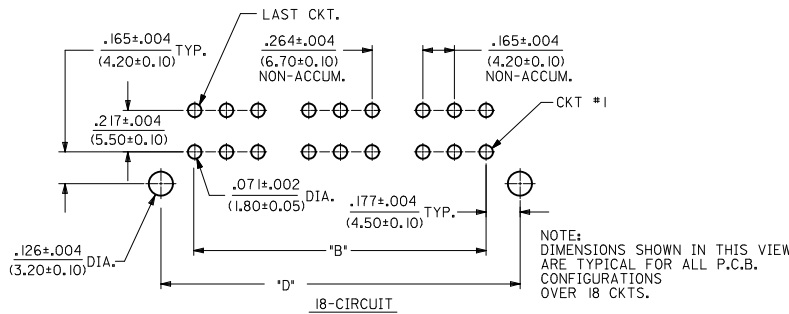
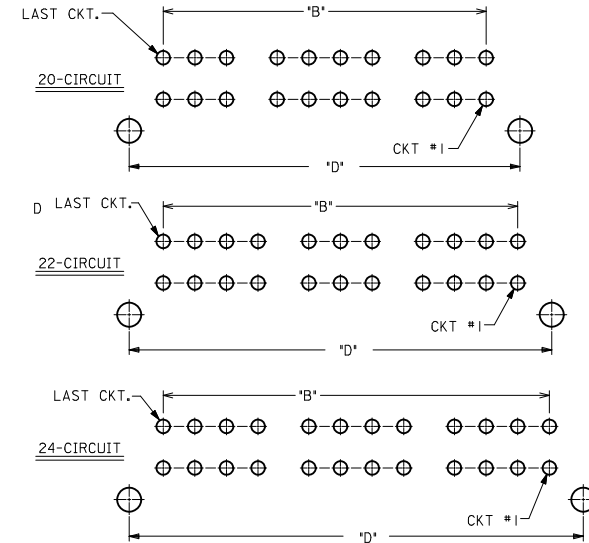
FLANGE MOUNT OPTION

CKT. SIZE	ENG. NO.	DIM. 'A'	DIM. 'B'	DIM. 'C'	DIM. 'D'
2	30070-02A*	.213 (5.40)	—	.606 (15.40)	.354 (9.00)
4	30070-04A*	.378 (9.60)	.165 (4.20)	.772 (19.60)	.520 (13.20)
6	30070-06A*	.543 (13.80)	.331 (8.40)	.937 (23.80)	.685 (17.40)
8	30070-08A*	.709 (18.00)	.496 (12.60)	1.102 (28.00)	.850 (21.60)
10	30070-10A*	.874 (22.20)	.661 (16.80)	1.268 (32.20)	1.016 (25.80)
12	30070-12A*	1.039 (26.40)	.827 (21.00)	1.433 (36.40)	1.181 (30.00)
14	30070-14A*	1.205 (30.60)	.992 (25.20)	1.598 (40.60)	1.346 (34.20)
16	30070-16A*	1.370 (34.80)	1.157 (29.40)	1.764 (44.80)	1.512 (38.40)
18	30070-18A*	1.732 (44.00)	1.520 (38.60)	2.126 (54.00)	1.874 (47.60)
20	30070-20A*	1.898 (48.20)	1.685 (42.80)	2.291 (58.20)	2.039 (51.80)
22	30070-22A*	2.063 (52.40)	1.850 (47.00)	2.457 (62.40)	2.205 (56.00)
24	30070-24A*	2.228 (56.60)	2.016 (51.20)	2.622 (66.60)	2.370 (60.20)

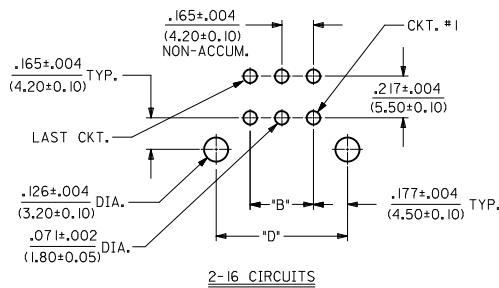


OPTION "A"
FLANGE MOUNT

RECOMMENDED P.C.BOARD LAYOUT
FOR .070/(1.78) MAX. THICK P.C. BOAR
VIEWED FROM COMPONENT
SIDE OF BOARD

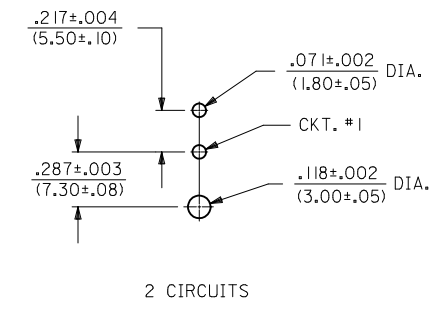
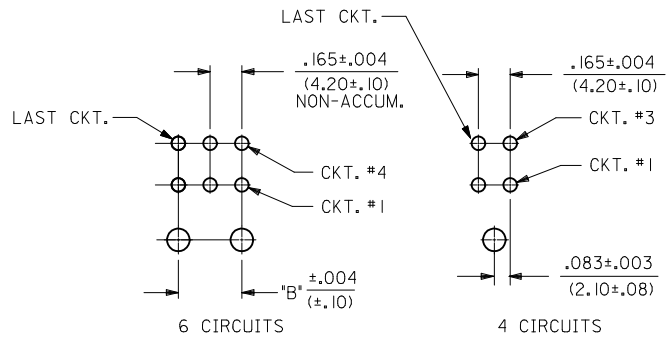
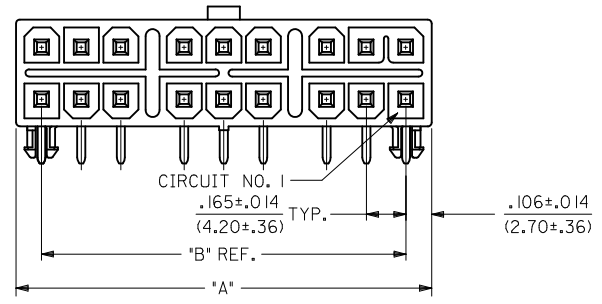
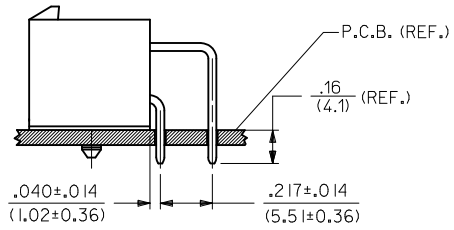


NOTE:
DIMENSIONS SHOWN IN THIS VIEW
ARE TYPICAL FOR ALL P.C.B.
CONFIGURATIONS
OVER 18 CKTS.



SEE SHEET 1 EC NO: UCP2012-1560 DRAWING: NGUYEN 2012/01/18 CHKD: J.BELL 2012/01/18 APPR: F.SMITH 2012/02/02	QUALITY SYMBOLS ▽=0 ▽=0 ▽=0	GENERAL TOLERANCES (UNLESS SPECIFIED)		DIMENSION STYLE IN/MM		SCALE 2:1	DESIGN UNITS METRIC	THIRD ANGLE PROJECTION	
		4 PLACES ± --- ± ---	3 PLACES ± --- ± .01	2 PLACES ± 0.25 ± .014	1 PLACE ± 0.36 ± ---	DRAWN BY DMF	DATE 1990/6/15	CHECKED BY JRT	DATE 1990/6/15
DRAFT WHERE APPLICABLE MUST REMAIN WITHIN DIMENSIONS		SEE CHART		MATERIAL NO.		DOCUMENT NO.		SHEET NO.	
				ANGULAR ±1/2°		MOLEX		MINI-FIT T.P.A. RIGHT ANGLE HEADER ASSEMBLY MOLEX INCORPORATED	
						SDA-30070-****		2 OF 4	
THIS DRAWING CONTAINS INFORMATION THAT IS PROPRIETARY TO MOLEX INCORPORATED AND SHOULD NOT BE USED WITHOUT WRITTEN PERMISSION									

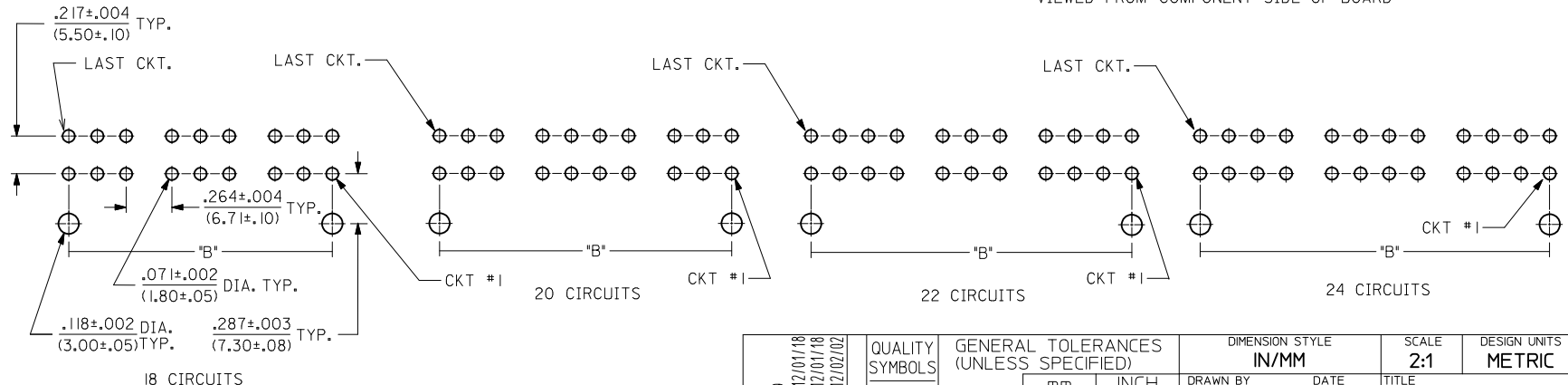
PEG MOUNT OPTION			
CKT. SIZE	ENG. NO.	DIM. 'A'	DIM. 'B'
2	A30070-02B*	.213 (5.40)	—
4	A30070-04B*	.378 (9.60)	.165 (4.20)
6	A30070-06B*	.543 (13.80)	.331 (8.40)
8	A30070-08B*	.709 (18.00)	.496 (12.60)
10	A30070-10B*	.874 (22.20)	.661 (16.80)
12	A30070-12B*	1.039 (26.40)	.827 (21.00)
14	A30070-14B*	1.205 (30.60)	.992 (25.20)
16	A30070-16B*	1.370 (34.80)	1.157 (29.40)
18	A30070-18B*	1.732 (44.00)	1.520 (38.60)
20	A30070-20B*	1.898 (48.20)	1.685 (42.80)
22	A30070-22B*	2.063 (52.40)	1.850 (47.00)
24	A30070-24B*	2.228 (56.60)	2.016 (51.20)



NOTE:
DIMENSIONS SHOWN IN THIS
VIEW ARE TYPICAL FOR ALL
P.C.B. CONFIGURATIONS FROM
6-16 CIRCUITS.

OPTION "B" PEG MOUNT

RECOMMENDED HOLE LAYOUT FOR .070/(1.78) MAX. P.C.BOARD
VIEWED FROM COMPONENT SIDE OF BOARD



NOTE:
DIMENSIONS SHOWN IN THIS VIEW ARE
TYPICAL FOR ALL P.C.B. CONFIGURATIONS
OVER 18 CKTS.

SEE SHEET 1 EC NO: UCP2012-1560 DRAWN: NGUYEN 2012/01/18 CHKD: J.BELL 2012/01/18 APPR: FSMITH 2012/02/02	QUALITY SYMBOLS ▽=0 ▽=0 ▽=0	GENERAL TOLERANCES (UNLESS SPECIFIED)		DIMENSION STYLE IN/MM		SCALE 2:1	DESIGN UNITS METRIC	THIRD ANGLE PROJECTION	
		4 PLACES ± .01	3 PLACES ± .01	2 PLACES ± 0.25	1 PLACE ± 0.36	DRAWN BY DMF	DATE 1990/6/15	MINI-FIT T.P.A. RIGHT ANGLE HEADER ASSEMBLY	
DRAFT WHERE APPLICABLE MUST REMAIN WITHIN DIMENSIONS		ANGULAR ±1/2°		APPROVED BY FSMITH		DATE 2011/09/12	MOLEX INCORPORATED		
MATERIAL NO.		DOCUMENT NO.		SHEET NO.		SDA-30070-****			
THIS DRAWING CONTAINS INFORMATION THAT IS PROPRIETARY TO MOLEX INCORPORATED AND SHOULD NOT BE USED WITHOUT WRITTEN PERMISSION									

13		12		11		10		9		8		7		6		5		4		3		2		1						
PART NUMBER	ENG. NUMBER	CKT. SIZE	MTG. OPT.	PLATING	HSG. MAT'L.	PART NUMBER	ENG. NUMBER	CKT. SIZE	MTG. OPT.	PLATING	HSG. MAT'L.	PART NUMBER	ENG. NUMBER	CKT. SIZE	MTG. OPT.	PLATING	HSG. MAT'L.	PART NUMBER	ENG. NUMBER	CKT. SIZE	MTG. OPT.	PLATING	HSG. MAT'L.	PART NUMBER	ENG. NUMBER	CKT. SIZE	MTG. OPT.	PLATING	HSG. MAT'L.	
15-97-8022	A-30070-02A3	2	FLNG	TIN	94V-0	NO E.D.P.		2				15-97-8023	A-30070-02B3	2	PEGS	TIN	94V-0			2										
15-97-8042	A-30070-04A3	4	↑	↑	↑	↑		4	↑	↑	↑	15-97-8043	A-30070-04B3	4	↑	↑	↑			4	↑	↑	↑			4	↑	↑	↑	
15-97-8062	A-30070-06A3	6						6				REL TO MFG	A-30070-06B3	6						6						6				
15-97-8082	A-30070-08A3	8						8				↑	A-30070-08B3	8						8						8				
15-97-8102	A-30070-10A3	10						10				↓	A-30070-10B3	10						10						10				
15-97-8122	A-30070-12A3	12						12				↓	A-30070-12B3	12						12						12				
REL TO MFG	A-30070-14A3	14						14				↓	A-30070-14B3	14						14						14				
15-97-8162	A-30070-16A3	16						16				REL TO MFG	A-30070-16B3	16						16						16				
NO E.D.P.	A-30070-18A3	18						18				NO E.D.P.	A-30070-18B3	18						18						18				
NO E.D.P.	A-30070-20A3	20						20				NO E.D.P.	A-30070-20B3	20						20						20				
NO E.D.P.	A-30070-22A3	22	↓	↓	↓	↓		22	↓	↓	↓	NO E.D.P.	A-30070-22B3	22	↓	↓	↓	↓		22	↓	↓	↓	↓		22	↓	↓	↓	↓
NO E.D.P.	A-30070-24A3	24	FLNG	TIN	94V-0	NO E.D.P.		24				NO E.D.P.	A-30070-24B3	24	PEGS	TIN	94V-0			24						24				
PART NUMBER	ENG. NUMBER	CKT. SIZE	MTG. OPT.	PLATING	HSG. MAT'L.	PART NUMBER	ENG. NUMBER	CKT. SIZE	MTG. OPT.	PLATING	HSG. MAT'L.	PART NUMBER	ENG. NUMBER	CKT. SIZE	MTG. OPT.	PLATING	HSG. MAT'L.	PART NUMBER	ENG. NUMBER	CKT. SIZE	MTG. OPT.	PLATING	HSG. MAT'L.	PART NUMBER	ENG. NUMBER	CKT. SIZE	MTG. OPT.	PLATING	HSG. MAT'L.	
15-97-8027	A-30070-02A1	2	FLNG	GOLD	94V-0			2				15-97-8028	A-30070-02B1	2	PEGS	GOLD	94V-0			2						2				
15-97-8047	A-30070-04A1	4	↑	↑	↑			4	↑	↑	↑	15-97-8048	A-30070-04B1	4	↑	↑	↑			4	↑	↑	↑			4	↑	↑	↑	↑
15-97-8067	A-30070-06A1	6						6				REL TO MFG	A-30070-06B1	6						6						6				
15-97-8087	A-30070-08A1	8						8				↑	A-30070-08B1	8						8						8				
15-97-8107	A-30070-10A1	10						10				↓	A-30070-10B1	10						10						10				
15-97-8127	A-30070-12A1	12						12				↓	A-30070-12B1	12						12						12				
REL TO MFG	A-30070-14A1	14						14				↓	A-30070-14B1	14						14						14				
15-97-8167	A-30070-16A1	16						16				REL TO MFG	A-30070-16B1	16						16						16				
NO E.D.P.	A-30070-18A1	18						18				NO E.D.P.	A-30070-18B1	18						18						18				
NO E.D.P.	A-30070-20A1	20						20				NO E.D.P.	A-30070-20B1	20						20						20				
NO E.D.P.	A-30070-22A1	22	↓	↓	↓	↓		22	↓	↓	↓	NO E.D.P.	A-30070-22B1	22	↓	↓	↓	↓		22	↓	↓	↓	↓		22	↓	↓	↓	↓
NO E.D.P.	A-30070-24A1	24	FLNG	GOLD	94V-0			24				NO E.D.P.	A-30070-24B1	24	PEGS	GOLD	94V-0			24						24				

SEE SHEET 1 EC NO: UCP2012-1560 DRAWING: NGUYEN 2012/01/18 CHKD: BELLE 2012/01/18 APPR: FSMITH 2012/02/02	QUALITY SYMBOLS 	GENERAL TOLERANCES (UNLESS SPECIFIED)		DIMENSION STYLE IN/MM		SCALE 1:1	DESIGN UNITS METRIC	THIRD ANGLE PROJECTION		
		4 PLACES ± --- ± ---	3 PLACES ± --- ± .01	DRAWN BY DMF	DATE 1990/6/15	MINI-FIT T.P.A. RIGHT ANGLE HEADER ASSEMBLY				
		2 PLACES ± 0.25 ± .014	1 PLACE ± 0.36 ± ---	CHECKED BY JRT	DATE 1990/6/15					
		ANGULAR ± 1/2°		APPROVED BY FSMITH		DATE 2011/09/12	MOLEX INCORPORATED		MATERIAL NO. SEE CHART	DOCUMENT NO. SDA-30070-****
DRAFT WHERE APPLICABLE MUST REMAIN WITHIN DIMENSIONS				THIS DRAWING CONTAINS INFORMATION THAT IS PROPRIETARY TO MOLEX INCORPORATED AND SHOULD NOT BE USED WITHOUT WRITTEN PERMISSION						