

Silicon PNP Power Transistors

2SA1094

DESCRIPTION

- With MT-200 package
- Complement to type 2SC2564

APPLICATIONS

- For power amplifier applications

PINNING(see Fig.2)

PIN	DESCRIPTION
1	Base
2	Collector;connected to mounting base
3	Emitter

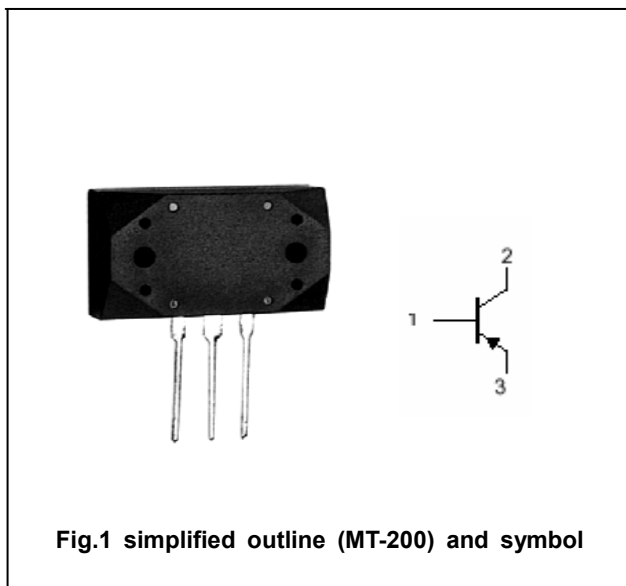


Fig.1 simplified outline (MT-200) and symbol

Absolute maximum ratings(Ta=25°C)

SYMBOL	PARAMETER	CONDITIONS	VALUE	UNIT
V _{CBO}	Collector-base voltage	Open emitter	-140	V
V _{CEO}	Collector-emitter voltage	Open base	-140	V
V _{EBO}	Emitter-base voltage	Open collector	-5	V
I _C	Collector current		-12	A
I _B	Base current		-1.2	A
P _C	Collector power dissipation	T _C =25°C	120	W
T _j	Junction temperature		150	°C
T _{stg}	Storage temperature		-55~150	°C

Silicon PNP Power Transistors

2SA1094

CHARACTERISTICS

T_j=25 °C unless otherwise specified

SYMBOL	PARAMETER	CONDITIONS	MIN	TYP.	MAX	UNIT
V _{(BR)CEO}	Collector-emitter breakdown voltage	I _C =-0.1A ; I _B =0	-140			V
V _{(BR)EBO}	Emitter-base breakdown voltage	I _E =-0.01A ; I _C =0	-5			V
V _{CEsat}	Collector-emitter saturation voltage	I _C =-5A ; I _B =-0.5A			-2.0	V
V _{BE}	Base-emitter on voltage	I _C =-5A ; V _{CE} =-5V			-2.0	V
I _{CBO}	Collector cut-off current	V _{CB} =-140V ; I _E =0			-50	μA
I _{EBO}	Emitter cut-off current	V _{EB} =-5V ; I _C =0			-50	μA
h _{FE-1}	DC current gain	I _C =-1A ; V _{CE} =-5V	55		240	
h _{FE-2}	DC current gain	I _C =-5A ; V _{CE} =-5V	30			
C _{ob}	Output capacitance	I _E =0 ; V _{CB} =-10V ; f=1MHz		220		pF
f _T	Transition frequency	I _C =-1A ; V _{CE} =-10V		70		MHz

◆ h_{FE-1} classifications

R	O	Y
55-110	80-160	120-240

Silicon PNP Power Transistors

2SA1094

PACKAGE OUTLINE

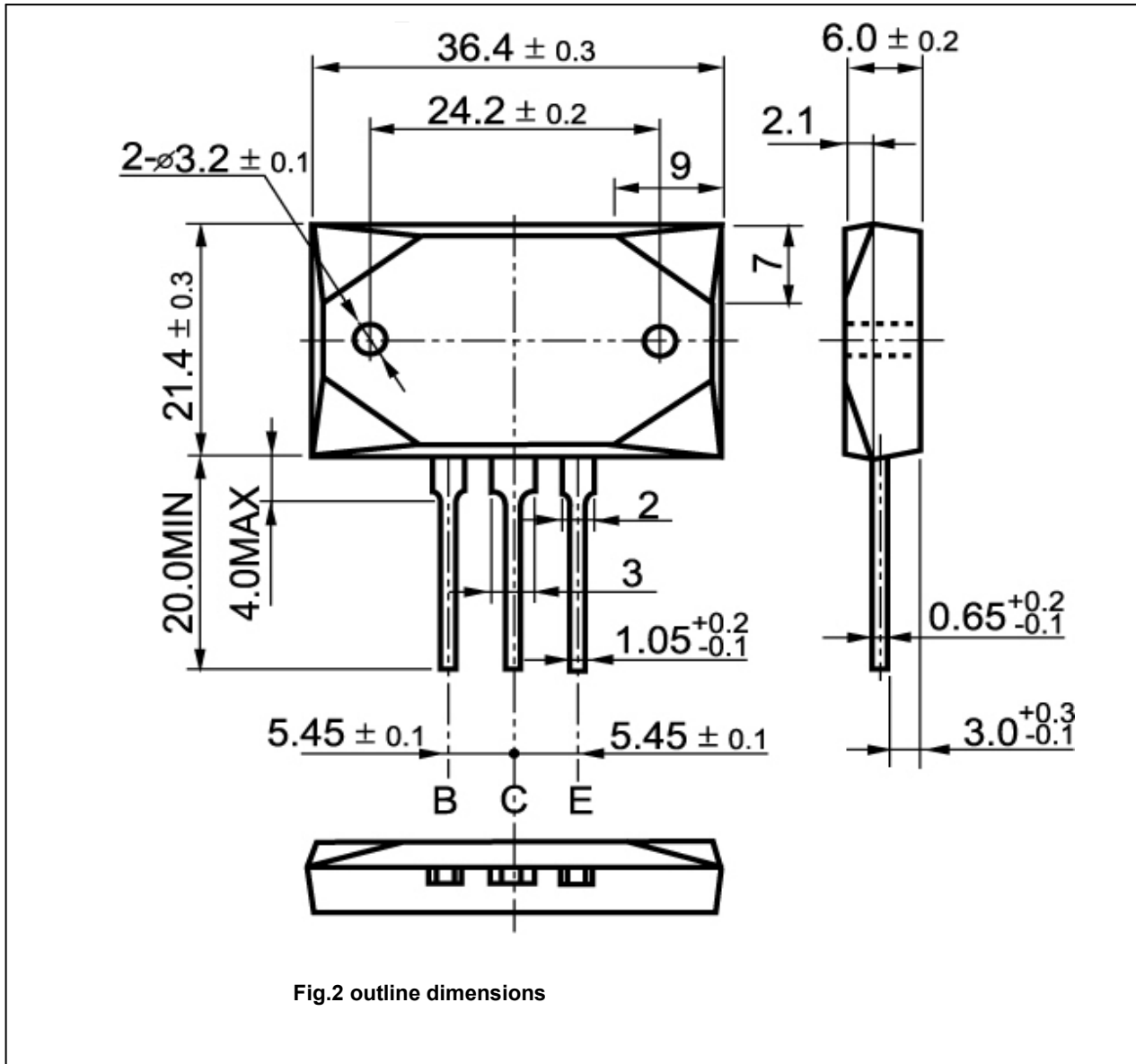


Fig.2 outline dimensions