

PLEASE CHECK WWW.MOLEX.COM FOR LATEST PART INFORMATION

Part Number: **0546977003**
Status: **Active**
Description: 0.80mm (.031") Pitch S.O. DIMM Socket, Right Angle, Surface Mount, 4.00mm (.157") Mounted Height, 144 Circuits, 3.3V Power Supply, Hard Tray Packaging, Height 11.00mm (.433") Type, Lead-free

Documents:

[3D Model](#) [Product Specification PS-54697-003 \(PDF\)](#)
[Drawing \(PDF\)](#) [RoHS Certificate of Compliance \(PDF\)](#)

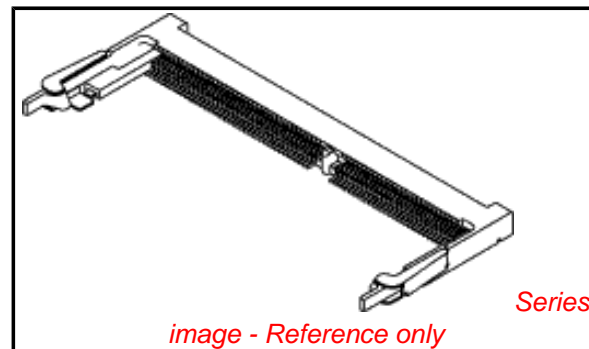


image - Reference only

General

Product Family	Memory Module Sockets
Series	54697
Comments	3.3V Power Supply
Component Type	Memory Module
JEDEC Outline	N/A
Product Name	S.O. DIMM

Physical

Circuits (Loaded)	144
Color - Resin	Natural
Durability (mating cycles max)	30
Entry Angle	90° Angle (Side Entry)
Keying to Mating Part	Yes
Material - Metal	Brass, Phosphor Bronze
Material - Plating Mating	Gold
Material - Plating Termination	Tin
Material - Resin	High Temperature Thermoplastic
PCB Retention	Yes
PCB Thickness Recommended (in)	0.045 In
PCB Thickness Recommended (mm)	1.20 mm
Packaging Type	Tray
Pitch - Mating Interface (in)	0.031 In
Pitch - Mating Interface (mm)	0.80 mm
Plating min: Mating (µin)	10
Plating min: Mating (µm)	0.25
Plating min: Termination (µin)	40
Plating min: Termination (µm)	1
Temperature Range - Operating	-55°C to +85°C
Termination Interface: Style	Surface Mount

Electrical

Current - Maximum per Contact	0.3A
Voltage - Maximum	100V
Voltage Key	3.3V

Material Info

Reference - Drawing Numbers

Product Specification	PS-54697-003, RPS-54697-006
Sales Drawing	SD-54697-004

EU RoHS

**ELV and RoHS
Compliant**
**REACH SVHC
Contains SVHC: No**
**Halogen-Free
Status
Not Reviewed**

China RoHS



**Need more information on product
environmental compliance?**

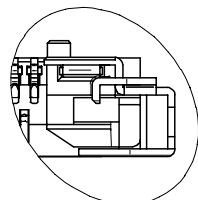
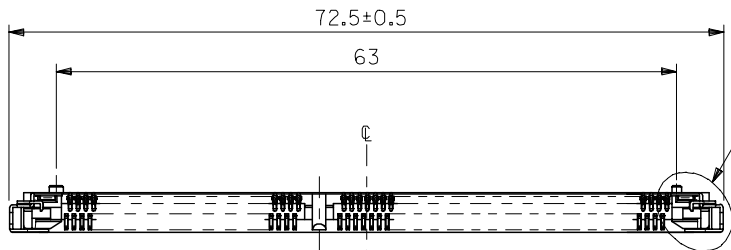
Email productcompliance@molex.com
For a multiple part number RoHS Certificate of Compliance, [click here](#)

Please visit the [Contact Us](#) section for any non-product compliance questions.

Search Parts in this Series
54697Series

Mates With
JEDEC Standard DRAM and SDRAM modules

10 9 8 7 6 5 4 3 2 1



詳細 D
DETAIL D

SCALE 5:1

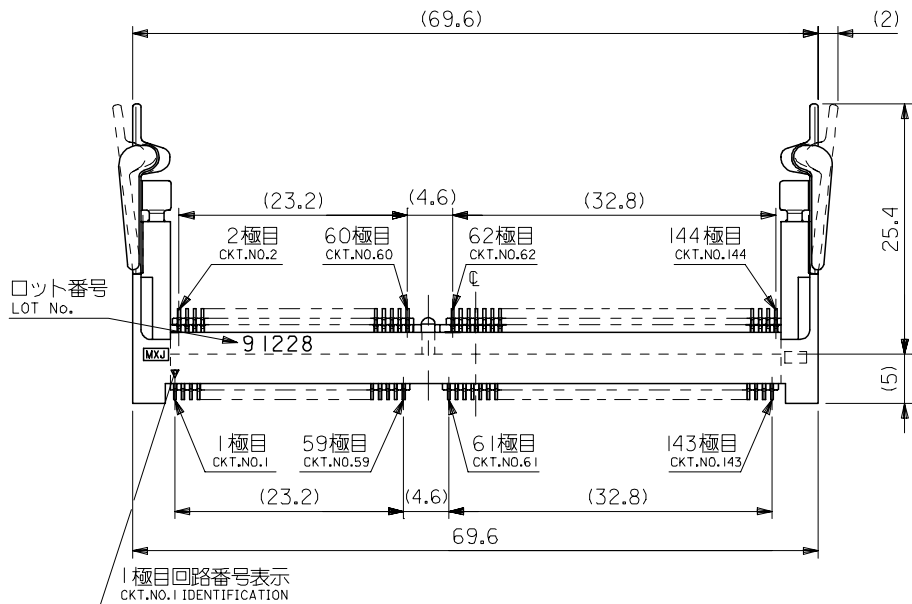
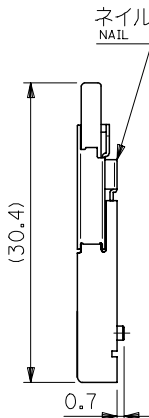
注記 1. 材料 ハウジング : ガラス入り耐熱樹脂、白色、UL94V-0
MATERIAL HOUSING : G.F.HEAT RESISTANT PLASTIC, WHITE, UL94V-0
ターミナル : 燐青銅
TERMINAL : PHOSPHOR BRONZE
ネイル : 黄銅
NAIL : BRASS

2. めっき仕様
PLATING
ロングターミナル
LONG TERMINAL
接点部 : 金めっき 0.25μmMIN.
CONTACT AREA : GOLD 0.25 MICROMETER MIN.
半田付け部 : 錫めっき 1.0μmMIN.
SOLDER TAIL AREA : TIN 1.0 MICROMETER MIN.
下地めっき : ニッケルめっき 2.0μmMIN.
UNDER-PLATING : NICKEL 2.0 MICROMETER MIN.
ショートターミナル
SHORT TERMINAL
接点部 : 金めっき 0.25μmMIN.
CONTACT AREA : GOLD 0.25 MICROMETER MIN.
半田付け部 : 錫めっき 1.0μmMIN.
SOLDER TAIL AREA : TIN 1.0 MICROMETER MIN.
下地めっき : ニッケルめっき 2.0μmMIN.
UNDER-PLATING : NICKEL 2.0 MICROMETER MIN.

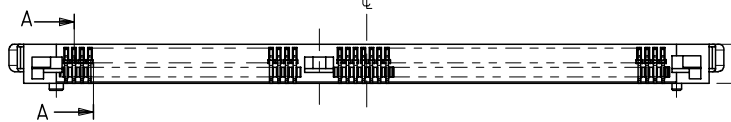
ネイル
NAIL
錫めっき : 1.0μmMIN.
TIN : 1.0 MICROMETER MIN.
下地めっき : ニッケルめっき 1.0μmMIN.
UNDER-PLATING : NICKEL 1.0 MICROMETER MIN.

3. テール平坦度は、0.1 MAX. とする。
TAIL COPLANARITY TO BE 0.1 MAX.
ネイル平坦度は、0.1 MAX. とする。
NAIL COPLANARITY TO BE 0.1 MAX.

4. 本製品は 54697-144* の鉛フリー品である。
THIS PRODUCT IS LEAD FREE OF 54697-144*.



1.75	2.85	1.35	3.25	4.05	***V	ハードトレイ (高さ9) HARD TRAY(HIGHT 9)	54697-7008		
						ハードトレイ (高さ11) HARD TRAY(HIGHT 11)	54697-7005		
						標準トレイ NORMAL TRAY	54697-7002		
3.25	1.35	2.85	1.75	5.55	5.0V	ハードトレイ (高さ9) HARD TRAY(HIGHT 9)	54697-7007	54697-700*	144
						ハードトレイ (高さ11) HARD TRAY(HIGHT 11)	54697-7004		
						標準トレイ NORMAL TRAY	54697-7001		
						ハードトレイ (高さ9) HARD TRAY(HIGHT 9)	54697-7006		
2.5	2.1	2.1	2.5	4.8	3.3V	ハードトレイ (高さ11) HARD TRAY(HIGHT 11)	54697-7003		
						標準トレイ NORMAL TRAY	54697-7000		
E	D	C	B	A	POWER SUPPLY	梱包トレイ PACKAGING TRAY	MATERIAL NO.	MODEL NO.	CKT.



MATERIAL 材料
注記参照
SEE NOTES
FINISH 仕上げ
注記参照
SEE NOTES

REVISED
EC NO: J2007-0519
DRW:KSAIT001 2006/08/25
CHK:D:THARUYAMA 2006/08/25
APPR:NUKITA 2006/09/04
DESCRIPTION
REV A

GENERAL TOLERANCES (UNLESS SPECIFIED)
10 UNDER ±0.2
10 OVER 30 UNDER ±0.25
30 OVER ±0.3
ANGULAR ±3 °
DRAFT WHERE APPLICABLE MUST REMAIN WITHIN DIMENSIONS

DIMENSION STYLE
MM ONLY
DRAWN BY Y.WADA DATE 2004/05/14
CHECKED BY M.SASAO DATE 2004/05/14
APPROVED BY M.SASAO DATE 2004/05/14
MATERIAL NO. SEE CHART
SIZE A3

SCALE 2:1
DESIGN UNITS METRIC
THIRD ANGLE PROJECTION
TITLE 0.8MM PITCH S.O.DIMM SOCKET 144CKT H=4 -LEAD FREE-
MOLEX MOLEX INCORPORATED
DOCUMENT NO. SD-54697-004 SHEET NO. 1 OF 3
THIS DRAWING CONTAINS INFORMATION THAT IS PROPRIETARY TO MOLEX INCORPORATED AND SHOULD NOT BE USED WITHOUT WRITTEN PERMISSION

10 9 8 7 6 5 4 3 2 1

F F

E E

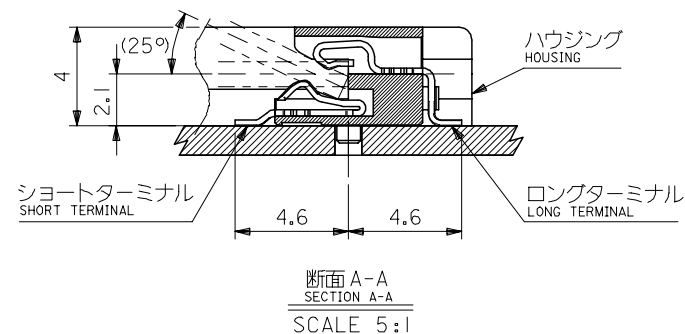
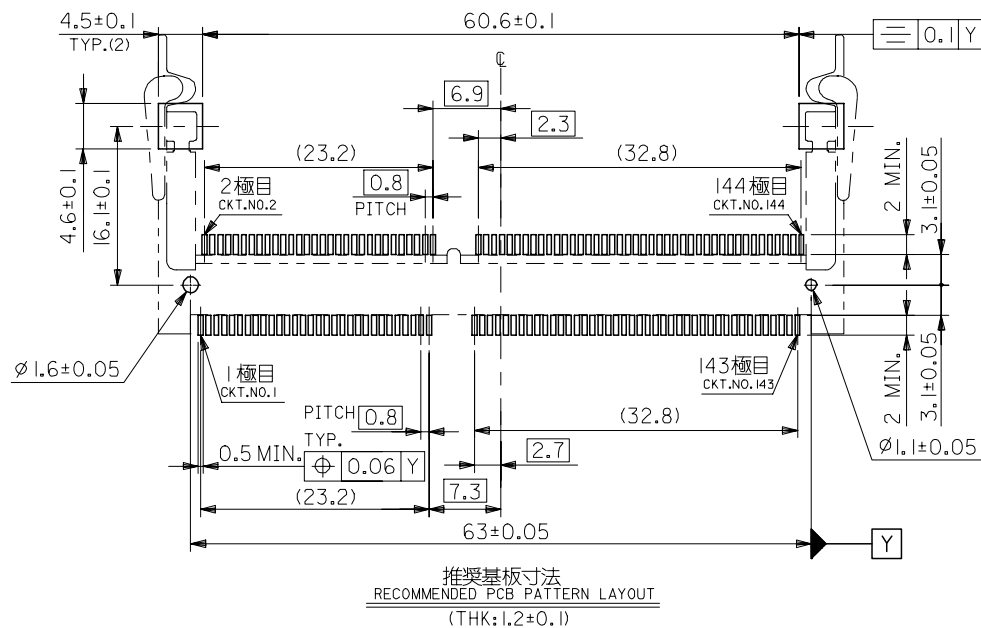
D D

C C

B B

A A

ib_frame_A3_J_ME_S
Rev. D 2004/04/02

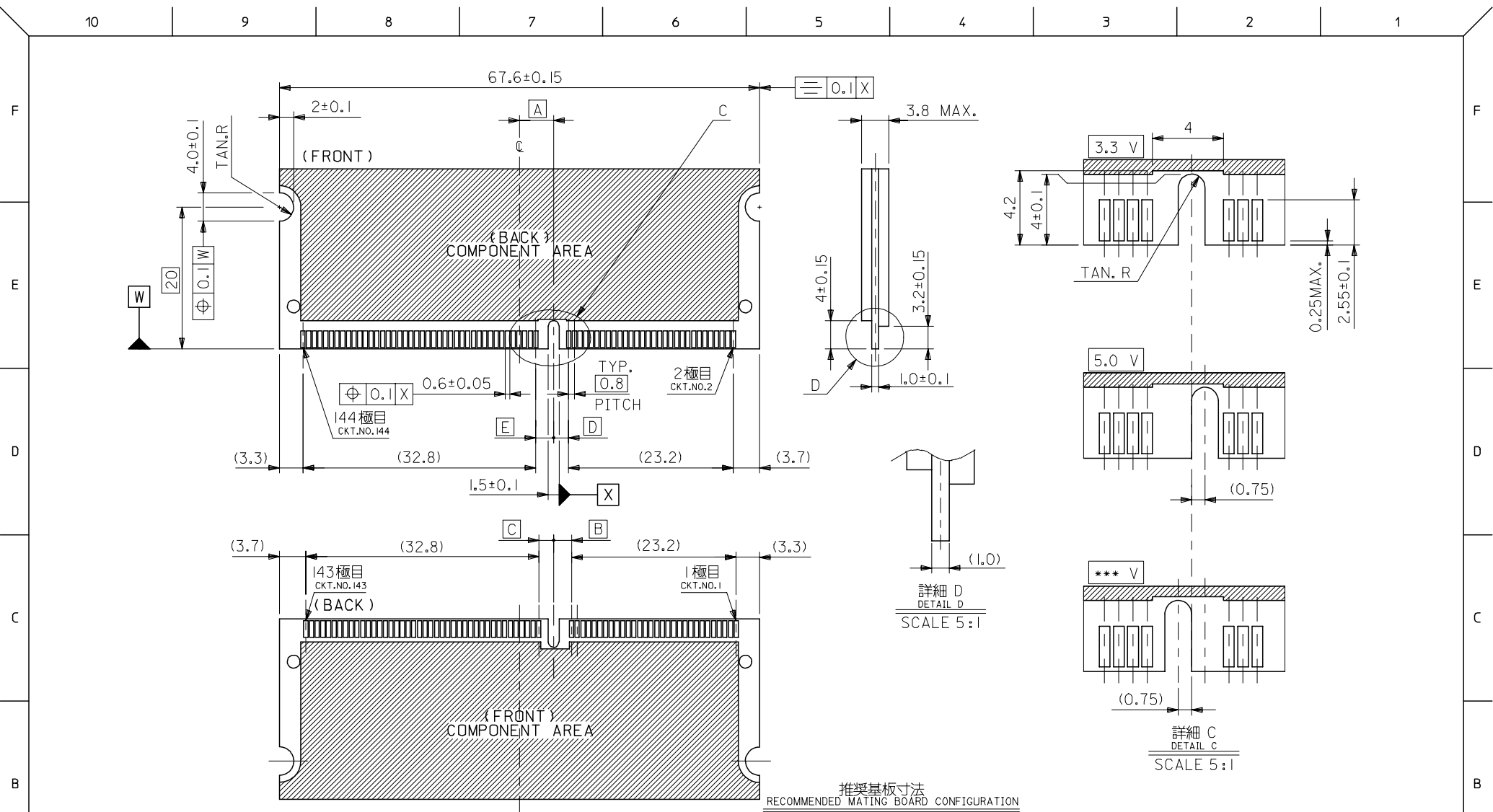


MODEL NO. 54697-700*

REVISED EC NO: J2007-0519 DRWNG: SALT001 2006/08/25 CHKD: THARUYAMA 2006/08/25 APPR: NUKITA 2006/09/04	GENERAL TOLERANCES (UNLESS SPECIFIED)		DIMENSION STYLE MM ONLY	SCALE 2:1	DESIGN UNITS METRIC	THIRD ANGLE PROJECTION
	10 UNDER	±0.2	DRAWN BY Y.WADA	DATE 2004/05/14	TITLE 0.8MM PITCH S.O.DIMM SOCKET 144CKT H=4 -LEAD FREE-	
	10 OVER 30 UNDER	±0.25	CHECKED BY M.SASAO	DATE 2004/05/14	MOLEX INCORPORATED	
	30 OVER	±0.3	APPROVED BY M.SASAO	DATE 2004/05/14		
	ANGULAR	±3 °	MATERIAL NO. SEE SHEET 1 OF 3	DOCUMENT NO. SD-54697-004	SHEET NO. 2 OF 3	
DRAFT WHERE APPLICABLE MUST REMAIN WITHIN DIMENSIONS		THIS DRAWING CONTAINS INFORMATION THAT IS PROPRIETARY TO MOLEX INCORPORATED AND SHOULD NOT BE USED WITHOUT WRITTEN PERMISSION				

MATERIAL 材料	注記参照 SEE NOTES
FINISH 仕上げ	注記参照 SEE NOTES

9 8 7 6 5 4 3 2 1 EN-02JA(021)



推奨基板寸法
RECOMMENDED MATING BOARD CONFIGURATION
(THK: 1.0 ± 0.1)

MATERIAL 材料	注記参照 SEE NOTES
FINISH 仕上げ	注記参照 SEE NOTES

REVISED EC NO: J2007-0519 DRW: KSAIT001 CHK: D: THARUYAMA APP: NUKITA	DESCRIPTION	GENERAL TOLERANCES (UNLESS SPECIFIED)	DIMENSION STYLE MM ONLY	SCALE 2:1	DESIGN UNITS METRIC	MODEL NO. 54697-700*
	10 UNDER	± 0.2	DRAWN BY Y. WADA	DATE 2004/05/14	TITLE 0.8MM PITCH S.O.DIMM SOCKET 144CKT H=4 -LEAD FREE-	THIRD ANGLE PROJECTION
	10 OVER 30 UNDER	± 0.25	CHECKED BY M. SASAO	DATE 2004/05/14	MOLEX INCORPORATED	
	30 OVER	± 0.3	APPROVED BY M. SASAO	DATE 2004/05/14		DOCUMENT NO. SD-54697-004
	ANGULAR	± 3 °	DRAFT WHERE APPLICABLE MUST REMAIN WITHIN DIMENSIONS	MATERIAL NO. SEE SHEET 1 OF 3	SHEET NO. 3 OF 3	
SIZE A3	THIS DRAWING CONTAINS INFORMATION THAT IS PROPRIETARY TO MOLEX INCORPORATED AND SHOULD NOT BE USED WITHOUT WRITTEN PERMISSION					