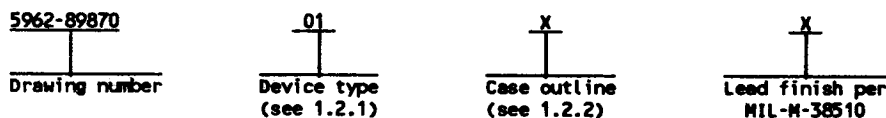




1. SCOPE

1.1 Scope. This drawing describes device requirements for class B microcircuits in accordance with 1.2.1 of MIL-STD-883, "Provisions for the use of MIL-STD-883 in conjunction with compliant non-JAN devices".

1.2 Part or Identifying Number (PIN). The complete PIN shall be as shown in the following example:



1.2.1 Device type(s). The device type(s) shall identify the circuit function as follows:

Device type	Generic number	Circuit function
01	7908A	Negative regulator, fixed 8-volt

1.2.2 Case outlines. The case outlines shall be as designated in appendix C of MIL-M-38510, and as follows:

Outline letter	Case outline
X	See figure 1, TO-39 (3-lead can)
Y	See figure 1, TO-3 (2-lead can)
Z	See figure 1, TO-66 (2-lead can)
T	See figure 1, TO-257 (3-lead, flange mounted case)
U	See figure 1, TO-257 (3-lead, flange mounted case), with isolated tab

1.3 Absolute maximum ratings.

<u>Input voltage:</u>	
Operating or output shorted to ground - - - - -	-35 V dc
Transient - - - - -	-43 V dc <sup>1/</sup>
Storage temperature range - - - - -	-65°C to +150°C
Lead temperature (soldering, 10 seconds) - - - - -	+300°C
<u>Power dissipation (P<sub>D</sub>):</u>	
T <sub>C</sub> = +25°C:	
Case X - - - - -	2 W
Case Y - - - - -	20 W
Cases Z, T, and U - - - - -	15 W
T <sub>A</sub> = +25°C:	
Case X - - - - -	1.0 W
Case Y - - - - -	4.3 W
Cases Z, T, and U - - - - -	3.0 W
<u>Thermal resistance, junction-to-case (θ<sub>JC</sub>):</u>	
Case X - - - - -	15°C/W
Case Y - - - - -	3°C/W
Case Z - - - - -	6°C/W
Case T - - - - -	3.5°C/W
Case U - - - - -	4.2°C/W

<sup>1/</sup> The 43-volt input rating refers to the ability of the regulator to withstand high line or transient condition without damage. Since the regulators maximum current capability is reduced, the output may fall out of regulation at high input voltages under nominal loading.

<b>STANDARDIZED MILITARY DRAWING</b>	SIZE <b>A</b>	5962-89870
DEFENSE ELECTRONICS SUPPLY CENTER DAYTON, OHIO 45444	REVISION LEVEL	SHEET 2

Thermal resistance, junction-to-ambient ( $\theta_{JA}$ ):	
Case X- - - - -	120°C/W
Case Y- - - - -	35°C/W
Cases Z, T, and U - - - - -	42°C/W
Junction temperature ( $T_J$ ) - 1/- - - - -	+150°C

1.4 Recommended operating conditions.

Ambient operating temperature range ( $T_A$ ) - - - - -	-55°C to +125°C
Input voltage range - - - - -	-10.5 V dc to -25.0 V dc
Long term stability ( $\Delta V_{OUT} / \Delta t$ ) 2/- - - - -	32 mV

2. APPLICABLE DOCUMENTS

2.1 Government specification, standard, and bulletin. Unless otherwise specified, the following specification, standard, and bulletin of the issue listed in that issue of the Department of Defense Index of Specifications and Standards specified in the solicitation, form a part of this drawing to the extent specified herein.

SPECIFICATION

MILITARY

MIL-M-38510 - Microcircuits, General Specification for.

STANDARD

MILITARY

MIL-STD-883 - Test Methods and Procedures for Microelectronics.

BULLETIN

MILITARY

MIL-BUL-103 - List of Standardized Military Drawings (SMD's).

(Copies of the specification, standard, and bulletin required by manufacturers in connection with specific acquisition functions should be obtained from the contracting activity or as directed by the contracting activity.)

2.2 Order of precedence. In the event of a conflict between the text of this drawing and the references cited herein, the text of this drawing shall take precedence.

3. REQUIREMENTS

3.1 Item requirements. The individual item requirements shall be in accordance with 1.2.1 of MIL-STD-883, "Provisions for the use of MIL-STD-883 in conjunction with compliant non-JAN devices" and as specified herein.

3.2 Design, construction, and physical dimensions. The design, construction, and physical dimensions shall be as specified in MIL-M-38510 and herein.

3.2.1 Terminal connections. The terminal connections shall be as specified on figure 2.

3.2.2 Case outlines. The case outlines shall be in accordance with 1.2.2 herein.

1/ The device is protected by a thermal shutdown circuit which is designed to turn off the output transistor whenever the device junction temperature is in excess of +150°C.

2/  $T_A = +25^\circ\text{C}$ ,  $t = 1,000$  hours.

<b>STANDARDIZED MILITARY DRAWING</b> DEFENSE ELECTRONICS SUPPLY CENTER DAYTON, OHIO 45444	SIZE <b>A</b>	5962-89870
	REVISION LEVEL	SHEET 3

DESC FORM 193A  
SEP 87

U. S. GOVERNMENT PRINTING OFFICE: 1985-890-547

TABLE I. Electrical performance characteristics.

Test	Symbol	Conditions 1/ -55°C ≤ T <sub>A</sub> ≤ +125°C unless otherwise specified	Group A subgroups	Limits		Unit
				Min	Max	
Output voltage	V <sub>OUT</sub>	T <sub>A</sub> = +25°C	1	-7.68	-8.12	V
		V <sub>IN</sub> = -11.5 V to -25 V 2/	1, 2, 3	-7.7	-8.3	
Line regulation 3/ 4/	V <sub>RLINE</sub>	V <sub>IN</sub> = -10.5 V to -25 V	1		40	mV
			2, 3		70	
		V <sub>IN</sub> = -11 V to -17 V	1		20	
			2, 3		40	
Load regulation 3/	V <sub>RLOAD</sub>	I <sub>O</sub> = 5.0 mA to 1.5 A 5/	1		80	mV
			2, 3		150	
		I <sub>O</sub> = 250 mA to 750 mA 5/	1		30	
			2, 3		60	
		I <sub>O</sub> = 5 mA to 500 mA 6/	1		30	
			2, 3		60	
Standby current drain	I <sub>SCD</sub>		1		2.0	mA
			2, 3		2.5	
Standby current drain change with line	delta I <sub>SCD</sub> (line)	V <sub>IN</sub> = -11.5 V to -25 V	1, 2, 3		1.0	mA
Standby current drain change with load	delta I <sub>SCD</sub> (load)	I <sub>O</sub> = 5.0 mA to 1.0 A 5/	1, 2, 3		0.5	mA
		I <sub>O</sub> = 5.0 mA to 500 mA 6/			0.5	

See footnotes at end of table.

<b>STANDARDIZED MILITARY DRAWING</b> DEFENSE ELECTRONICS SUPPLY CENTER DAYTON, OHIO 45444	SIZE <b>A</b>	5962-89870
	REVISION LEVEL	SHEET 4

DESC FORM 193A  
SEP 87

U. S. GOVERNMENT PRINTING OFFICE: 1988-680-547

TABLE I. Electrical performance characteristics - Continued.

Test	Symbol	Conditions 1/ -55°C ≤ T <sub>A</sub> ≤ +125°C unless otherwise specified		Group A subgroups	Limits		Unit
					Min	Max	
Dropout voltage	V <sub>DO</sub>	delta V <sub>OUT</sub> = 100 mV	I <sub>O</sub> = 1.0 A 5/	1, 2, 3		2.3	V
			I <sub>O</sub> = 500 mA 6/				
Peak output current	I <sub>O(pk)</sub>	T <sub>A</sub> = +25°C	5/	1	1.5	3.3	A
			6/				
Short circuit current 7/	I <sub>OS</sub>	V <sub>IN</sub> = 35 V	5/	1		1.2	A
				2, 3			
			6/	1		0.6	
				2, 3		2.0	
Ripple rejection 3/	delta V <sub>IN</sub> / delta V <sub>OUT</sub>	f = 120 Hz, delta V <sub>IN</sub> = 10 V	4	54			dB
Output noise voltage 8/	N <sub>O</sub>	T <sub>A</sub> = +25°C, f = 10 Hz to 100 kHz	7			80	μV/V rms

1/ Unless otherwise specified, V<sub>IN</sub> = -14 V and I<sub>O</sub> = 500 mA for cases Y, Z, T, and U, V<sub>IN</sub> = -14 V and I<sub>O</sub> = 100 mA for case X. Maximum test current for case X is 500 mA.

2/ For case X: I<sub>O</sub> = 5 mA to 500 mA, P ≤ 2 W. For case Y: I<sub>O</sub> = 5 mA to 1.0 A, P ≤ 20 W. For cases Z, T, and U: I<sub>O</sub> = 5 mA to 1.0 A, P ≤ 15 W.

3/ All measurements except output noise voltage and ripple rejection are made at constant junction temperature and with low duty cycle.

4/ Minimum load current for full line regulation is 5.0 mA.

5/ For cases Y, Z, T, and U only.

6/ For case X only.

7/ Short circuit protection is only assured up to V<sub>IN</sub> = -35 V.

8/ Guaranteed if not tested to the limits specified.

<b>STANDARDIZED MILITARY DRAWING</b> DEFENSE ELECTRONICS SUPPLY CENTER DAYTON, OHIO 45444	SIZE <b>A</b>	5962-89870
	REVISION LEVEL	SHEET 5

DESC FORM 193A  
SEP 87

U.S. GOVERNMENT PRINTING OFFICE: 1985-550-547

Case outline X

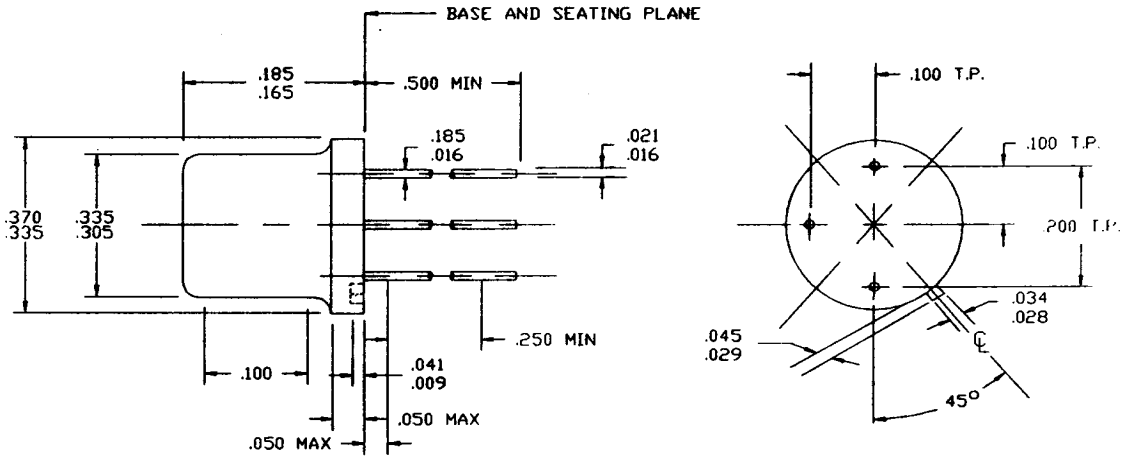


FIGURE 1. Case outlines.

<b>STANDARDIZED MILITARY DRAWING</b> DEFENSE ELECTRONICS SUPPLY CENTER DAYTON, OHIO 45444	SIZE <b>A</b>	5962-89870
	REVISION LEVEL	SHEET 6

DESC FORM 193A  
SEP 87

© U S GOVERNMENT PRINTING OFFICE 1988-850-547

Case outline Y

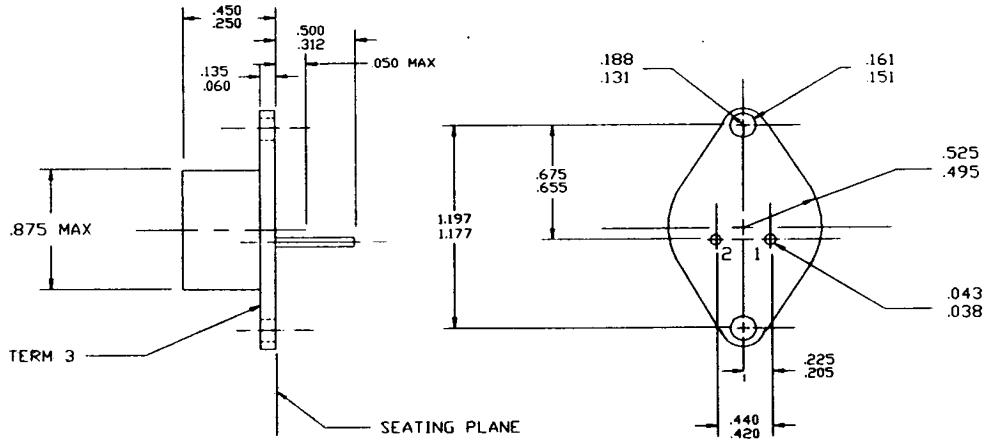


FIGURE 1. Case outlines - Continued.

<b>STANDARDIZED MILITARY DRAWING</b> DEFENSE ELECTRONICS SUPPLY CENTER DAYTON, OHIO 45444	SIZE <b>A</b>		5962-89870
		REVISION LEVEL	SHEET <b>7</b>

DESC FORM 193A  
SEP 87

© U S GOVERNMENT PRINTING OFFICE 1988-550-547

Case outline Z

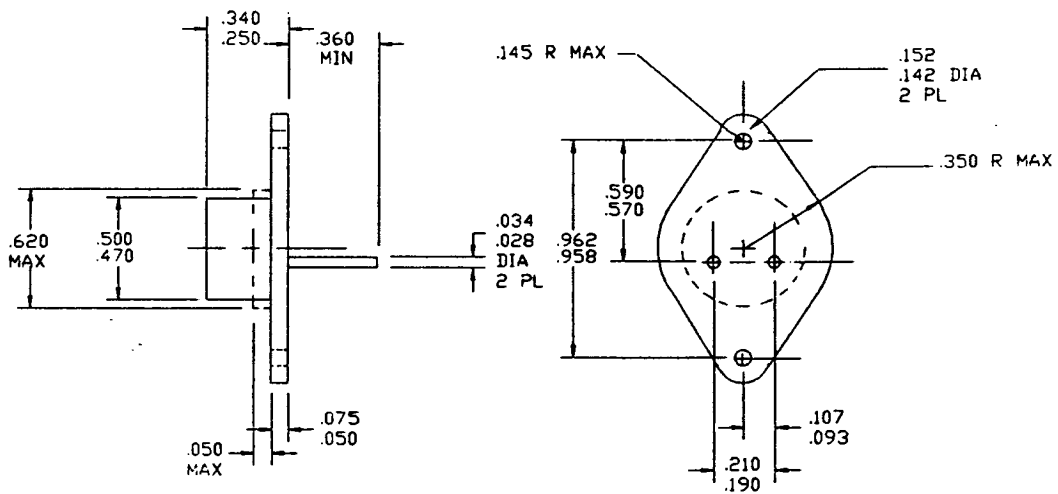


FIGURE 1. Case outlines - Continued.

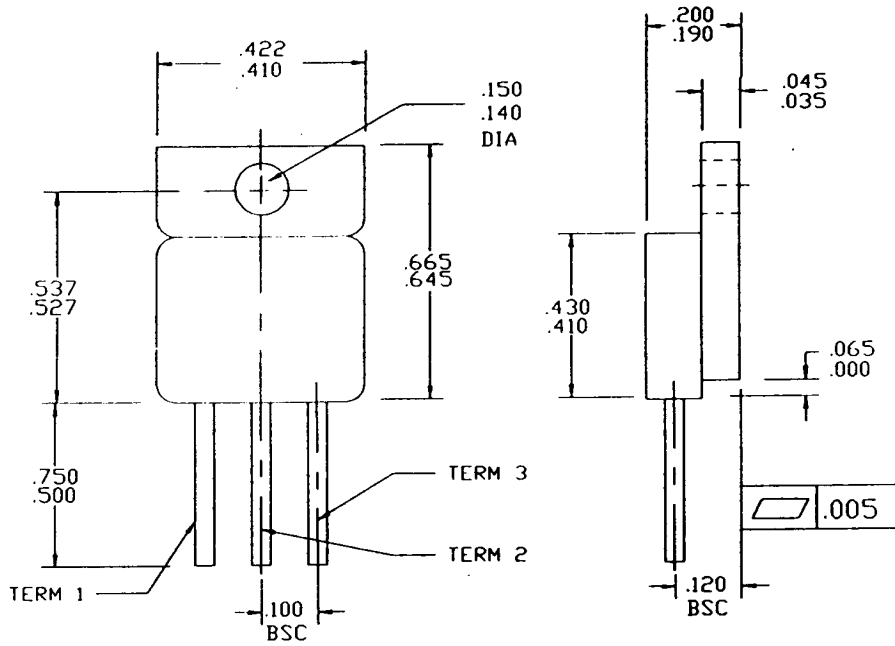
<b>STANDARDIZED MILITARY DRAWING</b> DEFENSE ELECTRONICS SUPPLY CENTER DAYTON, OHIO 45444	SIZE <b>A</b>	5962-88749
	REVISION LEVEL	SHEET 8

DESC FORM 193A  
SEP 87

U.S. GOVERNMENT PRINTING OFFICE: 1988-560-547



Case outlines T and U



Inches	mm	Inches	mm
.028	0.71	.250	6.35
.034	0.86	.340	8.64
.050	1.27	.350	8.89
.075	1.91	.360	9.14
.093	2.36	.470	11.94
.107	2.72	.500	12.70
.142	3.61	.570	14.48
.145	3.68	.590	14.99
.152	3.86	.620	15.75
.190	4.83	.958	24.33
.210	5.33	.962	24.43

NOTES:

1. Dimensions are in inches.
2. Metric equivalents are given for general information only.

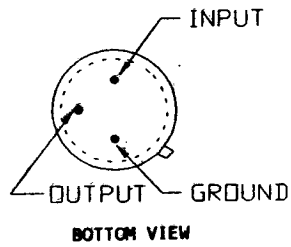
FIGURE 1. Case outlines - Continued.

<b>STANDARDIZED MILITARY DRAWING</b> DEFENSE ELECTRONICS SUPPLY CENTER DAYTON, OHIO 45444	SIZE <b>A</b>	5962-89870	
	REVISION LEVEL		SHEET 9

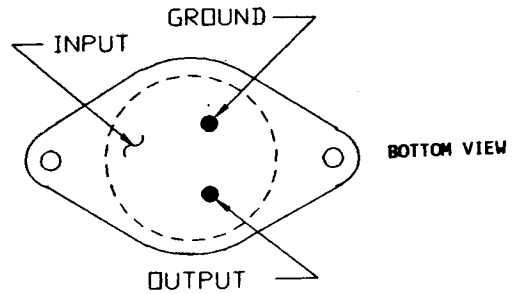
DESC FORM 193A  
SEP 87

U S GOVERNMENT PRINTING OFFICE 1988-550-547

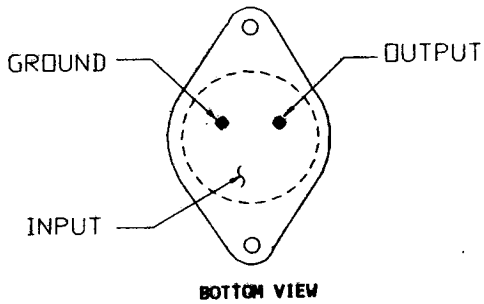
Case outline X



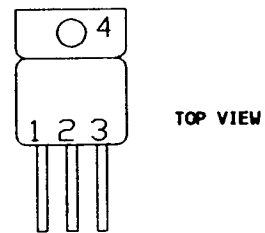
Case outline Y



Case outline Z



Case outlines T and U



- |           |           |
|-----------|-----------|
| Case T    | Case U    |
| 1. GROUND | 1. GROUND |
| 2. INPUT  | 2. INPUT  |
| 3. OUTPUT | 3. OUTPUT |
| 4. INPUT  | 4. NC     |

FIGURE 2. Terminal connections.

<b>STANDARDIZED MILITARY DRAWING</b> DEFENSE ELECTRONICS SUPPLY CENTER DAYTON, OHIO 45433	SIZE <b>A</b>	5962-89870
	REVISION LEVEL	SHEET 10

DESC FORM 193A  
SEP 87

© U.S. GOVERNMENT PRINTING OFFICE 1988-550-547

3.3 Electrical performance characteristics. Unless otherwise specified herein, the electrical performance characteristics are as specified in table I and shall apply over the full ambient operating temperature range.

3.4 Electrical test requirements. The electrical test requirements shall be the subgroups specified in table II. The electrical tests for each subgroup are described in table I.

3.5 Marking. Marking shall be in accordance with MIL-STD-883 (see 3.1 herein). The part shall be marked with the PIN listed in 1.2 herein. In addition, the manufacturer's PIN may also be marked as listed in MIL-BUL-103 (see 6.6 herein).

3.6 Certificate of compliance. A certificate of compliance shall be required from a manufacturer in order to be listed as an approved source of supply in MIL-BUL-103 (see 6.6 herein). The certificate of compliance submitted to DESC-ECS prior to listing as an approved source of supply shall affirm that the manufacturer's product meets the requirements of MIL-STD-883 (see 3.1 herein) and the requirements herein.

3.7 Certificate of conformance. A certificate of conformance as required in MIL-STD-883 (see 3.1 herein) shall be provided with each lot of microcircuits delivered to this drawing.

3.8 Notification of change. Notification of change to DESC-ECS shall be required in accordance with MIL-STD-883 (see 3.1 herein).

3.9 Verification and review. DESC, DESC's agent, and the acquiring activity retain the option to review the manufacturer's facility and applicable required documentation. Offshore documentation shall be made available onshore at the option of the reviewer.

4. QUALITY ASSURANCE PROVISIONS

4.1 Sampling and inspection. Sampling and inspection procedures shall be in accordance with section 4 of MIL-M-38510 to the extent specified in MIL-STD-883 (see 3.1 herein).

4.2 Screening. Screening shall be in accordance with method 5004 of MIL-STD-883, and shall be conducted on all devices prior to quality conformance inspection. The following additional criteria shall apply:

a. Burn-in test, method 1015 of MIL-STD-883.

(1) Test condition A, B, C, or D using the circuit submitted with the certificate of compliance (see 3.6 herein).

(2)  $T_A = +125^\circ\text{C}$ , minimum.

b. Interim and final electrical test parameters shall be as specified in table II herein, except interim electrical parameter tests prior to burn-in are optional at the discretion of the manufacturer.

4.3 Quality conformance inspection. Quality conformance inspection shall be in accordance with method 5005 of MIL-STD-883 including groups A, B, C, and D inspections. The following additional criteria shall apply.

4.3.1 Group A inspection.

a. Tests shall be as specified in table II herein.

b. Subgroups 8, 9, 10, and 11 in table I, method 5005 of MIL-STD-883 shall be omitted.

<b>STANDARDIZED MILITARY DRAWING</b> DEFENSE ELECTRONICS SUPPLY CENTER DAYTON, OHIO 45444	SIZE <b>A</b>	5962-89870
	REVISION LEVEL	SHEET 11

DESC FORM 193A  
SEP 87

U.S. GOVERNMENT PRINTING OFFICE: 1985-550-547

TABLE II. Electrical test requirements.

MIL-STD-883 test requirements	Subgroups (per method 5005, table 1)
Interim electrical parameters (method 5004)	1
Final electrical test parameters (method 5004)	1*, 2, 3, 4
Group A test requirements (method 5005)	1, 2, 3, 4, 5, 6, 7**
Groups C and D end-point electrical parameters (method 5005)	1

\* PDA applies to subgroup 1.

\*\* Subgroups 5, 6, and 7, if not tested, shall be guaranteed to the limits specified in table I.

4.3.2 Groups C and D inspections.

a. End-point electrical parameters shall be as specified in table II herein.

b. Steady-state life test conditions, method 1005 of MIL-STD-883:

(1) Test condition A, B, C, or D using the circuit submitted with the certificate of compliance (see 3.6 herein).

(2)  $T_A = +125^\circ\text{C}$ , minimum.

(3) Test duration: 1,000 hours, except as permitted by method 1005 of MIL-STD-883.

5. PACKAGING

5.1 Packaging requirements. The requirements for packaging shall be in accordance with MIL-M-38510.

6. NOTES

6.1 Intended use. Microcircuits conforming to this drawing are intended for use when military specifications do not exist and qualified military devices that will perform the required function are not available for OEM application. When a military specification exists and the product covered by this drawing has been qualified for listing on QPL-38510, the device specified herein will be inactivated and will not be used for new design. The QPL-38510 product shall be the preferred item for all applications.

6.2 Replaceability. Microcircuits covered by this drawing will replace the same generic device covered by a contractor-prepared specification or drawing.

6.3 Configuration control of SMD's. All proposed changes to existing SMD's will be coordinated with the users of record for the individual documents. This coordination will be accomplished in accordance with MIL-STD-481 using DD Form 1693, Engineering Change Proposal (Short Form).

<b>STANDARDIZED MILITARY DRAWING</b> DEFENSE ELECTRONICS SUPPLY CENTER DAYTON, OHIO 45444	SIZE <b>A</b>	5962-89870
	REVISION LEVEL	SHEET 12

DESC FORM 193A  
SEP 87

U. S. GOVERNMENT PRINTING OFFICE: 1988-550-847

6.4 Record of users. Military and industrial users shall inform Defense Electronics Supply Center when a system application requires configuration control and the applicable SMD. DESC will maintain a record of users and this list will be used for coordination and distribution of changes to the drawings. Users of drawings covering microelectronics devices (FSC 5962) should contact DESC-ECS, telephone (513) 296-6021.

6.5 Comments. Comments on this drawing should be directed to DESC-ECS, Dayton, Ohio 45444, or telephone (513) 296-5375.

6.6 Approved sources of supply. Approved sources of supply are listed in MIL-BUL-103. The vendors listed in MIL-BUL-103 have agreed to this drawing and a certificate of compliance (see 3.6 herein) has been submitted to and accepted by DESC-ECS.

<b>STANDARDIZED MILITARY DRAWING</b> DEFENSE ELECTRONICS SUPPLY CENTER DAYTON, OHIO 45444	<b>SIZE</b> <b>A</b>		5962-89870
		<b>REVISION LEVEL</b>	<b>SHEET</b> 13

DESC FORM 193A  
SEP 87

U. S. GOVERNMENT PRINTING OFFICE: 1988-550-547