

PLEASE CHECK WWW.MOLEX.COM FOR LATEST PART INFORMATION

Part Number: [0746972511](#)
Status: **Active**
Overview: vhdm_hsd
Description: 2.00mm (.079") Pitch 5-Row VHDM-HSD™ Backplane Header, Guide Pin Signal Module, Shield End Version, 100 Circuits, Pin Length 4.75mm (.187")

Documents:

[Drawing \(PDF\)](#) [RoHS Certificate of Compliance \(PDF\)](#)

Agency Certification

CSA LR19980

General

Product Family Backplane Connectors
 Series [74697](#)
 Application Backplane
 Application Tooling Documents http://www.molex.com/pdm_docs/ats/TM-622010999.pdf>Tooling Manual
 Comments Keying Position A
 Component Type PCB Header
 Overview [vhdm_hsd](#)
 Product Name VHDM-HSD™
 Style N/A

Physical

Circuits (Loaded) 100
 Circuits (maximum) 100
 Color - Resin Black
 Durability (mating cycles max) 200
 First Mate / Last Break No
 Flammability 94V-0
 Guide to Mating Part Yes
 Keying to Mating Part Yes
 Material - Metal High Performance Alloy (HPA), Stainless Steel
 Material - Plating Mating Gold
 Material - Plating Termination Tin-Lead
 Material - Resin High Temperature Thermoplastic
 Number of Columns 25
 Number of Pairs Open Pin Field
 Number of Rows 5
 Orientation Vertical
 PCB Retention None
 PCB Thickness Recommended (in) 0.070 In
 PCB Thickness Recommended (mm) 1.80 mm
 Packaging Type Tube
 Pitch - Mating Interface (in) 0.079 In
 Pitch - Mating Interface (mm) 2.00 mm
 Plating min: Mating (µin) 30
 Plating min: Mating (µm) 0.75
 Plating min: Termination (µin) 30
 Plating min: Termination (µm) 0.75
 Polarized to PCB Yes
 Stackable Yes
 Surface Mount Compatible (SMC) Yes
 Temperature Range - Operating -55°C to +105°C
 Termination Interface: Style Through Hole - Compliant Pin

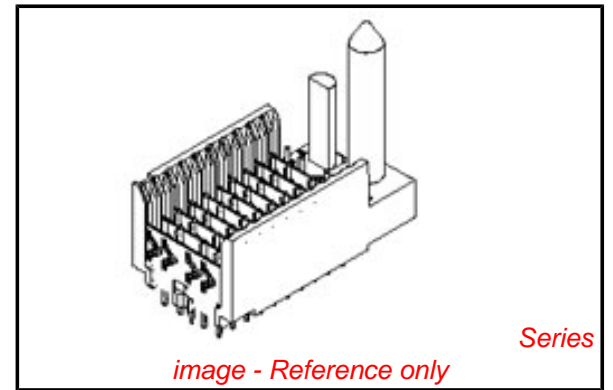


image - Reference only

EU RoHS

RoHS Compliant by Exemption

REACH SVHC

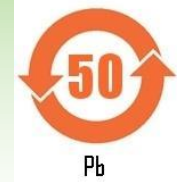
Not Reviewed

Halogen-Free

Status

Not Reviewed

China RoHS



Need more information on product environmental compliance?

Email productcompliance@molex.com
 For a multiple part number RoHS Certificate of Compliance, [click here](#)

Please visit the [Contact Us](#) section for any non-product compliance questions.

Search Parts in this Series

[74697Series](#)

Mates With

[74670 HSD Daughtercard](#)

Application Tooling | FAQ

Tooling specifications and manuals are found by selecting the products below. Crimp Height Specifications are then contained in the Application Tooling Specification document.

Global

Description	Product #
VHDM® Signal Pin Inserter Repair Tool	0622015700
VHDM® 5 Row and Shield Repair Tool	0622015810
VHDM® 5 Row Shield Extraction Tool	0622016010
VHDM-HSD™ Signal Header, 5 Row by	0622020202

25 Wide, 50.00mm
(1.97")

Electrical

Current - Maximum per Contact	1A
Data Rate	5.0 Gbps
Real Signals (per 25mm)	48
Voltage - Maximum	120V AC (RMS)/DC

Material Info

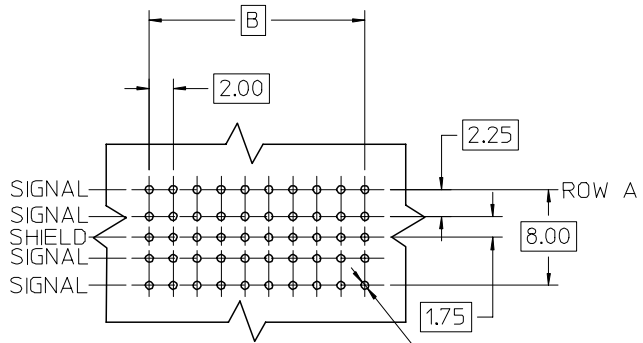
Reference - Drawing Numbers

Packaging Specification	PK-74696-003
Sales Drawing	SD-74697-002

VHDM-HSD is a trademark of Amphenol Corporation

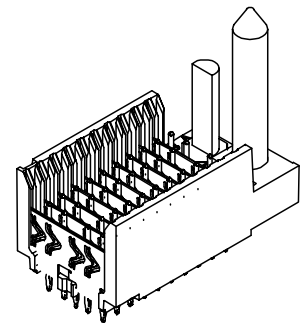
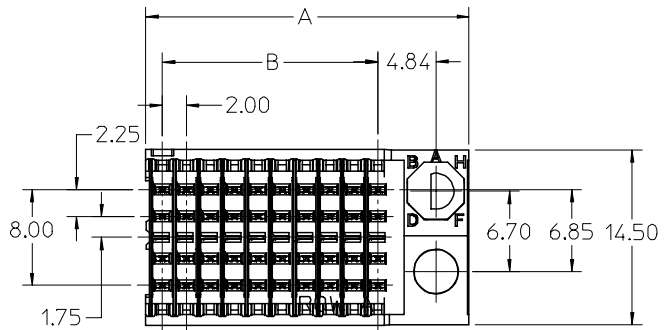
This document was generated on 05/27/2010

PLEASE CHECK WWW.MOLEX.COM FOR LATEST PART INFORMATION



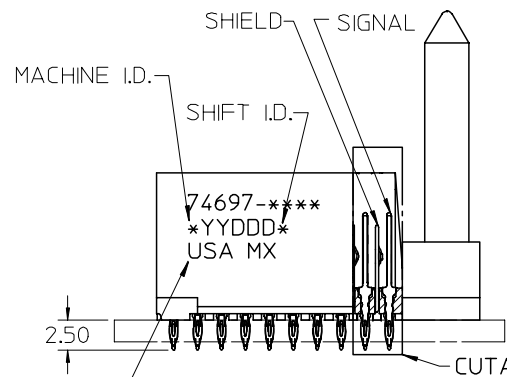
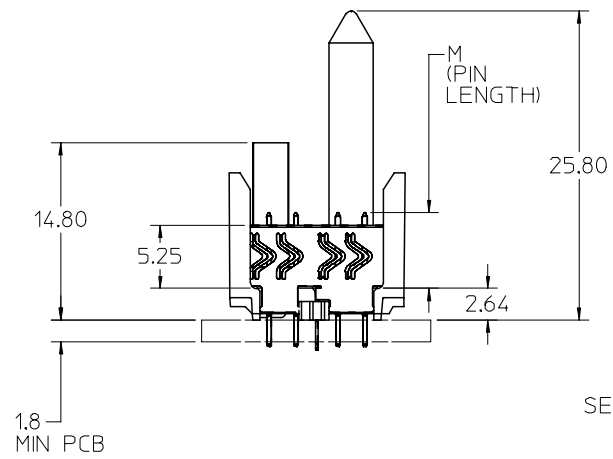
BACKPLANE HOLE PATTERN
RECOMMENDED DIMENSION

- Ø0.66 DRILL
- Ø0.56 ±0.05 PTH
- Ø1.00 PAD
- ⊕ Ø0.10



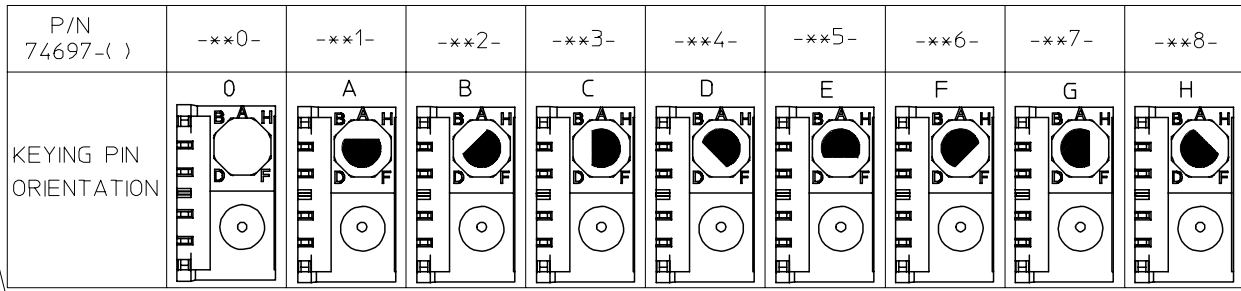
NOTES:

1. MATERIAL: HOUSING -LIQUID CRYSTAL POLYMER (LCP) GLASS-FILLED. UL 94 V-0. COLOR BLACK. SIGNAL & SHIELD -COPPER ALLOY.
2. FINISHES: SELECTIVE GOLD (Au) ON CONTACT AREA. SELECTIVE TIN/LEAD (Sn/Pb) OR SELECTIVE MATTE TIN (Sn) ON PCB TAILS. NICKEL (Ni) OVERALL.
3. THIS PART CONFORMS TO MOLEX PRODUCT SPECIFICATION PS-74031-999.
4. FOR MIXED CONTACT MATING LENGTHS CONSULT MOLEX FOR AVAILABILITY.
5. FOR SPECIFIC PART NUMBER AND MATING INFORMATION REFER TO SHEET 2.
6. PACKAGE PER: PK-74696-003.
7. EITHER MARK PART NUMBER AND DATE CODE APPROXIMATELY WHERE SHOWN OR PLACE LABEL ON THE TUBE.

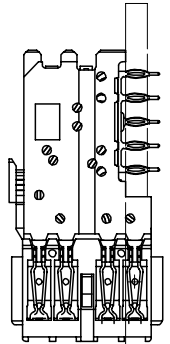
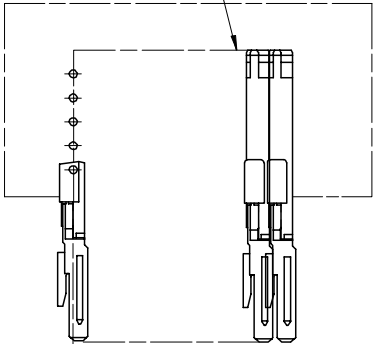


SEE NOTE 7

ADDED LEAD-FREE INFO. EC NO: UCP2006-1744 DRWN:CTHOMAS 2006/02/17 CHKD:JBINGHAM 2006/02/17 APPR:KMULVEY 2006/02/17	QUALITY SYMBOLS ▽=0 ▽=0	GENERAL TOLERANCES (UNLESS SPECIFIED)		SCALE 2.5:1	DESIGN UNITS METRIC	THIRD ANGLE PROJECTION	REVISE ON CAD ONLY		
			mm	INCH	DIMENSION STYLE MM ONLY		TITLE		
		4 PLACES	±---	±---	DRAWN BY MQWANG	DATE 2001/04/17	HSD SALES ASSEMBLY 5 ROW SHIELD END BACKPLANE		
		3 PLACES	±---	±---	CHECKED BY NMARTIN	DATE 2001/04/20			
2 PLACES	±---	±---	ANGULAR ±1/2°		MOLEX INCORPORATED				
1 PLACE	±---	±---	DRAFT WHERE APPLICABLE		APPROVED BY CBIXLER	DATE 2001/04/20	MATERIAL NO. SEE SHT.2&3	DOCUMENT NO. SD-74697-002	SHEET NO. 1 OF 3
MUST REMAIN WITHIN DIMENSIONS		THIS DRAWING CONTAINS INFORMATION THAT IS PROPRIETARY TO MOLEX INCORPORATED AND SHOULD NOT BE USED WITHOUT WRITTEN PERMISSION							



DAUGHTERCARD
CONNECTOR SIDE



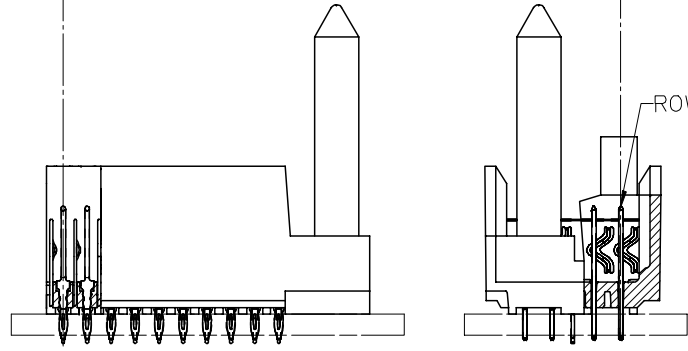
74697-****

NUMBER OF COLUMNS/PLATING	CONTACT LOAD (PIN LENGTH)
05 = 05 COLUMN TIN/LEAD	1 & 6 = 4.75
10 = 10 COLUMN TIN/LEAD	2 & 7 = 6.25
25 = 25 COLUMN TIN/LEAD	3 & 8 = 4.25
95 = 05 COLUMN MATTE TIN	4 & 9 = 5.15
90 = 10 COLUMN MATTE TIN	
85 = 25 COLUMN MATTE TIN	

0.41
SIGNAL TO
SIGNAL

0.75
TOP
DAUGHTERCARD
PCB TO CENTER
OF ROW A

ROW A



ADDED LEAD-FREE INFO. EC NO: UCP2006-1744 DRWN:CTHOMAS 2006/02/17 CHKD:JBINGHAM 2006/02/17 APPR:KMULVEY 2006/02/17	QUALITY SYMBOLS ▽ - 0 ▽ - 0	GENERAL TOLERANCES (UNLESS SPECIFIED)		SCALE 2.5:1	DESIGN UNITS METRIC	THIRD ANGLE PROJECTION	REVISE ON CAD ONLY
		4 PLACES ± --- ± --- 3 PLACES ± --- ± --- 2 PLACES ± --- ± --- 1 PLACE ± --- ± ---	DIMENSION STYLE MM ONLY	TITLE HSD SALES ASSEMBLY 5 ROW SHIELD END BACKPLANE			
		ANGULAR ±1/2°	DRAWN BY MQWANG	DATE 2001/04/17	MOLEX INCORPORATED		
		DRAFT WHERE APPLICABLE MUST REMAIN WITHIN DIMENSIONS	CHECKED BY NMARTIN	DATE 2001/04/20	MATERIAL NO. SEE TABLES	DOCUMENT NO. SD-74697-002	SHEET NO. 2 OF 3

PART NUMBER	COLUMN	NUMBER OF SIGNAL PINS	NUMBER OF SHIELDS	A	B	M	Au (um) MIN THICKNESS	Sn/Pb (um) THICKNESS
74697-10*1	10	40	10	27.00	18.00	4.75	0.76	0.76-1.52
74697-10*6							1.27	
74697-25*1	25	100	25	57.00	48.00	6.25	0.76	
74697-25*6							1.27	
74697-05*7	5	20	5	17.00	8.00	6.25	1.27	
74697-10*2	10	40	10	27.00	18.00	6.25	0.76	
74697-10*7							1.27	
74697-25*2	25	100	25	57.00	48.00	6.25	0.76	
74697-25*7							1.27	
74697-10*3	10	40	10	27.00	18.00	4.25	0.76	
74697-10*8							1.27	
74697-25*3	25	100	25	57.00	48.00	4.25	0.76	
74697-25*8							1.27	
74697-10*4	10	40	10	27.00	18.00	5.15	0.76	
74697-10*9							1.27	
74697-25*4	25	100	25	57.00	48.00	5.15	0.76	
74697-25*9							1.27	

PART NUMBER	COLUMN	NUMBER OF SIGNAL PINS	NUMBER OF SHIELDS	A	B	M	Au (um) MIN THICKNESS	Sn (um) THICKNESS
74697-90*1	10	40	10	27.00	18.00	4.75	0.76	0.76-1.52
74697-90*6							1.27	
74697-85*1	25	100	25	57.00	48.00	6.25	0.76	
74697-85*6							1.27	
74697-95*7	5	20	5	17.00	8.00	6.25	1.27	
74697-90*2	10	40	10	27.00	18.00	6.25	0.76	
74697-90*7							1.27	
74697-85*2	25	100	25	57.00	48.00	6.25	0.76	
74697-85*7							1.27	
74697-90*3	10	40	10	27.00	18.00	4.25	0.76	
74697-90*8							1.27	
74697-85*3	25	100	25	57.00	48.00	4.25	0.76	
74697-85*8							1.27	
74697-90*4	10	40	10	27.00	18.00	5.15	0.76	
74697-90*9							1.27	
74697-85*4	25	100	25	57.00	48.00	5.15	0.76	
74697-85*9							1.27	

TIN/LEAD P/N CHART

LEAD FREE P/N CHART

ADDED SHEET:3 EC NO: UCP2006-1744 DRAWN: THOMAS 2006/02/17 CHKD: BINGHAM 2006/02/17 APPR: KULLVEY 2006/02/17 REV:	QUALITY SYMBOLS	GENERAL TOLERANCES (UNLESS SPECIFIED) mm INCH 4 PLACES ± --- ± --- 3 PLACES ± --- ± --- 2 PLACES ± --- ± --- 1 PLACE ± --- ± --- ANGULAR ±1/2°	DIMENSION STYLE	SCALE	DESIGN UNITS	THIRD ANGLE PROJECTION
			MM ONLY	2.5:1	METRIC	
				DRAWN BY: MQWANG DATE: 2001/04/17 CHECKED BY: NMARTIN DATE: 2001/04/20 APPROVED BY: CBIXLER DATE: 2001/04/20	TITLE: HSD SALES ASSEMBLY 5 ROW SHIELD END BACKPLANE MOLEX INCORPORATED	
			DRAFT WHERE APPLICABLE MUST REMAIN WITHIN DIMENSIONS SEE TABLES	MATERIAL NO. DOCUMENT NO. SD-74697-002 SHEET NO. 3 OF 3		