

NOTES:

1. MATERIAL: HOUSING -LIQUID CRYSTAL POLYMER (LCP) GLASS-FILLED, UL 94 V-0. COLOR: BLACK. SIGNAL & SHIELD -COPPER ALLOY.
2. FINISHES: SELECTIVE GOLD (Au) ON CONTACT AREA, SELECTIVE TIN/LEAD (Sn/Pb) ON TAILS, NICKEL (Ni) OVERALL.
3. THIS PART CONFORMS TO MOLEX PRODUCT SPECIFICATION PS-74031-999.
4. FOR MIXED CONTACT MATING LENGTHS CONSULT MOLEX FOR AVAILABILITY.
5. FOR SPECIFIC PART NUMBER AND MATING INFORMATION REFER TO SHEET 2.
6. PACKAGE PER PK-74696-003.
7. EITHER MARK PART NUMBER AND DATE CODE APPROXIMATELY WHERE SHOWN OR PLACE LABEL ON THE TUBE.

REVISED - PLATING NOTE EC NO: UCP2005-2161 DRWN: JBINGHAM 2005/04/07 CHKD: 2005/04/07 APPR: CBIXLER 2005/04/08	QUALITY SYMBOLS ▽ = 0 ▽ = 0	GENERAL TOLERANCES (UNLESS SPECIFIED)		SCALE 2.5:1	DESIGN UNITS METRIC	THIRD ANGLE PROJECTION	REVISE ON CAD ONLY	
				DIMENSION STYLE MM ONLY		TITLE		
		4 PLACES ± --- ± --- 3 PLACES ± --- ± --- 2 PLACES ± --- ± --- 1 PLACE ± --- ± ---		DRAWN BY DATE MQWANG 2001/10/10		HSD SALES ASSEMBLY ADVANCED MATE 5 ROW SHIELD END BACKPLANE		
		ANGULAR ±1/2°		CHECKED BY DATE NMARTIN 2001/10/12				
DRAFT WHERE APPLICABLE		APPROVED BY DATE		MATERIAL NO.	DOCUMENT NO.	SHEET NO.		
MUST REMAIN WITHIN DIMENSIONS		CBIXLER 2001/10/12		SEE SHEET 2	SD-74697-003	1 OF 2		
THIS DRAWING CONTAINS INFORMATION THAT IS PROPRIETARY TO MOLEX INCORPORATED AND SHOULD NOT BE USED WITHOUT WRITTEN PERMISSION								

10 | 9 | 8 | 7 | 6 | 5 | 4 | 3 | 2 | 74697

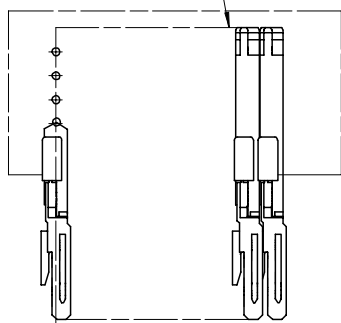
P/N 74697-()	-**0*	-**1*	-**2*	-**3*	-**4*	-**5*	-**6*	-**7*	-**8*
KEYING PIN ORIENTATION									

74697-****

COLUMN CODE
11 OR 26

CONTACT LOAD
(PIN LENGTH)
1 & 6 = 4.75
2 & 7 = 6.25
3 & 8 = 4.25
4 & 9 = 5.15

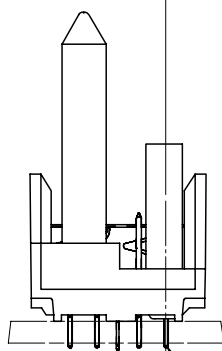
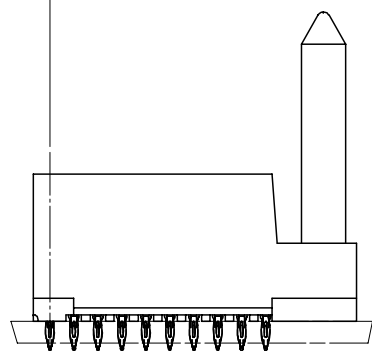
DAUGHTERCARD
CONNECTOR SIDE



0.41
SIGNAL TO SIGNAL

0.75 TOP
DAUGHTERCARD
PCB TO CENTER
OF ROW A

PART NUMBER	COLUMN	NUMBER OF SIGNALS	NUMBER OF SHIELDS	A	B	M	Au (um) THICKNESS	Sn (um) THICKNESS
74697-11*1	10	40	10	27.00	18.00	4.75	0.76	0.76-1.52
74697-11*6							1.27	
74697-26*1	25	100	25	57.00	48.00		0.76	
74697-26*6							1.27	
74697-11*2	10	40	10	27.00	18.00	6.25	0.76	
74697-11*7							1.27	
74697-26*2	25	100	25	57.00	48.00		0.76	
74697-26*7							1.27	
74697-11*3	10	40	10	27.00	18.00	4.25	0.76	
74697-11*8							1.27	
74697-26*3	25	100	25	57.00	48.00		0.76	
74697-26*8							1.27	
74697-11*4	10	40	10	27.00	18.00	5.15	0.76	
74697-11*9							1.27	
74697-26*4	25	100	25	57.00	48.00		0.76	
74697-26*9							1.27	



ROW A

SEE SHEET 1 EC NO: UCP2005-2161 DRWN: JINGHAM 2005/04/07 CHKD: 2005/04/07 APPR: CBIXLER 2005/04/08	QUALITY SYMBOLS	GENERAL TOLERANCES (UNLESS SPECIFIED)	SCALE 2.5:1	DESIGN UNITS METRIC	THIRD ANGLE PROJECTION	REVISE ON CAD ONLY
	DESCRIPTION	mm INCH	DIMENSION STYLE MM ONLY	TITLE	HSD SALES ASSEMBLY ADVANCED MATE 5 ROW SHIELD END BACKPLANE	
REV	DESCRIPTION	4 PLACES ± --- ± --- 3 PLACES ± --- ± --- 2 PLACES ± --- ± --- 1 PLACE ± --- ± ---	DRAWN BY DATE MQWANG 2001/10/10	CHECKED BY DATE NMARTIN 2001/10/12	MOLEX INCORPORATED	
		ANGULAR ±1/2°	APPROVED BY DATE CBIXLER 2001/10/12	MATERIAL NO. SEE TABLE	DOCUMENT NO. SD-74697-003	SHEET NO. 2 OF 2
		DRAFT WHERE APPLICABLE MUST REMAIN WITHIN DIMENSIONS	THIS DRAWING CONTAINS INFORMATION THAT IS PROPRIETARY TO MOLEX INCORPORATED AND SHOULD NOT BE USED WITHOUT WRITTEN PERMISSION			

9 | 8 | 7 | 6 | 5 | 4 | 3 | 2 | 1