

PLEASE CHECK WWW.MOLEX.COM FOR LATEST PART INFORMATION

Part Number: [0751972503](#)
Status: **Active**
Overview: vhdm_hsd
Description: 2.00mm (.079") Pitch VHDM® Lite Board-to-Board Backplane Header, Vertical, 8-Row, Open Signal Module, 200 circuits, Pin Length 4.25mm (.167")

Documents:

[Drawing \(PDF\)](#) [RoHS Certificate of Compliance \(PDF\)](#)
[Product Specification PS-74031-999 \(PDF\)](#)

General

Product Family	Backplane Connectors
Series	75197
Application	Backplane
Application Tooling Documents	Tooling Manual
Comments	Open Header
Component Type	PCB Header
Overview	vhdm_hsd
Product Name	VHDM Lite®
Style	N/A

Physical

Circuits (Loaded)	200
Circuits (maximum)	200
Color - Resin	Black
Durability (mating cycles max)	200
First Mate / Last Break	No
Guide to Mating Part	No
Keying to Mating Part	None
Material - Metal	High Performance Alloy (HPA)
Material - Plating Mating	Gold
Material - Plating Termination	Tin-Lead
Material - Resin	High Temperature Thermoplastic
Number of Columns	25
Number of Pairs	Open Pin Field
Number of Rows	8
Orientation	Vertical
PCB Retention	Yes
PCB Thickness Recommended (in)	0.070 In
PCB Thickness Recommended (mm)	1.80 mm
Packaging Type	Tube
Pitch - Mating Interface (in)	0.079 In
Pitch - Mating Interface (mm)	2.00 mm
Plating min: Mating (µin)	30
Plating min: Mating (µm)	0.75
Plating min: Termination (µin)	30
Plating min: Termination (µm)	0.75
Polarized to PCB	Yes
Stackable	Yes
Surface Mount Compatible (SMC)	Yes
Temperature Range - Operating	-55°C to +105°C
Termination Interface: Style	Through Hole - Compliant Pin

Electrical

Current - Maximum per Contact	1A
-------------------------------	----

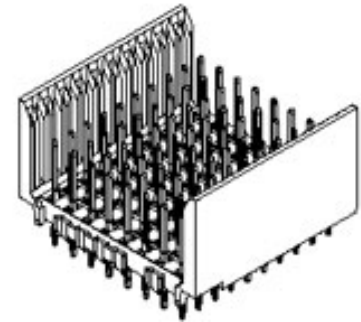


image - Reference only

Series

EU RoHS

RoHS Compliant by Exemption

REACH SVHC

Contains SVHC: No

Halogen-Free

Status

Not Reviewed

China RoHS



Pb

Need more information on product environmental compliance?

Email productcompliance@molex.com
 For a multiple part number RoHS Certificate of Compliance, [click here](#)

Please visit the [Contact Us](#) section for any non-product compliance questions.

Search Parts in this Series

[75197Series](#)

Mates With

[75191](#) VHDM® Lite-Series Board-to-Board Daughtercard

Use With

Daughtercard Modules

Application Tooling | FAQ

Tooling specifications and manuals are found by selecting the products below. Crimp Height Specifications are then contained in the Application Tooling Specification document.

Global

Description

Product #

VHDM® Signal Pin Inserter Repair Tool	0622015700
VHDM® Insertion Module for Standard Shield Signal Header, 8 Row by	0622020210

Data Rate	622.0 Mbps
Real Signals (per 25mm)	72
Voltage - Maximum	120V AC (RMS)/DC

25 Wide, 50.00mm (1.97")

Material Info

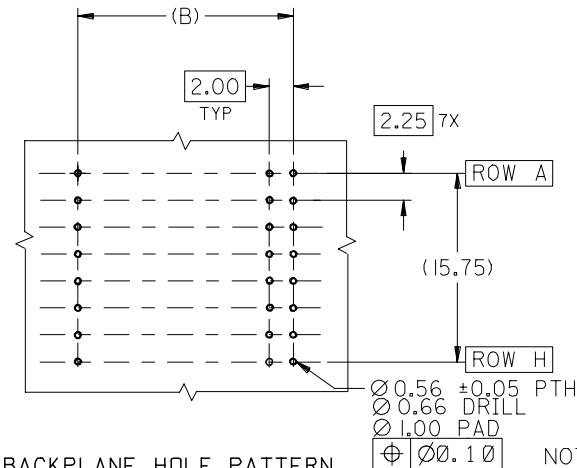
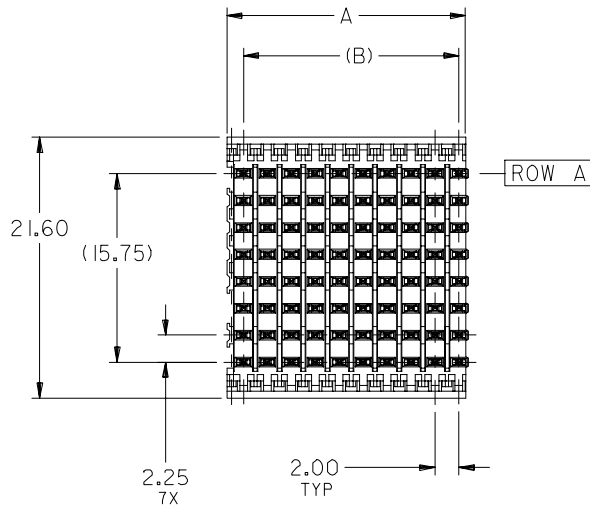
Reference - Drawing Numbers

Packaging Specification	PK-74060-003
Product Specification	PS-74031-999
Sales Drawing	SD-75197-001

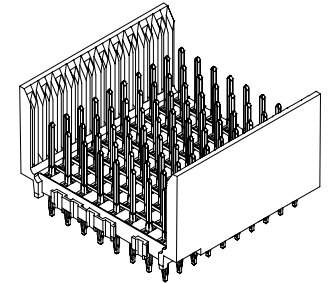
VHDM and Very High Density Metric are trademarks of Amphenol Corporation

This document was generated on 05/28/2010

PLEASE CHECK WWW.MOLEX.COM FOR LATEST PART INFORMATION

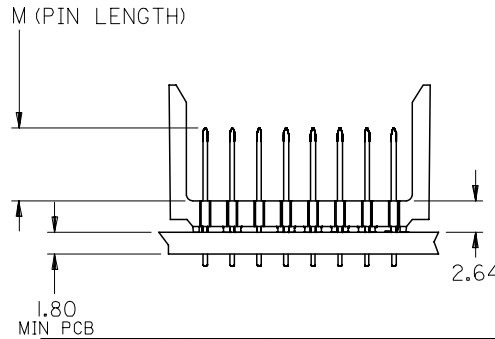
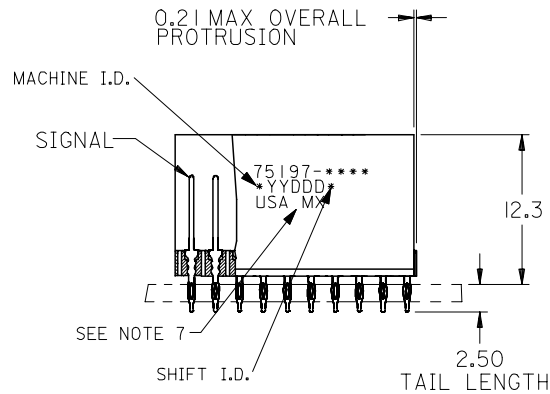


BACKPLANE HOLE PATTERN
RECOMMENDED DIMENSION

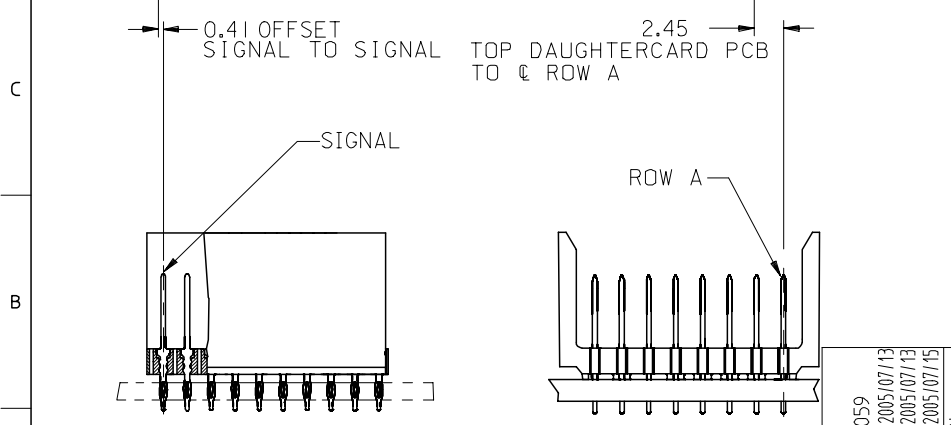
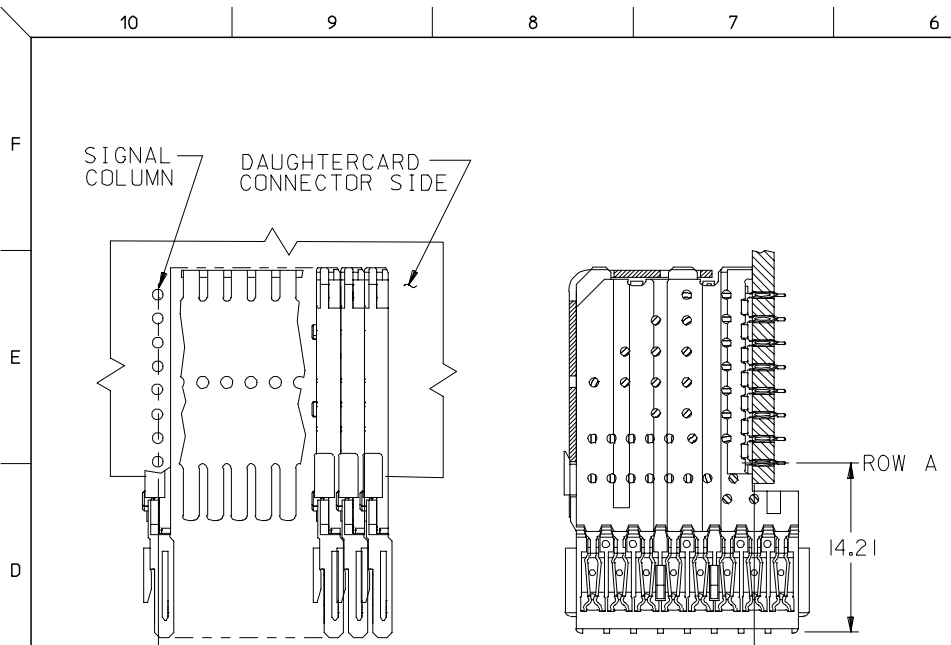


NOTES:

- MATERIALS:
HOUSING - LIQUID CRYSTAL POLYMER (LCP),
GLASS-FILLED, UL 94V-0, COLOR: BLACK
SIGNAL PIN - COPPER ALLOY
- FINISHES:
CONTACT AREA: SELECTIVE GOLD (Au)
PCB TAILS: SELECTIVE TIN/LEAD (Sn/Pb)
OR SELECTIVE MATTE TIN (Sn)
NICKEL (Ni) OVERALL
- THIS PART CONFORMS TO MOLEX PRODUCT
SPECIFICATION PS-74031-999
- FOR MIXED CONTACT LENGTHS CONSULT
MOLEX FOR AVAILABILITY
- FOR SPECIFIC MATERIAL NUMBERS & MATING
INFORMATION REFER TO SHEET 2
- PACKAGE PER PK-74060-003
- EITHER MARK PART WITH PART NUMBER & DATE
CODE APPROXIMATELY WHERE SHOWN OR PLACE
LABEL ON THE TUBE.



ADD LEADFREE PINS EC NO: UCP2006-0059 DRWN:KMLVEY 2005/07/13 CHKD: 2005/07/13 APPR: SREED 2005/07/15	QUALITY SYMBOLS ▽=0 ▽=0	GENERAL TOLERANCES (UNLESS SPECIFIED)		DIMENSION STYLE MM ONLY		SCALE 2.5:1	DESIGN UNITS METRIC	THIRD ANGLE PROJECTION		
		mm	INCH	DRAWN BY MBANDURA		DATE 2002/10/07	TITLE VHDM LITE 8 ROW OPEN END BACKPLANE SALES ASSEMBLY			
		4 PLACES ± ---	± ---	CHECKED BY NMARTIN		DATE 2002/10/07				
		3 PLACES ± ---	± ---	APPROVED BY CBIXLER		DATE 2002/10/07	MOLEX INCORPORATED			
2 PLACES ± ---	± ---	ANGULAR ±1/2°		MATERIAL NO. SEE SHEET 2		DOCUMENT NO. SD-75197-001		SHEET NO. 1 OF 2		
1 PLACE ± ---	± ---	DRAFT WHERE APPLICABLE MUST REMAIN WITHIN DIMENSIONS		THIS DRAWING CONTAINS INFORMATION THAT IS PROPRIETARY TO MOLEX INCORPORATED AND SHOULD NOT BE USED WITHOUT WRITTEN PERMISSION						



PART NUMBER	COLUMN	NUMBER OF SIGNAL PIN	NUMBER OF SHIELD	A	B	M	Au (um) THICKNESS	Sn (um) THICKNESS
75197-*001	10	80	0	20.00	18.00	4.75	0.76	0.76-1.52
75197-*501	25	200	0	50.00	48.00		0.76	
75197-*002	10	80	0	20.00	18.00	6.25	0.76	
75197-*502	25	200	0	50.00	48.00		0.76	
75197-*003	10	80	0	20.00	18.00	4.25	0.76	
75197-*503	25	200	0	50.00	48.00		0.76	
75197-*004	10	80	0	20.00	18.00	5.15	0.76	
75197-*504	25	200	0	50.00	48.00		0.76	

MATERIAL NUMBER ASSIGNMENT

75197- ** **
 SEE TABLE
 NUMBER OF COLUMNS/PLATING
 10 = 10 COLUMN TIN/LEAD
 25 = 25 COLUMN TIN/LEAD
 90 = 10 COLUMN MATTE TIN
 85 = 25 COLUMN MATTE TIN

SEE SHEET 1
 EC NO: UCP2006-0059
 DRWN: KMULVEY 2005/07/13
 CHKD: 2005/07/13
 APPR: SREED 2005/07/15

QUALITY SYMBOLS	DESCRIPTION
▽=0	
▽=0	

GENERAL TOLERANCES (UNLESS SPECIFIED)	
	ANGULAR ±1/2°
4 PLACES	± ---
3 PLACES	± ---
2 PLACES	± ---
1 PLACE	± ---

DIMENSION STYLE	
MM ONLY	
DRAWN BY	DATE
MBANDURA	2002/10/07
CHECKED BY	DATE
NMARTIN	2002/10/07
APPROVED BY	DATE
CBIXLER	2002/10/07

SCALE	DESIGN UNITS	THIRD ANGLE PROJECTION
2.5:1	METRIC	☉
TITLE		
VHM LITE 8 ROW OPEN END BACKPLANE SALES ASSEMBLY		
MATERIAL NO.		SHEET NO.
SEE CHART		2 OF 2
DOCUMENT NO.		
SD-75197-001		

THIS DRAWING CONTAINS INFORMATION THAT IS PROPRIETARY TO MOLEX INCORPORATED AND SHOULD NOT BE USED WITHOUT WRITTEN PERMISSION