

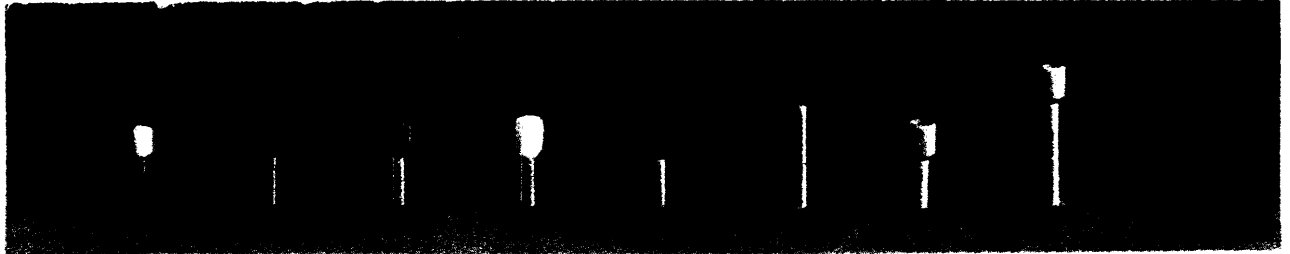



# DZ5-cable ends

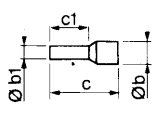
Farnell  
Technical  
Data  
Service

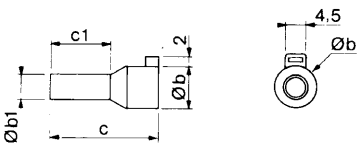
Order Code 177-969 TO 177-974

Insulated cable ends (without marking flag)  
0.5mm<sup>2</sup> to 4mm<sup>2</sup>



Insulated cable ends C.S.A. of conductor in mm <sup>2</sup>	Unit reference	Unit of sale 	Colour	FEC PART NUMBER
0.5	DZ5-CE005	100	White	177-969
0.75	DZ5-CE007	100	Blue	177-970
1	DZ5-CE010	100	Red	177-971
1.5	DZ5-CE015	100	Black	177-972
2.5	DZ5-CE025	100	Grey	177-973
4	DZ5-CA042	100	Orange	177-974

Dimensions 0.5mm <sup>2</sup> To 2.5mm <sup>2</sup>				
Insulated				
				
DZ5- CE005	b	b1	c	c1
CE007	3	1.4	13	8
CE010	3.2	1.5	13.5	8
CE015	3.5	1.8	13.5	8
CE025	4	2	13.5	8
CE025	4.7	2.5	14.5	8

Dimensions 4mm <sup>2</sup>				
DZ5-CA042 and CA253				
				
DZ5-CA042	Øb	Øb1	c	c1
DZ5-CA042	5.9	3.3	17.3	11.5

Farnell Electronic Components Limited

Sales (0532) 636311, Technical (0532) 799123, Dataline (0532) 310160, Fax (0532) 633411, Telex 55147