

Customer Information Sheet

DRAWING No.: M80-458XX98 SHT 2 OF 2

IF IN DOUBT - ASK

©

NOT TO SCALE

THIRD ANGLE PROJECTION

ALL DIMENSIONS IN mm

SPECIFICATION:

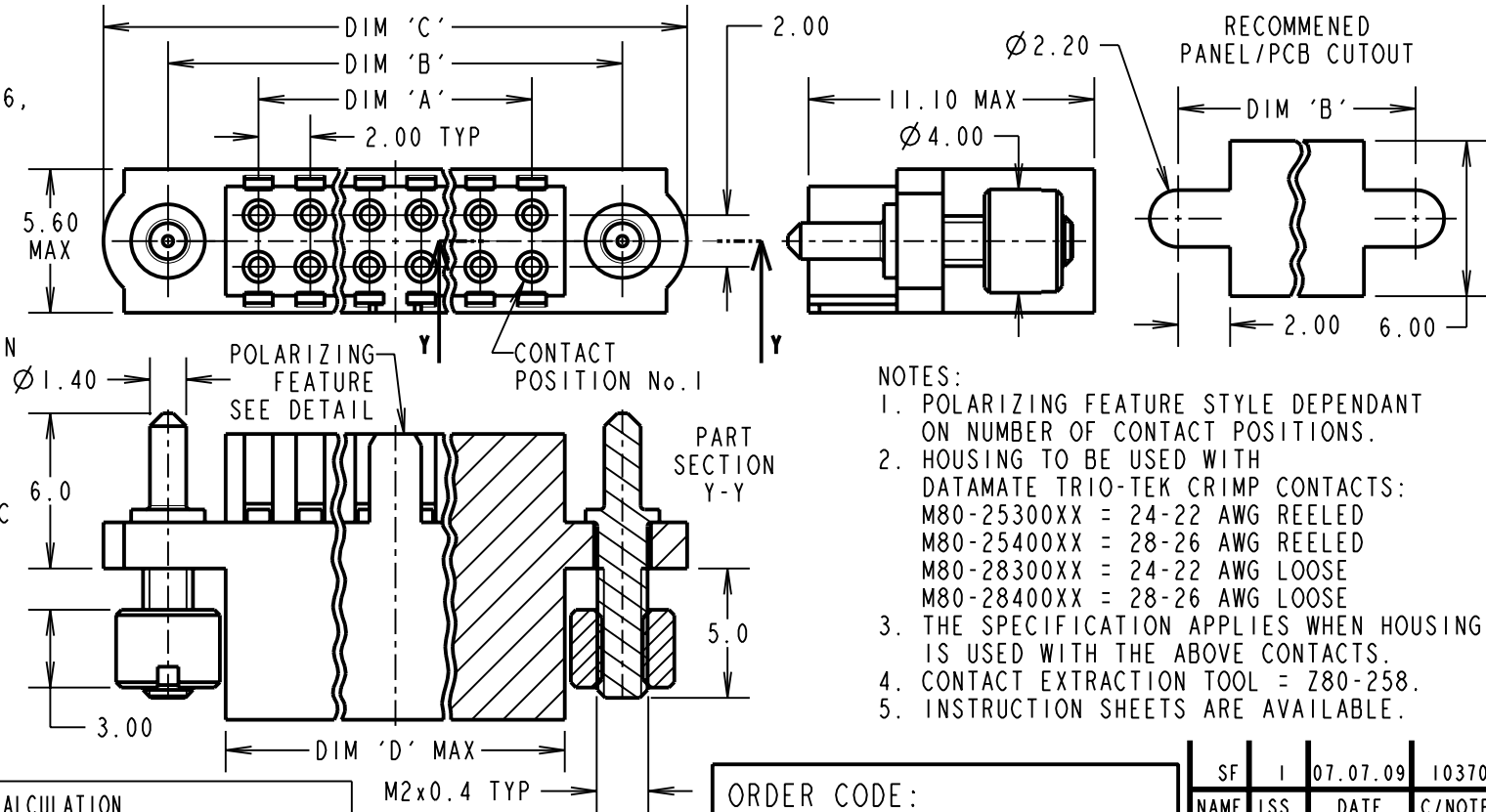
MATERIAL:
 HOUSING = GLASS-FILLED POLYAMIDE 46,
 UL94V-0, BLACK
 GUIDE, NUT = STAINLESS STEEL

ELECTRICAL:
 CURRENT RATING AT 25°C = 3.0A MAX
 CURRENT RATING AT 85°C = 2.2A MAX
 WORKING VOLTAGE = 120V AC/DC
 VOLTAGE PROOF = 360V AC/DC
 CONTACT RESISTANCE = 25 mΩ MAX
 INSULATION RESISTANCE = 100 MΩ MIN

MECHANICAL:
 DURABILITY = 500 OPERATIONS
 INSERTION FORCE = 2.8N MAX
 WITHDRAWAL FORCE = 0.2N MIN

ENVIRONMENTAL:
 TEMPERATURE RANGE = -55°C TO +125°C

PACKING:
 BAG
 FOR COMPLETE SPECIFICATION,
 SEE COMPONENT SPECIFICATION
 C040XX (LATEST ISSUE)



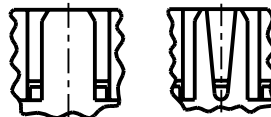
NOTES:

- POLARIZING FEATURE STYLE DEPENDANT ON NUMBER OF CONTACT POSITIONS.
- HOUSING TO BE USED WITH DATAMATE TRIO-TEK CRIMP CONTACTS:
 M80-25300XX = 24-22 AWG REELED
 M80-25400XX = 28-26 AWG REELED
 M80-28300XX = 24-22 AWG LOOSE
 M80-28400XX = 28-26 AWG LOOSE
- THE SPECIFICATION APPLIES WHEN HOUSING IS USED WITH THE ABOVE CONTACTS.
- CONTACT EXTRACTION TOOL = Z80-258.
- INSTRUCTION SHEETS ARE AVAILABLE.

DIMENSION	CALCULATION
DIM 'A'	TOTAL No. OF CONTACT POSITIONS - 2
DIM 'B'	TOTAL No. OF CONTACT POSITIONS + 5
DIM 'C'	TOTAL No. OF CONTACT POSITIONS + 10
DIM 'D'	TOTAL No. OF CONTACT POSITIONS + 0.59
EXAMPLE: CONNECTOR WITH 20 CONTACT POSITIONS, M80-4582098	
DIM 'A' = 18.00mm, DIM 'B' = 25.00mm, DIM 'C' = 30.00mm	

POLARIZING FEATURE
 DETAIL
 SEE NOTE 1

STYLE A STYLE B



ORDER CODE:
M80-458XX98

TOTAL No. OF CONTACT POSITIONS: _____
 04 TO 50 (EVEN NUMBERS ONLY)

PLEASE CONTACT
 datamate@harwin.com
 FOR CURRENT AVAILABILITY

SF	1	07.07.09	10370
NAME	ISS.	DATE	C/NOTE
APPROVED:		SF	
CHECKED:		MGP	
DRAWN:		B. M. KENT	
CUSTOMER REF.:			
ASSEMBLY DRG:			

HARWIN

HARWIN USA
 TEL: 603 893 5376
 FAX: 603 893 5396
 mis@harwin.com

HARWIN Europe (UK)
 TEL: 023 9231 4545
 FAX: 023 9231 4590
 mis@harwin.co.uk

HARWIN Asia
 TEL: +65 6 779 4909
 FAX: +65 6 779 3868
 mis@harwin.com.sg

THIS DRAWING AND ANY INFORMATION OR DESCRIPTIVE MATTER SET OUT HEREON ARE CONFIDENTIAL AND COPYRIGHT PROPERTY OF THE HARWIN GROUP AND MUST NOT BE DISCLOSED, LOANED, COPIED OR USED FOR MANUFACTURING, TENDERING OR FOR ANY OTHER PURPOSE WITHOUT THEIR WRITTEN PERMISSION.

TOLERANCES
 X. = ±1mm
 X.X = ±0.25mm
 X.XX = ±0.10mm
 X.XXX = ±0.01mm
 ANGLES = ±5°
 UNLESS STATED

MATERIAL:
 SEE ABOVE

FINISH:

S/AREA: mm²

TITLE: DATAMATE TRIO-TEK FEMALE CRIMP HOUSING WITH GUIDE AND BOARD MOUNT

DRAWING NUMBER:
M80-458XX98

SHT 2 OF 2