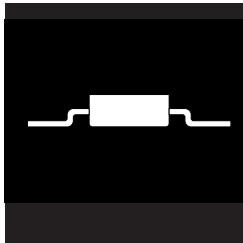


POWER MOSFET IN HERMETIC ISOLATED SURFACE MOUNT PACKAGE



**100V Thru 500V, Up To 10 Amp,
 N-Channel Power MOSFETs In A
 Hermetic Surface Mount Package**

FEATURES

- Isolated Hermetic Metal Package
- Fast Switching, Low Drive Current
- Ease Of Paralleling For Added Power
- Low $R_{DS(on)}$
- Available Screened To MIL-S-19500, TX, TXV And S Levels

DESCRIPTION

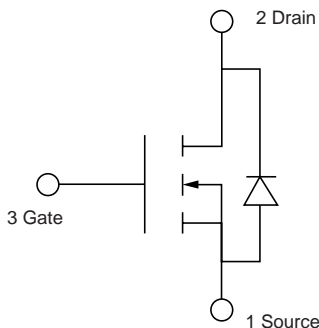
This series of hermetically packaged surface mount products feature the latest advanced MOSFET and packaging technology. They are ideally suited for Military requirements where small size, high performance and high reliability are required, and in surface mount applications such as switching power supplies, motor controls, inverters, choppers, audio amplifiers and high energy pulse circuits.

MAXIMUM RATINGS @ $T_C = 25^\circ C$

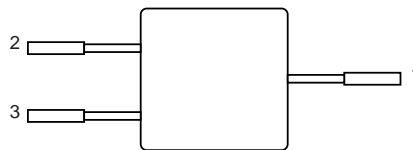
PART NUMBER	V_{DS}	$R_{DS(on)}$	I_D
OM6038SM	100V	.20	14A
OM6039SM	200V	.44	9A
OM6040SM	400V	1.05	5A
OM6041SM	500V	1.60	4A

3.1

SCHEMATIC



PIN CONNECTION



Pin 1: Source
 Pin 2: Drain
 Pin 3: Gate
 Case: Isolated

For additional test conditions and limits, see Sect. 3.5, pg. 3.5 - 85.