

## OCXO SERIES 3000

### ■ FEATURES

**Small OCXO in EURO package**  
**Frequencies up to 160 MHz**

### ■ ELECTRICAL PERFORMANCE

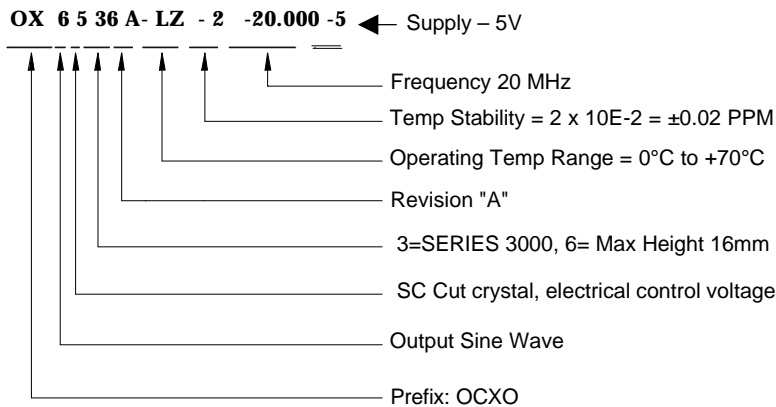
PARAMETER	OCXO SERIES 3000	
	AT CUT CRYSTAL	SC CUT CRYSTAL
Supply voltage, nom.	12V, 5V $\pm 5\%$ Standard (3.3V Optional)	
Power dissipation steady state	1.5 Watt Max.	
Heat up power	3 Watt Max	
Heat up time.	3 min Max	
Frequency range	1 To 160 MHz Standard	
Frequency Adjustment	$\pm 10$ PPM Min (0 to 5V)	$\pm 0.7$ PPM Min (0 to 5V)
Freq. stability vs. temperature LX: 0°C to 60°C FZ: -30°C to 70°C D3: -40°C to 85°	$\pm 0.05$ PPM $\pm 0.1$ PPM $\pm 0.25$ PPM	$\pm 0.01$ PPM $\pm 0.02$ PPM $\pm 0.03$ PPM
	(Standard, contact factory for different temp ranges and stabilities)	
Freq. stability vs. supply changes	$\pm 0.015$ PPM Max for $\pm 5\%$ Change	$\pm 0.010$ PPM Max for $\pm 5\%$ Change
Freq. stability vs. load changes	$\pm 0.01$ PPM Max for $\pm 5\%$ Change	$\pm 0.005$ PPM Max for $\pm 5\%$ Change
Long term stability (Aging)	$\pm 4$ PPM Max for 10 Years $\pm 0.005$ PPM/Day Max.	$\pm 1$ PPM Max for 10 Years $\pm 0.002$ PPM/Day Max.
Output	HCMOS/TTL/Sine 0 to +7dBm (Low voltage CMOS Available)	
Harmonics, Sub Harmonics	-30dBc(Sine Output)	
Spurious	-75dBc(Sine Output)	
Duty cycle	40/60% to 60/40%(HCMOS)	
Rise / fall time	10nS Max. (HCMOS, 10%~90%Vout, 90%~10%Vout)	
Short term Stability (10MHz)	1 E-10 /Sec	5 E-11 /Sec
Phase Noise (Sine Output 10MHZ – under static conditions)	Offset      Phase Noise 10Hz        -90 dBc/Hz 100Hz       -125 dBc/Hz 1000Hz      -135 dBc/Hz 10000Hz     -150 dBc/Hz	Offset      Phase Noise 10Hz        -110 dBc/Hz 100Hz       -130 dBc/Hz 1000Hz      -140 dBc/Hz 10000Hz     -150 dBc/Hz

Note: All Typical parameters for a 10MHz output and 5V Supply, for different frequencies consult factory

## ■ HOW TO ORDER (PART NUMBER)

Prefix	Output Type	Cut Type	Series	Revision	Temperature Range	Stability	Frequency	Supply Voltage
OX	2:HCMOS 4:LVCMOS 6:SINE	0:AT (No Vcontrol) 1: SC (No Vcontrol) 4: AT (Elect Vcontrol) 5: SC (Elect Vcontrol)	3X:3000 34: Height= 0.5"/12.7mm 36: Height= 0.63"/16mm 37: Height= 1"/25.4mm 39: Height= 0.75"/19mm	A	First letter Lowest Temperature, Second letter Highest Temperature: From A=-55°C to Z=+70°C, Then: 1=+75°C, 2=+80°C, 3=+85°C... in 5°C steps Example: LZ: +0°C to +70°C LX: +0°C to +60°C FZ: -30°C to +70°C D3: -40°C to +85°C	Value x 10E-2 in PPM  Example  28= 0.28PPM  10= 0.1PPM	In MHZ	3.3: 3.3V 5; 5V 12; 12V 15; 15V

Example:



## ■ MECHANICAL SPECIFICATION

