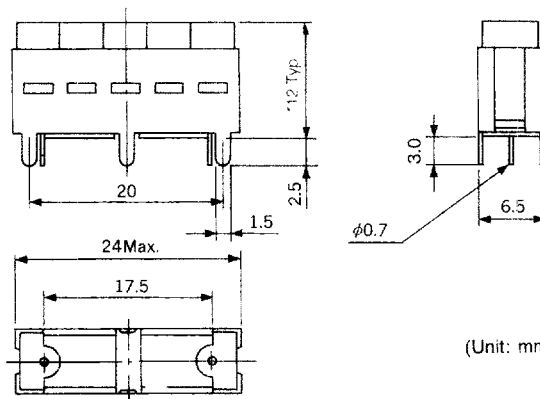
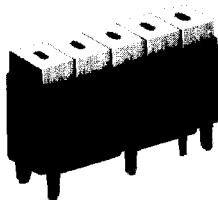


TYPE 6DFSD (5 Pole Type)

Frequency Range: 800-1500MHz

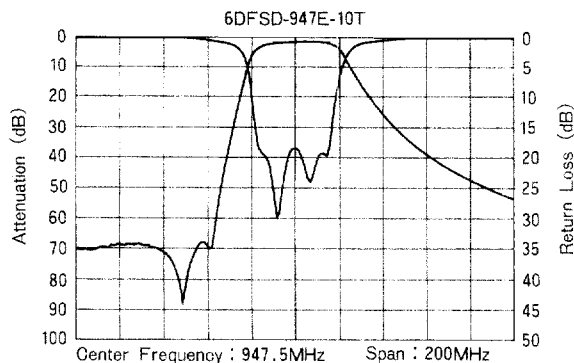
Temperature Range: -25°C to +85°C



(Unit: mm)

* Depends on center frequency

Characteristics



STANDARD DEVICES SELECTION GUIDE

The Part Numbers shown in the table below are standard devices which are readily available. TOKO will design and manufacture modified and custom devices with specific characteristics to meet your requirements. If you do not find the device for your application in this catalog, please contact our sales office or representative office.

TYPE 6DFSD: 5 Pole Designs

TOKO Part Number	Center Freq. (MHz)	Bandwidth (F ₀ ±MHz)	Insertion Loss (dB max.)	Ripple in BW (dB max.)	V.S.W.R. in BW (max.)	Selectivity dB min. @ MHz	Application
6DFSD-881E-10	881.5	±12.5	3.5	1.2	2.0	24 (F ₀ ±32.5)	Cellular—E-AMPS
6DFSD-881E-12T	881.5	±12.5	3.5	1.2	1.7	52 (824-849)	Cellular—E-AMPS
6DFSD-902E-10	902.5	±12.5	3.5	1.2	1.7	25 (F ₀ ±32.5)	Cellular—NMT/GSM
6DFSD-947E-11	947.5	±12.5	3.5	1.2	1.7	25 (F ₀ ±32.5)	Cellular—NMT/GSM
6DFSD-947E-10T	947.5	±12.5	3.5	1.5	1.7	53 (890-915)	Cellular—NMT/GSM
6DFSD-1030C-10	1030.0	± 7.5	3.0	0.7	2.0	60 (F ₀ ±60)	TCAS
6DFSD-1090C-10	1090.0	± 7.5	3.5	1.0	2.0	60 (F ₀ ±60)	TCAS