

2.0 AMP GLASS PASSIVATED BRIDGE RECTIFIER

KBP PACKAGE

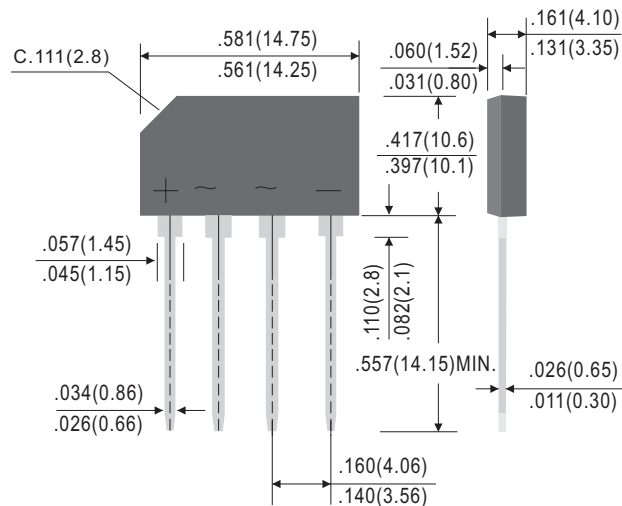
Pb Free Product

FEATURES

- * Ideal for printed circuit board
- * Surge overload rating: 60 Amperes peak
- * Mounting position: Any
- * Weight: 0.15 grams
- * RoHS product for packing code suffix "G"
- Halogen free product for packing code suffix "H"

MECHANICAL DATA

- * UL listed the recognized component directory, file #E195711
- * Epoxy: Device has UL flammability classification 94V-O



Dimensions in inches and (millimeters)

MAXIMUM RATINGS AND ELECTRICAL CHARACTERISTICS

Ratings at 25°C ambient temperature unless otherwise specified.

Single phase half wave, 60Hz, resistive or inductive load.

For capacitive load, derate current by 20%

RATINGS	SYMBOL	KBP201G	KBP202G	KBP203G	KBP204G	KBP206G	KBP208G	UNIT
Marking Code		KBP201G	KBP202G	KBP203G	KBP204G	KBP206G	KBP208G	
Maximum Recurrent Peak Reverse Voltage	V _{RRM}	50	100	200	400	600	800	Volts
Maximum RMS Voltage	V _{RMS}	35	70	140	280	420	560	Volts
Maximum DC Blocking Voltage	V _{DC}	50	100	200	400	600	800	Volts
Maximum Average Forward Rectified Current at T _c = 125°C	I _o	2.0						Amps
Peak Forward Surge Current 8.3 ms single half sine-wave superimposed on rated load (JEDEC method)	I _{FSM}	60						Amps
Typical Thermal Resistance (Note 2)	R _{θJA}	32 / 13						°C/W
Typical Junction Capacitance (Note 1)	C _J	25						pF
Operating Temperature Range	T _J	-55 to +150						°C
Storage Temperature Range	T _{sTg}	-55 to +150						°C

CHARACTERISTICS	SYMBOL	KBP201G	KBP202G	KBP203G	KBP204G	KBP206G	KBP208G	UNIT
Maximum Forward Voltage at 2.0A DC	V _F	1.10						Volts
Maximum Average Reverse Current at Rated DC Blocking Voltage	I _R	5.0						μAmps
	@T _c =100°C	500						

NOTES :1. Measured at 1 MHz and applied reverse voltage of 4.0 volts.

2. Thermal resistance from junction to ambient and from junction to lead mounted on P.C.B with 0.47 x 0.47"(12 x 12mm)copper pads.

2.0 AMP GLASS PASSIVATED BRIDGE RECTIFIER
KBP PACKAGE

RATING AND CHARACTERISTIC CURVES

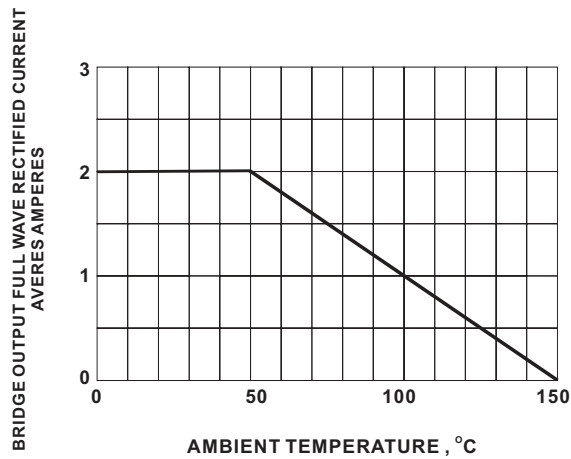


Fig.1 DERATING CURVE FOR OUTPUT RECTIFIED CURRENT

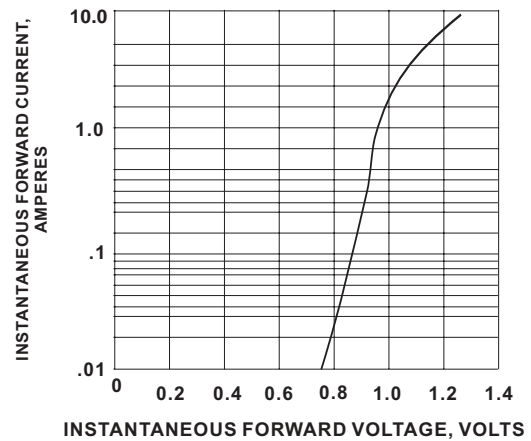


Fig.2 TYPICAL INSTANTANEOUS FORWARD CHARACTERISTICS

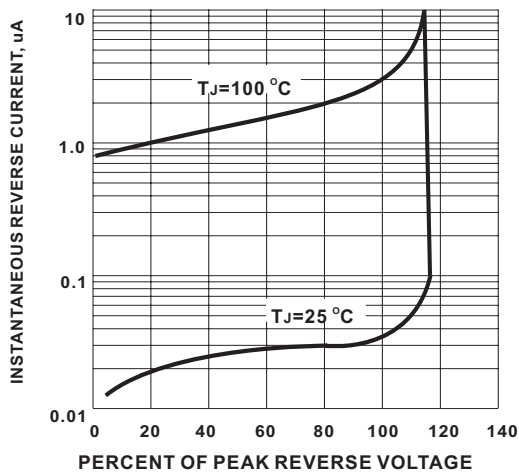


Fig.3 TYPICAL PEAK REVERSE CHARACTERISTICS

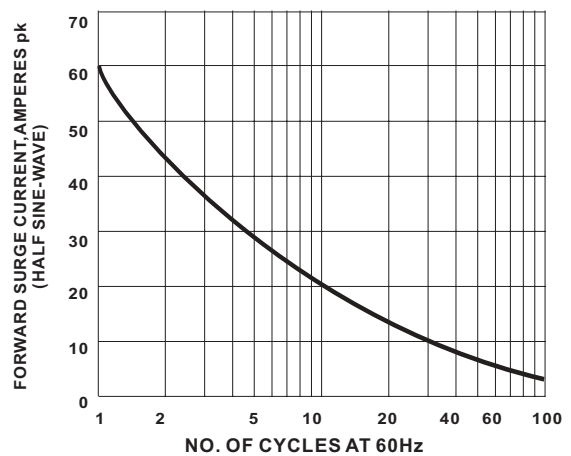


Fig.4 MAXIMUM NON-REPETITIVE PEAK FORWARD SURGE CURRENT