

VDSL TRANSFORMER
P/N: VD-3733 DATA SHEET



Bothhand USA. e-mail: sales@bothhandusa.com http://www.bothhand.com

Feature



- Designed to meet IR 235°C Peak Requirement.
- Operating Temperature: -10°C to +60°C.
- Storage Temperature: -25°C to +75°C.

Electrical Specifications @ 25°C

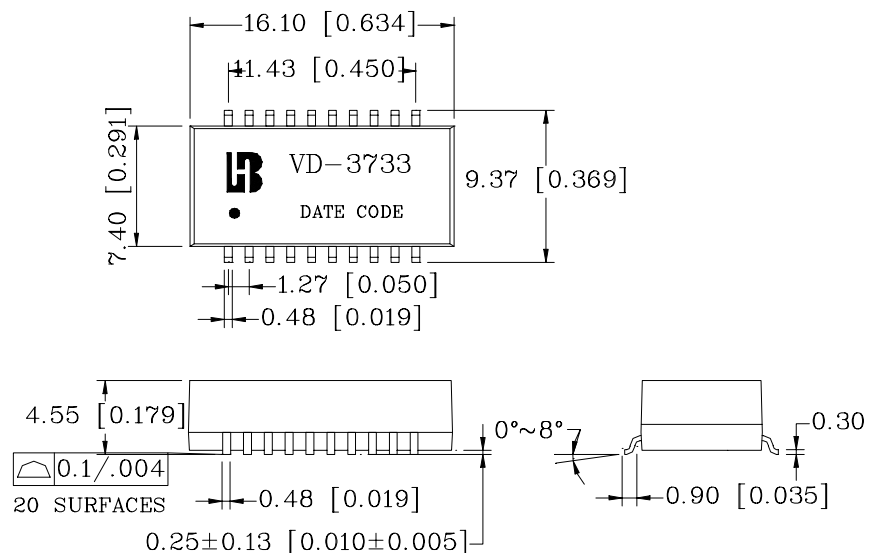
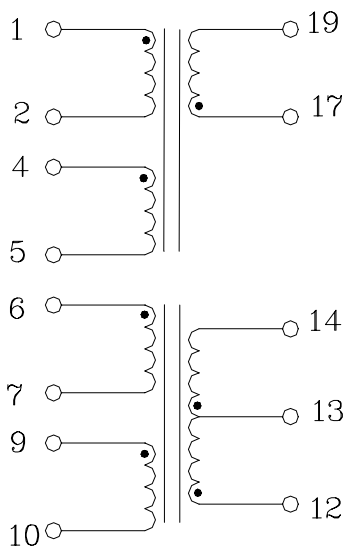
Part Number	Turn Ration		DCR (Ω Max)	Insertion Loss (dB Max)	Return Loss (dB Min)	
	TX	RX		300K-30MHz	300K-1MHz	1-30MHz
VD-3733	2:1	1:1	0.5	-0.5	-13.5	-15

Additional Specifications

Part Number	Longitudinal Balance (dB Min)			Isolation Voltage (Vrms)
	300K-1 MHz	1M-10MHz	10M-30KHz	
VD-3733	-50	-40	-20	2000

Schematic

Mechanical



Units: mm [Inches] Tolerance: xx.x0±0.25 [0.010]
 0.xx±0.05 [0.002]