

CD4008BM/CD4008BC 4-Bit Full Adder

General Description

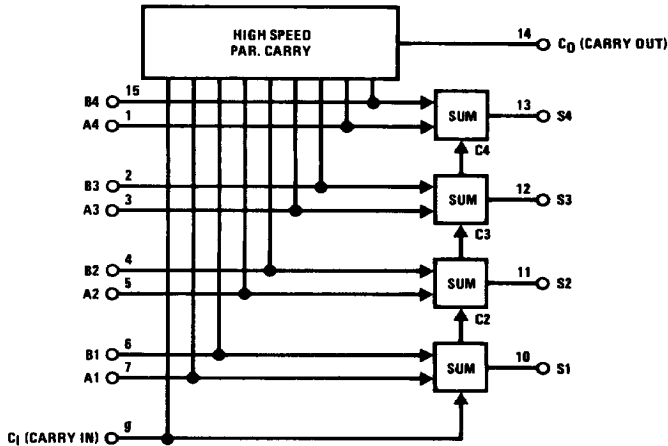
The CD4008B types consist of four full-adder stages with fast look-ahead carry provision from stage to stage. Circuitry is included to provide a fast "parallel-carry-out" bit to permit high-speed operation in arithmetic sections using several CD4008B's. CD4008B inputs include the four sets of bits to be added, A1 to A4 and B1 to B4, in addition to the "Carry in" bit from a previous section. CD4008B outputs include the four sum bits, S1 and S4, in addition to the high-speed "parallel-carry-out" which may be utilized at a succeeding CD4008B section.

All inputs are protected from damage due to static discharge by diode clamps to V_{DD} and GND.

Features

- Wide supply voltage range 3.0V to 15V
- High noise immunity 0.45 V_{CC} (typ.)
- Low power TTL compatibility Fan out of 2 driving 74L or 1 driving 74LS
- 4 sum outputs plus parallel look-ahead carry-output
- Quiescent current specified to 15V
- Maximum input leakage of 1 μA at 15V (full package temperature range)

Block Diagram

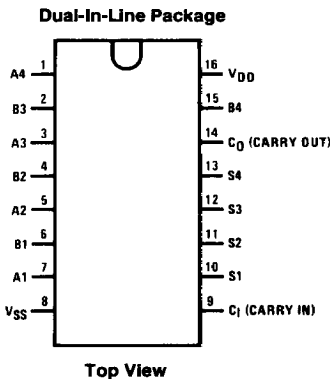


TL/F/5944-1

Truth Table

A_i	B_i	C_i	C_0	SUM
0	0	0	0	0
1	0	0	0	1
0	1	0	0	1
1	1	0	1	0
0	0	1	0	1
1	0	1	1	0
0	1	1	1	0
1	1	1	1	1

Connection Diagram



TL/F/5944-2

Order Number CD4008B*

*Please look into Section 8, Appendix D for availability of various package types.

Absolute Maximum Ratings (Notes 1 & 2)

If Military/Aerospace specified devices are required, contact the National Semiconductor Sales Office/Distributors for availability and specifications.

DC Supply Voltage (V_{DD})	-0.5V to +18 V_{DC}
Input Voltage (V_{IN})	-0.5V to V_{DD} + 0.5 V_{DC}
Storage Temperature Range (T_S)	-65°C to +150°C
Power Dissipation (P_D)	
Dual-In-Line	700 mW
Small Outline	500 mW
Lead Temperature, (T_L)	
(Soldering, 10 seconds)	260°C

Recommended Operating Conditions (Note 2)

DC Supply Voltage (V_{DD})	3 to 15 V_{DC}
Input Voltage (V_{IN})	0 to V_{DD} V_{DC}
Operating Temperature Range (T_A)	
CD4008BM	-55°C to +125°C
CD4008BC	-40°C to +85°C

DC Electrical Characteristics CD4008BM (Note 2)

Symbol	Parameter	Conditions	-55°C		+25°C			+125°C		Units
			Min	Max	Min	Typ	Max	Min	Max	
I_{DD}	Quiescent Device Current	$V_{DD} = 5V, V_{IN} = V_{DD}$ or V_{SS}		5		0.3	5	150	μA	
		$V_{DD} = 10V, V_{IN} = V_{DD}$ or V_{SS}		10		0.5	10	300	μA	
		$V_{DD} = 15V, V_{IN} = V_{DD}$ or V_{SS}		20		1.0	20	600	μA	
V_{OL}	Low Level Output Voltage	$ I_O < 1 \mu A$								
		$V_{DD} = 5V$		0.05		0	0.05		0.05	V
		$V_{DD} = 10V$		0.05		0	0.05		0.05	V
		$V_{DD} = 15V$		0.05		0	0.05		0.05	V
V_{OH}	High Level Output Voltage	$ I_O < 1 \mu A$								
		$V_{DD} = 5V$	4.95		4.95	5		4.95		V
		$V_{DD} = 10V$	9.95		9.95	10		9.95		V
		$V_{DD} = 15V$	14.95		14.95	15		14.95		V
V_{IL}	Low Level Input Voltage	$ I_O < 1 \mu A$								
		$V_{DD} = 5V, V_O = 0.5V$ or $4.5V$		1.5			1.5		1.5	V
		$V_{DD} = 10V, V_O = 1V$ or $9V$		3.0			3.0		3.0	V
		$V_{DD} = 15V, V_O = 1.5V$ or $13.5V$		4.0			4.0		4.0	V
V_{IH}	High Level Input Voltage	$ I_O < 1 \mu A$								
		$V_{DD} = 5V, V_O = 0.5V$ or $4.5V$	3.5		3.5			3.5		V
		$V_{DD} = 10V, V_O = 1V$ or $9V$	7.0		7.0			7.0		V
		$V_{DD} = 15V, V_O = 1.5V$ or $13.5V$	11.0		11.0			11.0		V
I_{OL}	Low Level Output Current (Note 3)	$V_{DD} = 5V, V_O = 0.4V$	0.64		0.51	0.88		0.36		mA
		$V_{DD} = 10V, V_O = 0.5V$	1.6		1.3	2.25		0.9		mA
		$V_{DD} = 15V, V_O = 1.5V$	4.2		3.4	8.8		2.4		mA
I_{OH}	High Level Output Current (Note 3)	$V_{DD} = 5V, V_O = 4.6V$	-0.25		-0.2	-0.35		-0.14		mA
		$V_{DD} = 10V, V_O = 9.5V$	-0.62		-0.5	-0.8		-0.35		mA
		$V_{DD} = 15V, V_O = 13.5V$	-1.8		-1.5	-3.5		-1.1		mA
I_{IN}	Input Current	$V_{DD} = 15V, V_{IN} = 0V$		-0.1		-10^{-5}	-0.1		-1.0	μA
		$V_{DD} = 15V, V_{IN} = 15V$		0.1		10^{-5}	0.1		1.0	μA

DC Electrical Characteristics CD4008BC (Note 2)

Symbol	Parameter	Conditions	-40°C		+25°C			+85°C		Units
			Min	Max	Min	Typ	Max	Min	Max	
I_{DD}	Quiescent Device Current	$V_{DD} = 5V, V_{IN} = V_{DD}$ or V_{SS}		20		0.5	20	150	μA	
		$V_{DD} = 10V, V_{IN} = V_{DD}$ or V_{SS}		40		1	40	300	μA	
		$V_{DD} = 15V, V_{IN} = V_{DD}$ or V_{SS}		80		5	80	600	μA	
V_{OL}	Low Level Output Voltage	$ I_O < 1 \mu A$								
		$V_{DD} = 5V$		0.05		0	0.05		0.05	V
		$V_{DD} = 10V$		0.05		0	0.05		0.05	V
		$V_{DD} = 15V$		0.05		0	0.05		0.05	V
V_{OH}	High Level Output Voltage	$ I_O < 1 \mu A$								
		$V_{DD} = 5V$	4.95		4.95	5		4.95		V
		$V_{DD} = 10V$	9.95		9.95	10		9.95		V
		$V_{DD} = 15V$	14.95		14.95	15		14.95		V

DC Electrical Characteristics CD4008BC (Note 2) (Continued)

Symbol	Parameter	Conditions	-40°C		+25°C			+85°C		Units	
			Min	Max	Min	Typ	Max	Min	Max		
V _{IL}	Low Level Input Voltage	I _O < 1 μA V _{DD} = 5V, V _O = 0.5V or 4.5V V _{DD} = 10V, V _O = 1V or 9V V _{DD} = 15V, V _O = 1.5V or 13.5V		1.5				1.5		1.5	V
				3.0				3.0		3.0	V
				4.0				4.0		4.0	V
V _{IH}	High Level Input Voltage	I _O < 1 μA V _{DD} = 5V, V _O = 0.5V or 4.5V V _{DD} = 10V, V _O = 1V or 9V V _{DD} = 15V, V _O = 1.5V or 13.5V	3.5		3.5				3.5		V
			7.0		7.0				7.0		V
			11.0		11.0				11.0		V
I _{OL}	Low Level Output Current (Note 3)	V _{DD} = 5V, V _O = 0.4V V _{DD} = 10V, V _O = 0.5V V _{DD} = 15V, V _O = 1.5V	0.52		0.44	0.88		0.36			mA
			1.3		1.1	2.25		0.9			mA
			3.6		3.0	8.8		2.4			mA
I _{OH}	High Level Output Current (Note 3)	V _{DD} = 5V, V _O = 4.6V V _{DD} = 10V, V _O = 9.5V V _{DD} = 15V, V _O = 13.5V	-0.2		-0.16	-0.35		-0.12			mA
			-0.5		-0.4	-0.8		-0.3			mA
			-1.4		-1.2	-3.5		-1.0			mA
I _{IN}	Input Current	V _{DD} = 15V, V _{IN} = 0V V _{DD} = 15V, V _{IN} = 15V		-0.3				-0.3		-1.0	μA
				0.3				0.3		1.0	μA

AC Electrical Characteristics*

T_A = 25°C, C_L = 50 pF, R_L = 200k, input t_r, t_f = 20 ns, unless otherwise specified.

Symbol	Parameter	Conditions	Min	Typ	Max	Units
t _{PHL} or t _{PLH}	Propagation Delay Time Sum In to Sum Out	V _{DD} = 5V		425	750	ns
		V _{DD} = 10V		170	250	ns
		V _{DD} = 15V		125	190	ns
	Carry In to Sum Out	V _{DD} = 5V		320	650	ns
		V _{DD} = 10V		125	225	ns
		V _{DD} = 15V		95	175	ns
Sum In to Carry Out	V _{DD} = 5V		250	500	ns	
	V _{DD} = 10V		115	200	ns	
	V _{DD} = 15V		90	160	ns	
Carry In to Carry Out	V _{DD} = 5V		130	245	ns	
	V _{DD} = 10V		60	105	ns	
	V _{DD} = 15V		45	80	ns	
t _{THL}	High-to-Low Transition Time	C _L = 15 pF				
		V _{DD} = 5V		100	175	ns
		V _{DD} = 10V		45	75	ns
		V _{DD} = 15V		35	60	ns
t _{TLH}	Low-to-High Transition Time	V _{DD} = 5V		200	400	ns
		V _{DD} = 10V		100	200	ns
		V _{DD} = 15V		80	160	ns
C _{IN}	Average Input Capacitance		5	7.5	pF	
C _{PD}	Power Dissipation Capacitance	(Note 4)		100		pF

*AC Parameters are guaranteed by DC correlated testing.

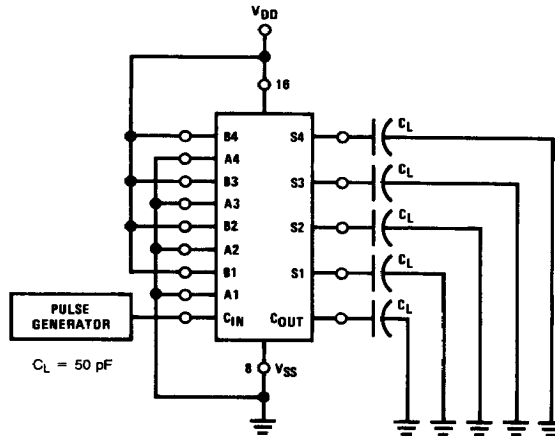
Note 1: "Absolute Maximum Ratings" are those values beyond which the safety of the device cannot be guaranteed; they are not meant to imply that the devices should be operated at these limits. The table of "Recommended Operating Conditions" and "Electrical Characteristics" provides conditions for actual device operation.

Note 2: V_{SS} = 0V unless otherwise specified.

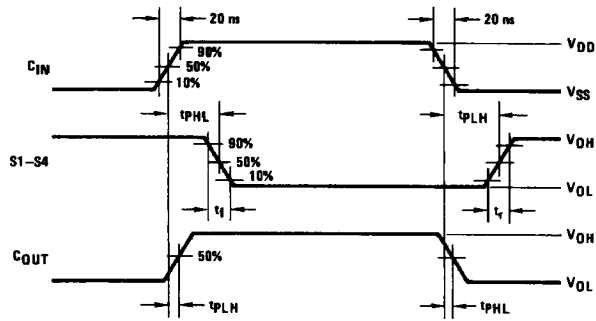
Note 3: I_{OH} and I_{OL} are tested one output at a time.

Note 4: C_{PD} determines the no load AC power consumption of any CMOS device. For complete explanation, see 54C/74C Family Characteristics application note, AN-90.

AC Test Circuit and Switching Time Waveforms



TL/F/5944-3



TL/F/5944-4