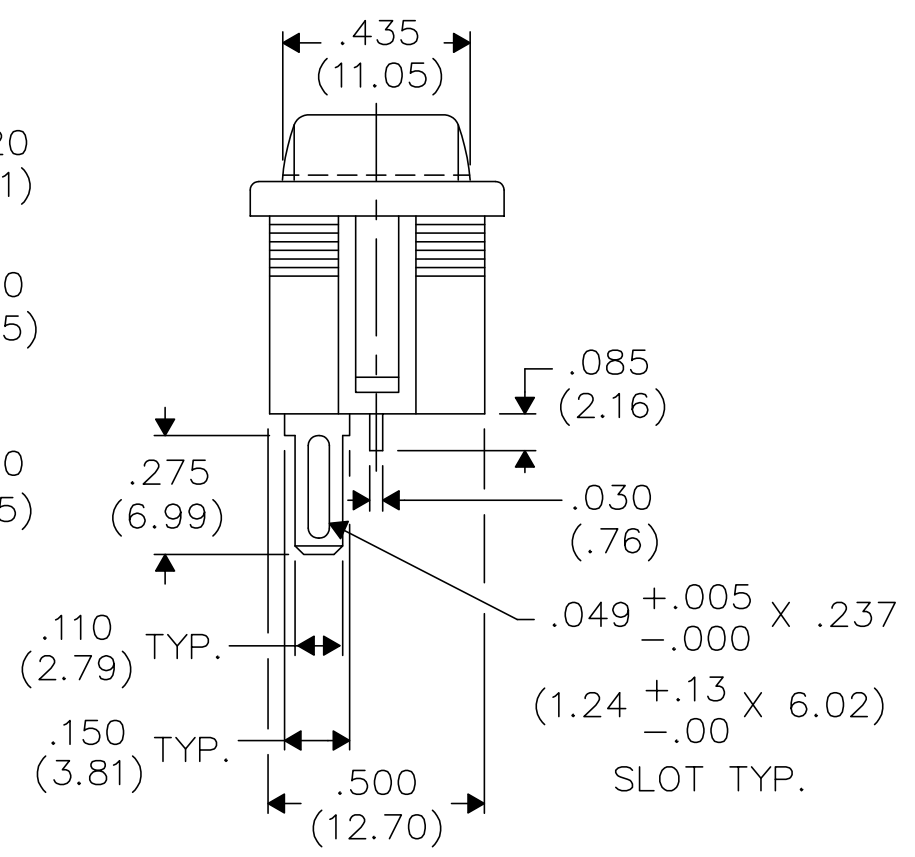
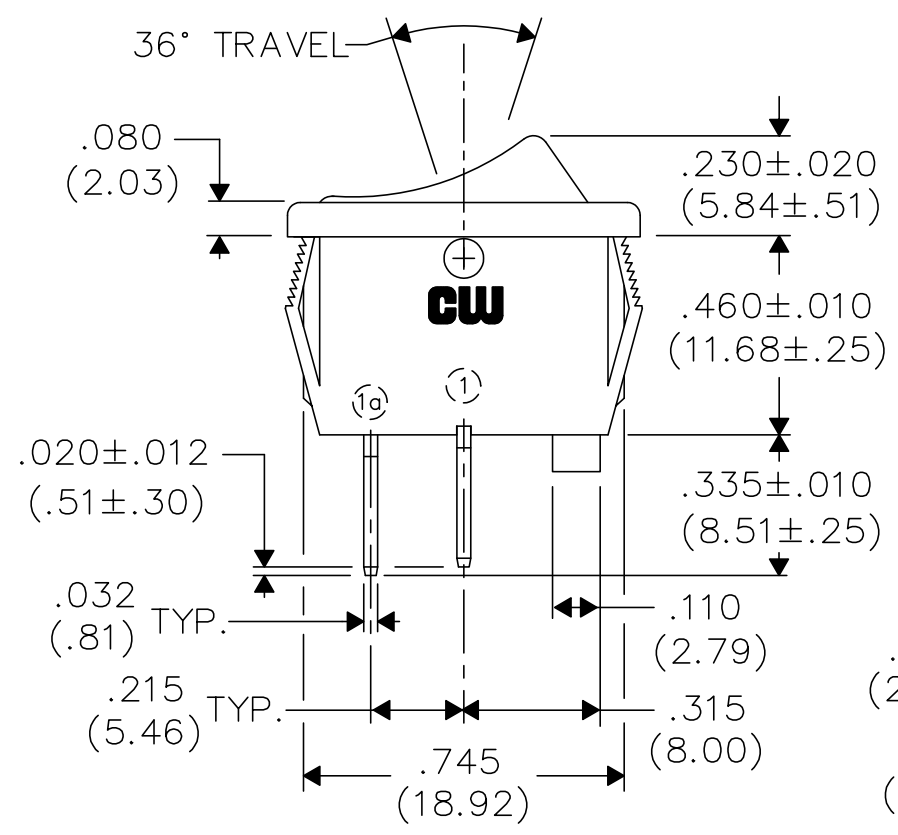
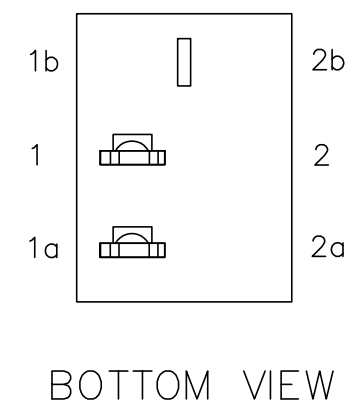
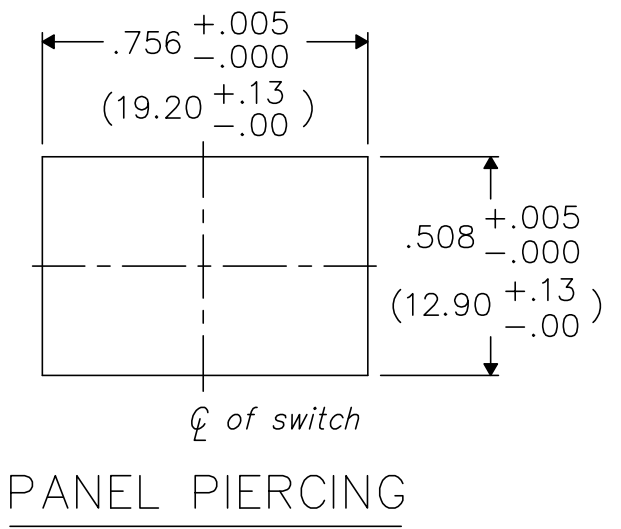
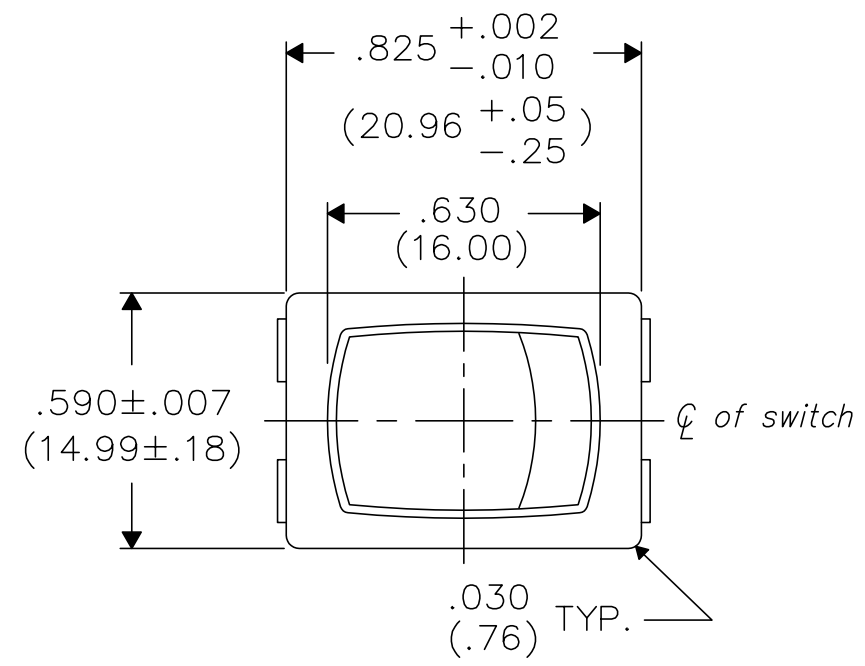


DIMENSIONS IN INCHES (MILLIMETERS)  
DO NOT SCALE DRAWING .....

Dwg. No.  
GRS-4011-0024



1 2 3 4 5 6 7 8 9 10

B-FORMAT 2002  
REVISIONS  
0  
RELEASED.  
DGW 2-04-2002  
2-06-02

**CW INDUSTRIES**  
Southampton, Pa. 18966

TOLERANCES UNLESS OTHERWISE SPECIFIED

2 Place Decimal ±.010	METRIC
3 Place Decimal ±.005	1 Place Dec. ±.25mm
Angles ..... ±1°	2 Place Dec. ±.13mm

Made for: CW IND.  
Division: SWITCH

Drawn by: DGW 2-04-2002  
Checked by: GG 2-06-2002  
Approval: BF 2-06-2002

Title: ASSEMBLY DRAWING SWIDGET

Dwg. No. GRS-4011-0024