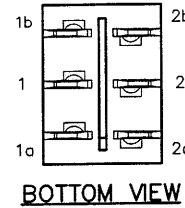
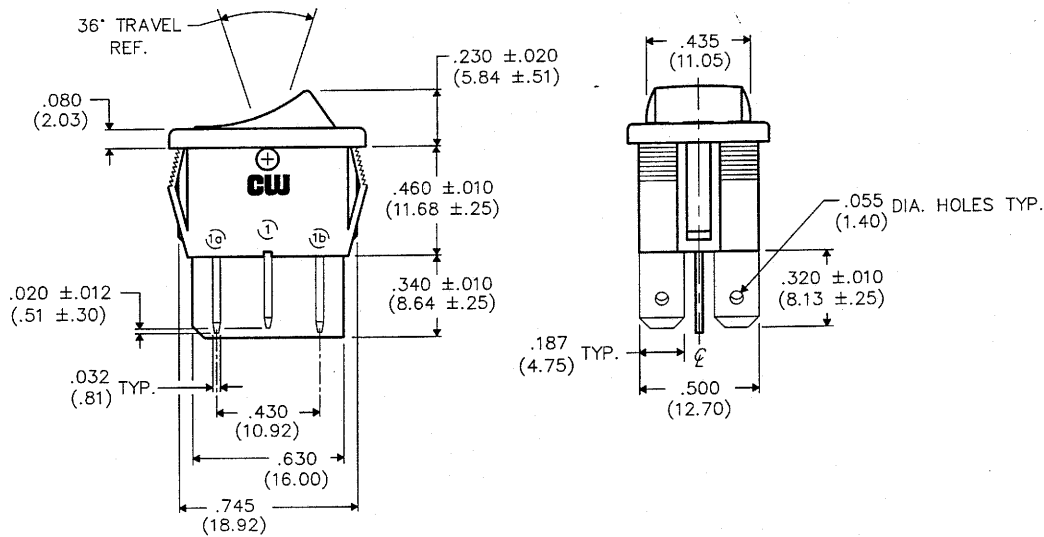
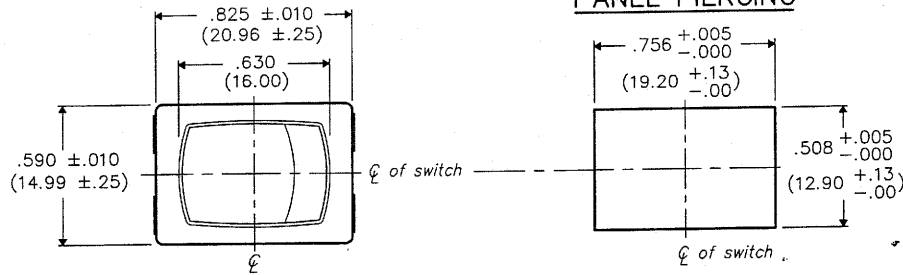


DIMENSIONS IN INCHES (MILLIMETERS)
DO NOT SCALE DRAWING

Dwg. No.

GRS-4022-0010

PANEL PIERCING



E
D
C
B
A

1 2 3 4 5 6 7 8 9 10

FORM-B4	REVISIONS	0	
		1	RELEASED: 8/29/2005
		2	DGW
		3	SEP 20 2005

PDF File Made (QR)	CW INDUSTRIES		Title: ROCKER SWIDGET ASSEMBLY (POP IN) D.P.- D.T.
	Southampton, Pa. 18966		
	TOLERANCES UNLESS OTHERWISE SPECIFIED		
	2 Place Decimal ±.010	METRIC	
3 Place Decimal ±.005	1 Place Dec. ±.25mm	2 Place Dec. ±.13mm	
Angles ±1'			
Made for:	CW IND.		Division: SWITCH
Drawn by:	DGW 8/29/2005		Dwg. No.
Checked by:	G. Guld 9/19/05		GRS-4022-0010
Approval:	[Signature] 9/19/05		