

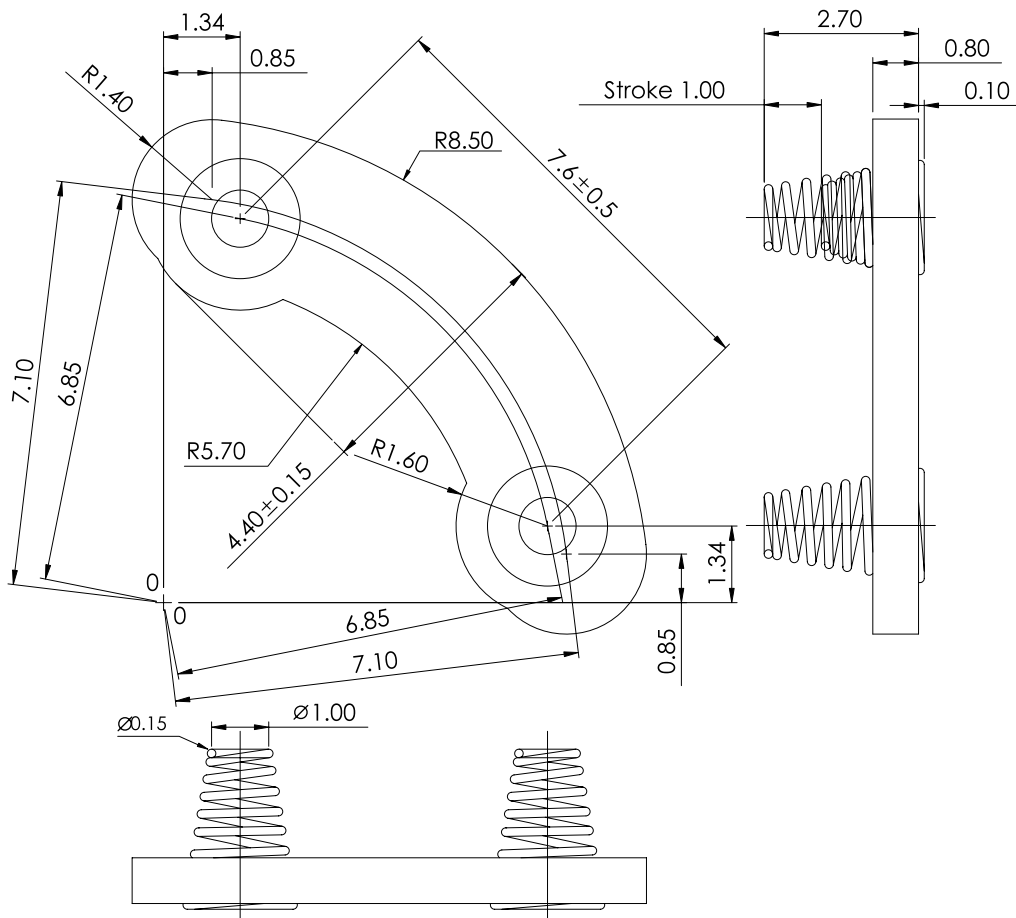
MICPHONE SOCKET



060103MA Series

Specifications:

- **Insulator Material** : Black Thermo Plastic UL94V-O
- **Operating Type Range** : -40°C TO +105°C
- **Terminal Material** : Pho. Bronze
- **Platings** : Contact Gold Plated
- **Max. Current Rating** : 1.5A
- **Max. Voltage Rating** : 150V AC
- **Dielectric Strength** : 500V AC For 60 Seconds



Order Information

060103MA002□□00ZO
 1 2 3 4 5

1. 'A' : Straight SMT Type
2. No. of pins.
3. Plating
4. Color 'Z' : Black
5. Package
 'O' : Slim Box Without Cap

Reference Page 11