

PLEASE CHECK WWW.MOLEX.COM FOR LATEST PART INFORMATION

Part Number: [0640021215](#)
Status: **Active**
Description: 1.02mm (.040") Pitch, Wire-To-Board Housing, Female, 12 Circuits, L94HB, Gray with White TPA™

Documents:

[Drawing \(PDF\)](#) [Product Specification PS-104000-001 \(PDF\)](#)
[Packaging Specification \(PDF\)](#) [RoHS Certificate of Compliance \(PDF\)](#)

General

Product Family Crimp Housings
 Series [64002](#)
 Product Name N/A

Physical

Circuits (maximum) 12
 Color - Resin Gray, Natural
 Gender Female
 Glow-Wire Compliant No
 Keying to Mating Part N/A
 Lock to Mating Part None
 Material - Resin Polyester
 Number of Rows 2
 Packaging Type Bag
 Panel Mount No
 Pitch - Mating Interface (in) 0.098 In
 Pitch - Mating Interface (mm) 2.50 mm
 Pitch - Term. Interface (in) 0.984 In
 Pitch - Term. Interface (mm) 2.50 mm
 Polarized to Mating Part Yes
 Ports 1
 Stackable No
 Temperature Range - Operating -30°C to +85°C

Material Info

Reference - Drawing Numbers

Product Specification PS-104000-001
 Sales Drawing SD-64002-001

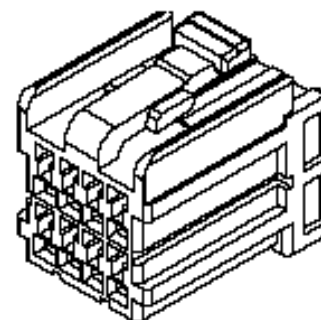


image - Reference only

Series

EU RoHS

**ELV and RoHS
Compliant**
REACH SVHC
 Not Reviewed
**Halogen-Free
Status**

China RoHS



**Need more information on product
environmental compliance?**

Email productcompliance@molex.com
 For a multiple part number RoHS Certificate of Compliance, [click here](#)

Please visit the [Contact Us](#) section for any non-product compliance questions.

Search Parts in this Series

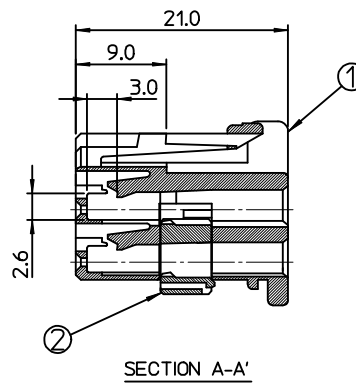
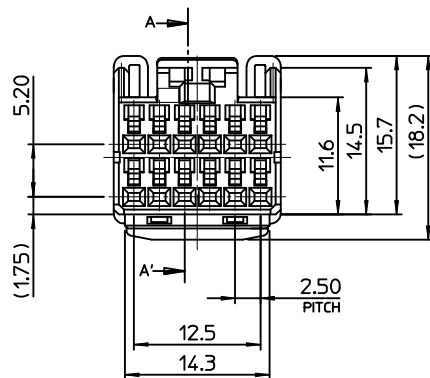
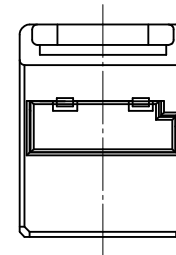
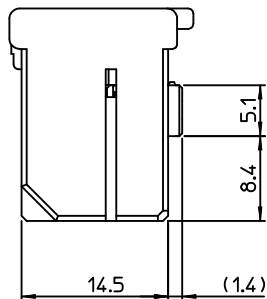
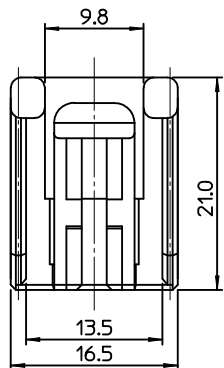
[64002Series](#)

Mates With

[53874](#) Wire-to-Board Header, [68145](#) Wire-to-Board Header, [68151](#) Wire-to-Board Header

Use With

[50654](#) Female Crimp Terminal



NOTES

1. MATERIAL : SEE PART LIST
2. APPLICABLE HEADER : 68145-1211,68145-1215(VERTICAL)
68145-1221,68145-1225(RIGHT ANGLE)
3. APPLICABLE TERMINAL :

PART NO.	WIRE RANGE		MATERIAL	REMARK
	mm ²	AWG		
50654-1001	0.3-0.85	22-18	COPPER ALLOY	TIN-PLATED

<TABLE 1>

MATERIAL NO.	ORDER NO.	COLOR
640021210	64002-1210	NATURAL
640021211	64002-1211	BLACK
640021215	64002-1215	GRAY

<PART LIST>

NO.	PART NAME	MATERIAL	REMARK
①	REC. HOUSING	POLYESTER(PBT)	NATURAL,GRAY
②	TPA	POLYESTER(PBT)	NATURAL

REVISED EC NO: KOR2009-0157 DRW:EKIM 2009/05/28 CHKD:BCYOON 2009/05/28 APPR: YUNSIKKIM 2009/05/28	QUALITY SYMBOLS	GENERAL TOLERANCES (UNLESS SPECIFIED)	DIMENSION STYLE	SCALE	DESIGN UNITS	THIRD ANGLE PROJECTION
	$\nabla = 0$ $\sphericalcap = 0$	mm INCH 4 PLACES ± --- ± --- 3 PLACES ± --- ± --- 2 PLACES ± 0.20 ± --- 1 PLACE ± 0.3 ± --- ANGULAR ± 1°	MM ONLY	2:1	METRIC	
	DESCRIPTION	DRAWN BY	DATE	TITLE		
	REV	BCYOON	2002/08/06	040 WIRE-TO-BOARD CONN. FEMALE HOUSING ASS'Y 12P		
A1		CHECKED BY	DATE			
		YSIKKIM	2002/08/06			
		APPROVED BY	DATE			
		CWLEE	2002/08/06			
		MATERIAL NO.	DATE			
		SEE TABLE 1	2002/08/06			
		DRAFT WHERE APPLICABLE MUST REMAIN WITHIN DIMENSIONS				
		SIZE				
		A3				
		THIS DRAWING CONTAINS INFORMATION THAT IS PROPRIETARY TO MOLEX INCORPORATED AND SHOULD NOT BE USED WITHOUT WRITTEN PERMISSION				