

Service  
Service  
Service



# Service Manual

## TABLE OF CONTENTS

	Page
Technical Specifications .....	1-2
Service Aids, Safety Instruction, etc. ....	1-3
Disassembly Instructions & Service positions .....	2-1
Region code, Software version & upgrades.....	3-1
Trouble Shooting Charts .....	3-2
Set Block diagram & Wiring diagram .....	4
PSU board ( <i>For info only</i> ) .....	5
Front Board .....	6
MPEG Board .....	7
Set Mechanical Exploded view & parts list .....	8
History .....	9



© Copyright 2003 Philips Consumer Electronics B.V. Eindhoven, The Netherlands  
All rights reserved. No part of this publication may be reproduced, stored in a retrieval system or transmitted, in any form or by any means, electronic, mechanical, photocopying, or otherwise without the prior permission of Philips.

Published by KC 0332 Service Audio Printed in The Netherlands Subject to modification



3199 785 30440

Version 1.0



# PHILIPS

## SPECIFICATIONS

### GENERAL:

---

Mains voltage	: 220-240V for /00/02/05
Mains frequency	: 50Hz
Power consumption	: < 5W at Standby
Dimension centre unit	: 435 x 43 x 310mm

### TV STANDARD:

---

	PAL / 50Hz	NTSC / 60Hz
No of Lines	: 625	525
Playback	: Multistandard	(PAL / NTSC)

### VIDEO FORMAT:

---

Digital Compression	: MPEG2 for DVD/SVCD
	MPEG1 for VCD
	MPEG-4

<b>DVD</b>	<b>50Hz</b>	<b>60Hz</b>
Horizontal resolution	: 720 pixels	720 pixels
Vertical resolution	: 576 lines	480 lines
<b>DVD</b>	<b>50Hz</b>	<b>60Hz</b>
Horizontal resolution	: 352 pixels	352 pixels
Vertical resolution	: 288 lines	240 lines

### VIDEO PERFORMANCE:

---

CBVS out <sup>1)</sup>	: $1.0 \pm 0.1V_{p-p}$
RGB (Scart) out <sup>1)</sup>	: $0.7V \pm 0.1V_{p-p}$

### AUDIO FORMAT:

---

Digital	MPEG/AC-3/DTS/PCM	Compress Digital
		16, 20, 24 bits
		fs. 44.1, 48, 96 kHz
	MP3 <sup>2)</sup>	32 - 256 kbps & variable
		fs. 32, 44.1, 48 kHz

Analog Sound Stereo

Dolby Surround compatible downmix from Dolby Digital multi-channel sound

3D Sound for virtual 5.1 channel sound on 2 speakers

### AUDIO PERFORMANCE (Stereo Mode):

---

Output (CDDA Stereo)	: $2V \pm 1.5dB$
Channel unbalance (1kHz)	: < 0,9dB
Crosstalk (20Hz - 20kHz)	: > 95dB
Signal to noise (A-weighted)	: >90dB
Distortion & Noise (1kHz) <sup>3)</sup>	: $85 \pm 5dB$

### Connection:

---

Scart out	: Scart 21pin connector
CVBS out	: Cinch (Yellow)
Audio L/R out	: Cinch (Red/White)
Digital out (IEC958/IEC1937)	: Cinch (Black)

<sup>1)</sup> Output terminals terminated with 75Ω

<sup>2)</sup> Recording format: ISO9660, UDF format is not supported.

<sup>3)</sup> Measured via a Causer Filter

## SERVICE AIDS

### Service Tools:

Universal Torx driver holder .....	4822 395 91019
Torx bit T10 150mm .....	4822 395 50456
Torx driver set T6 - T20 .....	4822 395 50145
Torx driver T10 extended .....	4822 395 50423
Allen key set (1.5, 2, 2.5, 3, 4, 5, 6, 8mm) .....	5322 395 10754

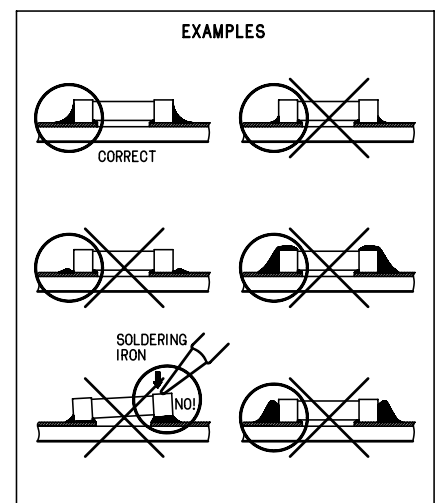
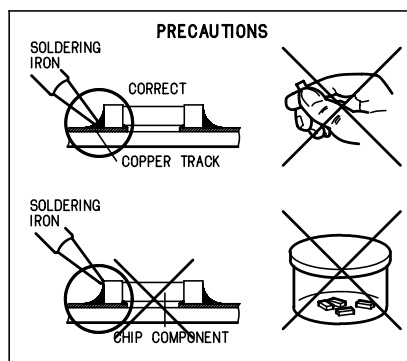
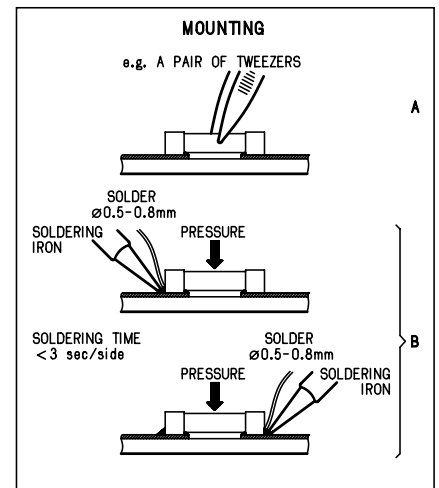
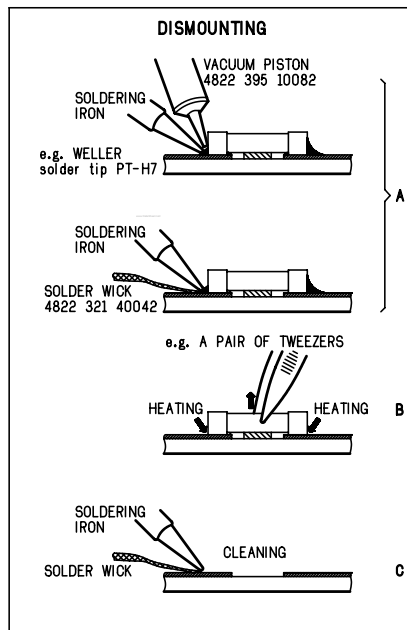
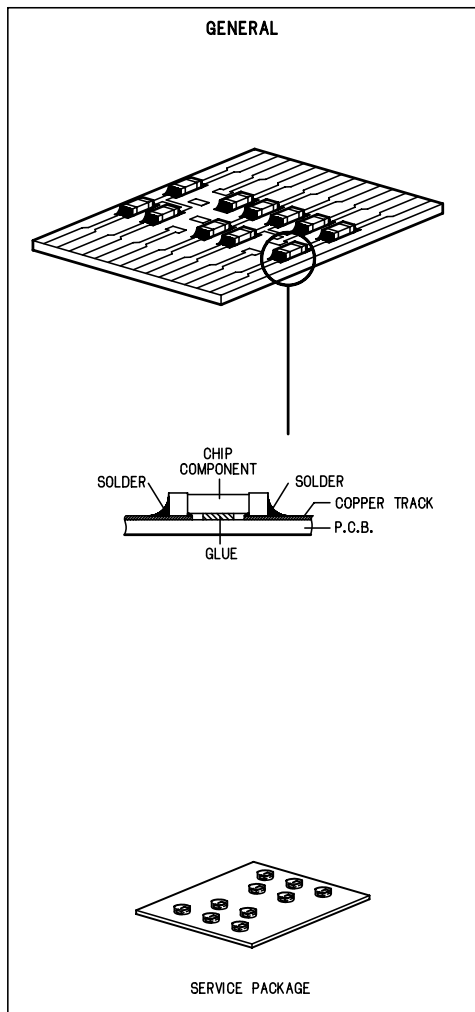
### Compact Disc:

SBC426/426A Test disc 5 + 5A .....	4822 397 30096
SBC442 Audio Burn-in Test disc 1kHz .....	4822 397 30155
SBC429 Audio Signals disc .....	4822 397 30184
SBC444/444A .....	4822 397 30245
CD-RW Printed Audio Test Disc .....	7104 099 96611
Dolby Pro-logic Test Disc .....	4822 395 10216

### ESD Equipment:

Anti-static table mat - large 1200x650x1.25mm ...	4822 466 10953
Anti-static table mat - small 600x650x1.25mm .....	4822 466 10958
Anti-static wristband .....	4822 395 10223
Connector box (1M $\Omega$ ) .....	4822 320 11307
Extension cable (to connect wristband to conn. box) .....	4822 320 11305
Connecting cable (to connect table mat to conn. box) .....	4822 320 11306
Earth cable (to connect product to mat or box) ....	4822 320 11308
Complete kit ESD3 (combining all above products) .....	4822 320 10671
Wristband tester .....	4822 344 13999

## HANDLING CHIP COMPONENTS



**(GB) WARNING**

All ICs and many other semi-conductors are susceptible to electrostatic discharges (ESD). Careless handling during repair can reduce life drastically.  
When repairing, make sure that you are connected with the same potential as the mass of the set via a wrist wrap with resistance. Keep components and tools also at this potential.

**(F) ATTENTION**

Tous les IC et beaucoup d'autres semi-conducteurs sont sensibles aux décharges statiques (ESD). Leur longévité pourrait être considérablement écourtée par le fait qu'aucune précaution n'est prise à leur manipulation.  
Lors de réparations, s'assurer de bien être relié au même potentiel que la masse de l'appareil et enfilez le bracelet serti d'une résistance de sécurité.  
Veiller à ce que les composants ainsi que les outils que l'on utilise soient également à ce potentiel.

**(GB)**

Safety regulations require that the set be restored to its original condition and that parts which are identical with those specified, be used.

**(NL)**

Veiligheidsbepalingen vereisen, dat het apparaat bij reparatie in zijn oorspronkelijke toestand wordt teruggebracht en dat onderdelen, identiek aan de gespecificeerde, worden toegepast.

**(F)**

Les normes de sécurité exigent que l'appareil soit remis à l'état d'origine et que soient utilisés les pièces de rechange identiques à celles spécifiées.

**(D)**

Bei jeder Reparatur sind die geltenden Sicherheitsvorschriften zu beachten. Der Originalzustand des Geräts darf nicht verändert werden; für Reparaturen sind Original-Ersatzteile zu verwenden.

**(I)**

Le norme di sicurezza esigono che l'apparecchio venga rimesso nelle condizioni originali e che siano utilizzati i pezzi di ricambio identici a quelli specificati.

"After servicing and before returning set to customer perform a leakage current measurement test from all exposed metal parts to earth ground to assure no shock hazard exist. The leakage current must not exceed 0.5mA."

**ESD****(D) WARNUNG**

Alle ICs und viele andere Halbleiter sind empfindlich gegenüber elektrostatischen Entladungen (ESD).  
Unvorsorgfältige Behandlung im Reparaturfall kann die Lebensdauer drastisch reduzieren.  
Veranlassen Sie, dass Sie im Reparaturfall über ein Pulsarmband mit Widerstand verbunden sind mit dem gleichen Potential wie die Masse des Gerätes.  
Bauteile und Hilfsmittel auch auf dieses gleiche Potential halten.

**(NL) WAARSCHUWING**

Alle IC's en vele andere halfgeleiders zijn gevoelig voor electrostatische ontladingen (ESD).  
Onzorgvuldig behandelen tijdens reparatie kan de levensduur drastisch doen verminderen.  
Zorg ervoor dat u tijdens reparatie via een polsband met weerstand verbonden bent met hetzelfde potentiaal als de massa van het apparaat.  
Houd componenten en hulpmiddelen ook op hetzelfde potentiaal.

**(I) AVVERTIMENTO**

Tutti IC e parecchi semi-conduttori sono sensibili alle scariche statiche (ESD).  
La loro longevità potrebbe essere fortemente ridotta in caso di non osservazione della più grande cauzione alla loro manipolazione.  
Durante le riparazioni occorre quindi essere collegato allo stesso potenziale che quello della massa dell'apparecchio tramite un braccialetto a resistenza.  
Assicurarsi che i componenti e anche gli utensili con quali si lavora siano anche a questo potenziale.

"Pour votre sécurité, ces documents doivent être utilisés par des spécialistes agréés, seuls habilités à réparer votre appareil en panne".

**(GB) Warning !**

Invisible laser radiation when open.  
Avoid direct exposure to beam.

**(S) Varning !**

Osynlig laserstrålning när apparaten är öppnad och spärren är urkopplad. Betrakta ej strålen.

**(SF) Varoitus !**

Avatussa laitteessa ja suojalukituksen ohitettaessa olet alltiina näkymättömälle laserisäteilylle. Älä katso säteeseen!

**(DK) Advarse !**

Usynlig laserstrålning ved åbning når sikkerhedsafbrydere er ude af funktion. Undgå udsættelse for stråling.

## DISMANTLING INSTRUCTIONS

### Dismantling of the Front Panel assembly

- 1) Open the Tray and remove the tray cover assy (pos 101-19-1 + 101-19-5) and remove it as shown in figure 1.

Note: The Tray can be manually open by inserting a minus screw driver (approximately 9mm) and push lever in the direction shown in figure 2.

- 2) Loosen the 5 screws to dismantle the Top Cover (pos 252)
  - 2 screws on each side
  - 3 screws on the Rear Panel (pos 251).
- 3) Uncatch 6 catches (2x on side & 2x on the bottom and 2x on the Loader C2) to slide the Front Panel assembly (pos 101) as per figure 3.



Figure 1



Figure 2

## DISMANTLING INSTRUCTIONS

### Dismantling of the PSU, Loader Mechanism & MPEG board

- 1) Remove the Tray cover as per instruction to remove the Front panel assembly
- 2) Loosen 4 screws A and 2 catches C2 to remove the Loader Module (pos 1002) as per figure 3.
- 3) Loosen 5 screws (2x screw B and 3x screw E) to remove the MPEG board (pos 1003) as per figures 3 and 4.
- 4) Loosen 2 screws D and 2 catches C1 to remove the PSU board (pos 1001).



Figure 3

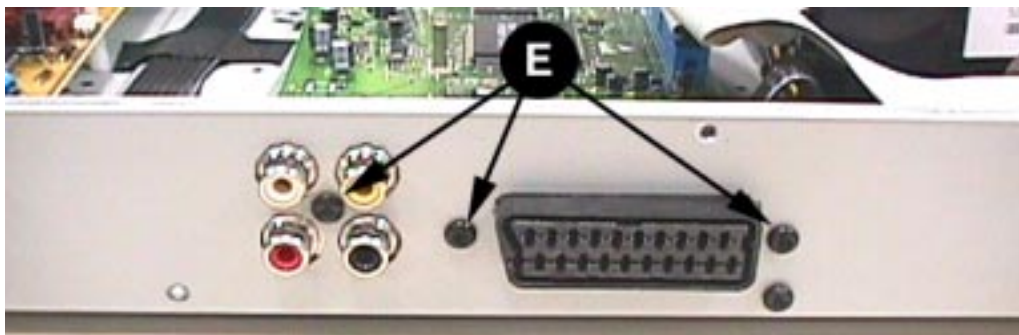


Figure 4

### **DVD Region code**

---

There is only 1 version of software (for region 2) in this range, therefore no special re-programming is required. However, it is possible to change the region code but do note that selecting a different region code will not change the existing setting like TV system, output format, etc.

#### **Region code change is done as follows:**

- 1) Power up the set and open tray.
- 2) Press <System Menu> button
- 3) Press <Stop> <Previous> follow by <X> buttons on the Remote control.  
where x = numeric 1 to 6 denoting the regions below:
  - 1 = USA
  - 2 = Europe
  - 3 = Asia Pacific
  - 4 = Australia, New Zealand, Latam
  - 5 = Russia, India
  - 6 = China

### **Procedure to view Software version and Region code**

---

- 1) Power up the set
- 2) Press <System Menu> button on the Remote control.
- 3) Press <Stop> <Previous> and <Next> buttons on the Remote control.
- 3) The TV screen will shows:  
 VERSION : DP330.4.19 REG : 2  
 Application software (backend)      Region code

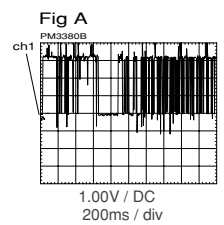
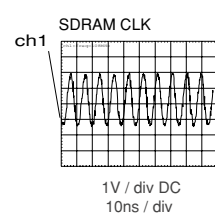
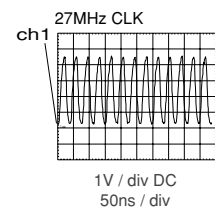
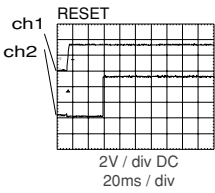
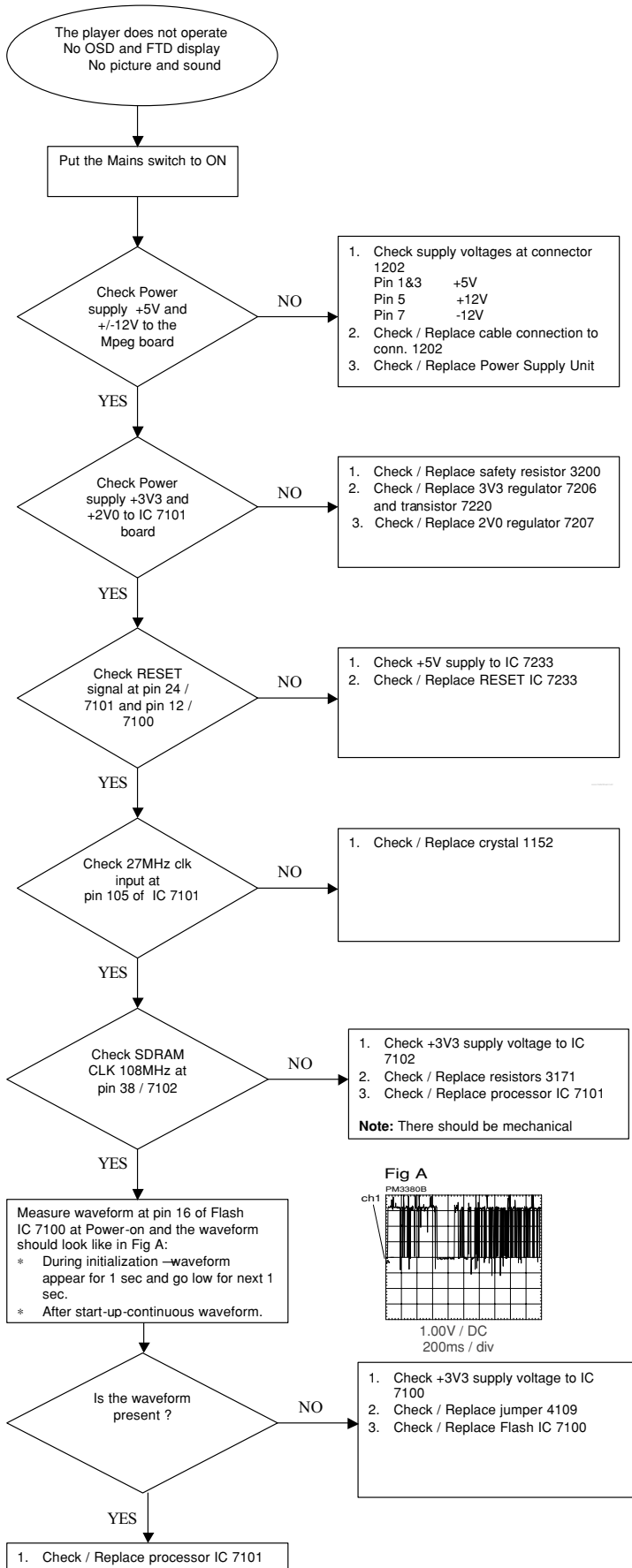
### **Procedure to upgrade software**

---

- 1) Power up the set and open tray.
- 2) Place upgrade CD-ROM onto tray and close it.
- 3) The FTD on the set [and TV screen] will response and display the following:
  - LOAD [TV screen shows: DISC LOADING]
  - DATA [TV screen shows: READ]
  - UPGRADE [TV screen shows: UPGRADING followed by DONE when it is completed]
- 4) The tray opens for you to remove the CD-ROM and the set switches to Standby.
- 5) The whole process should last less than 5 minutes.

# Trouble Shooting charts

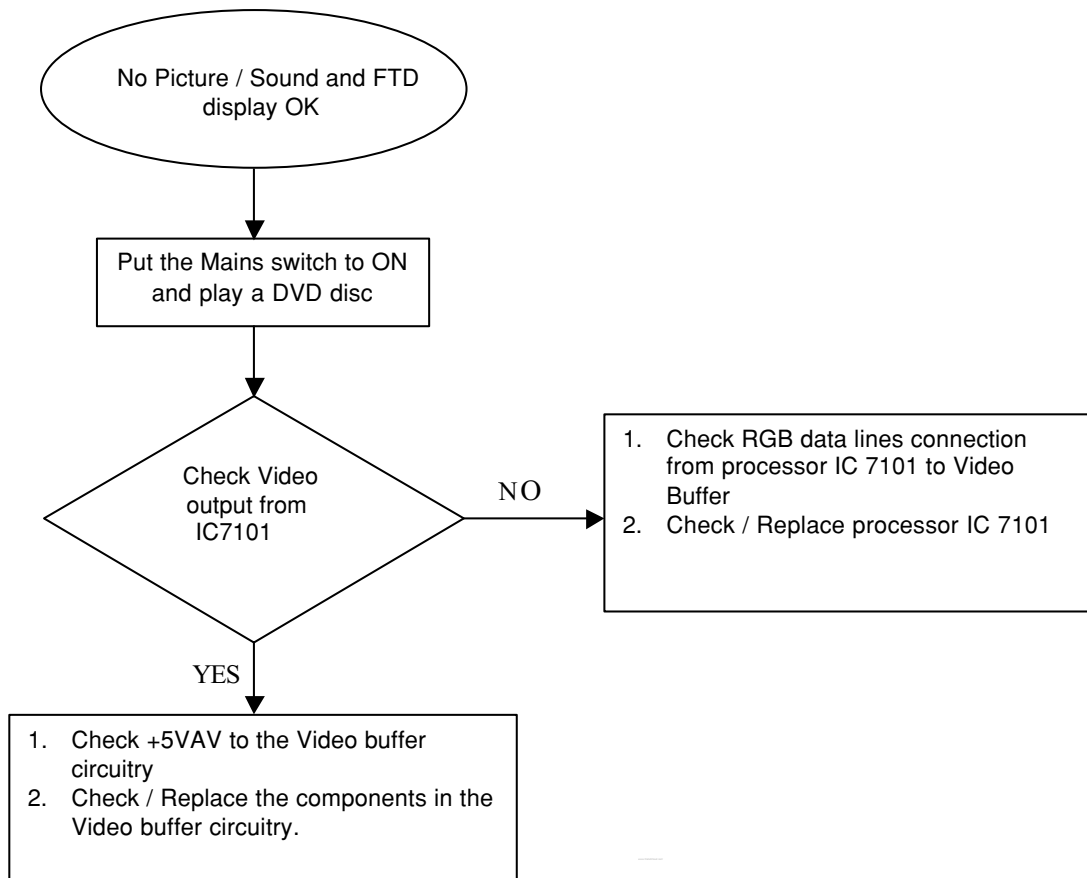
## No Operation



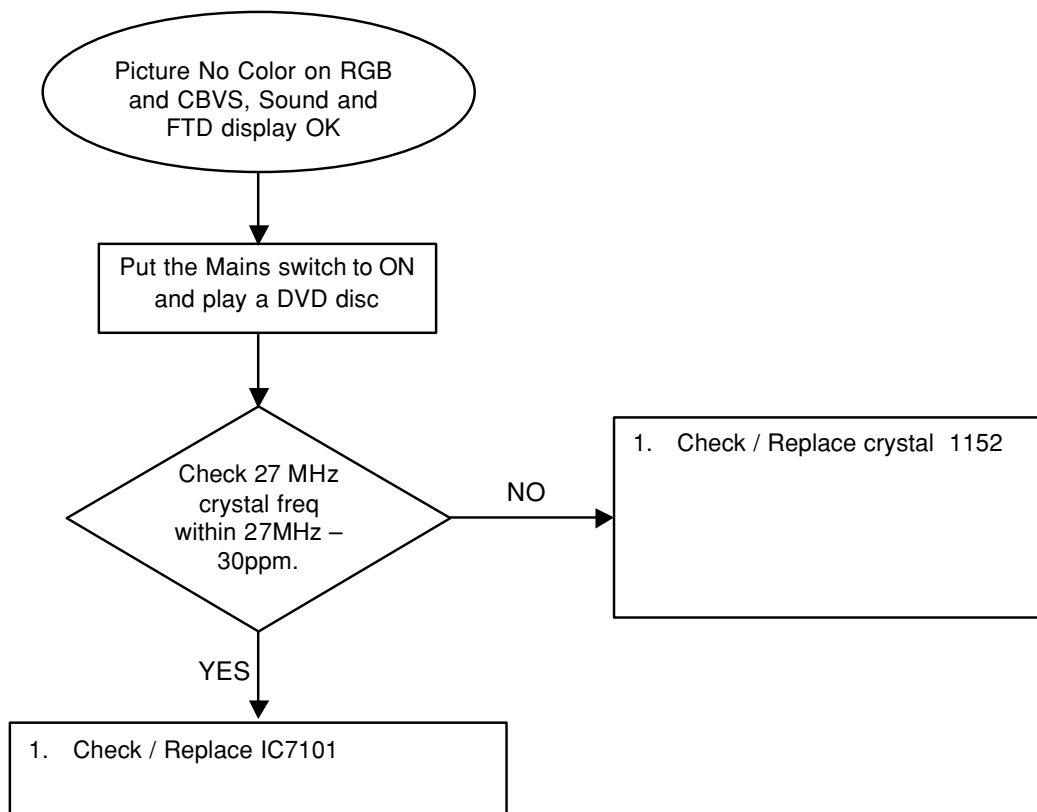


## Trouble Shooting charts

### No Picture

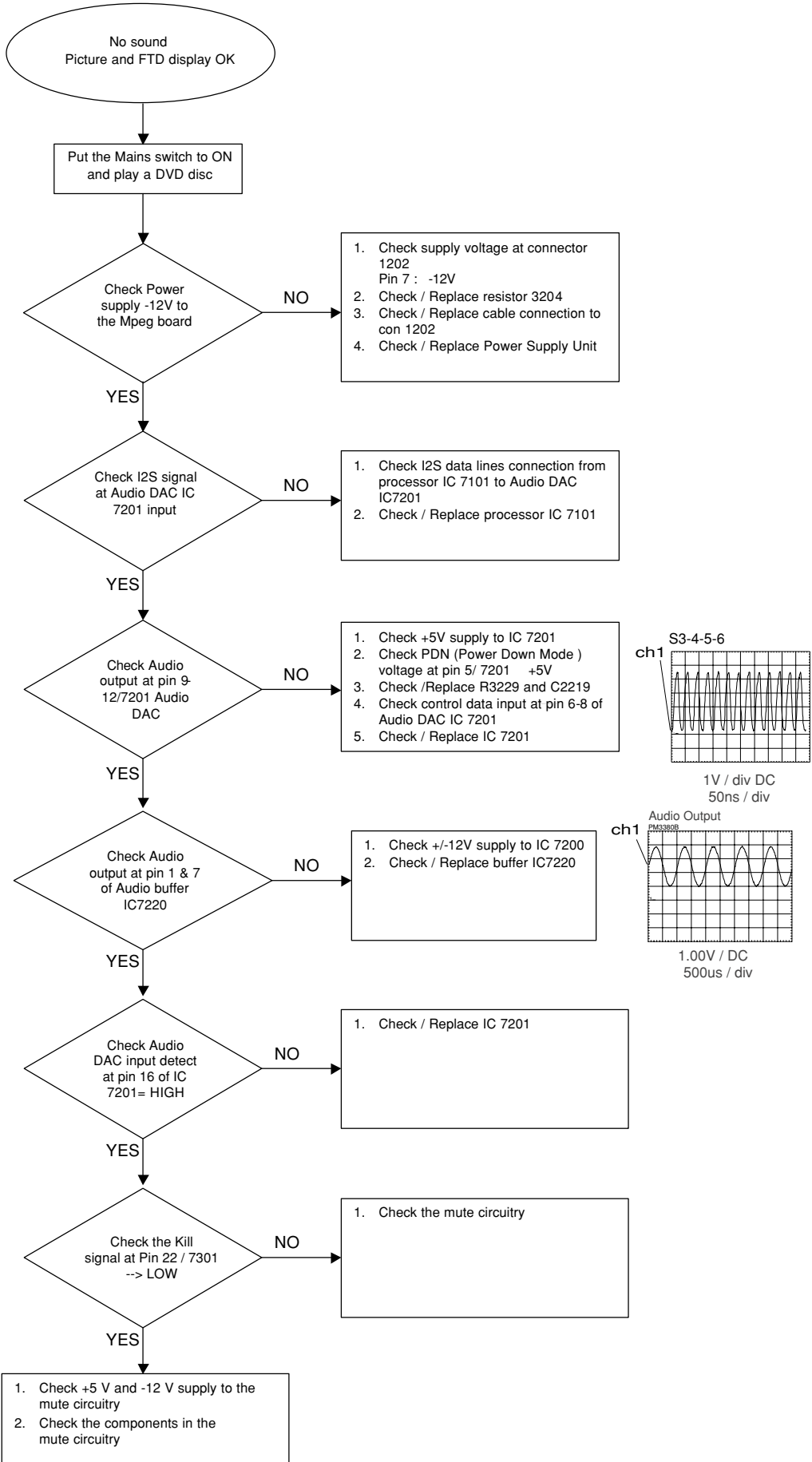


### No Color



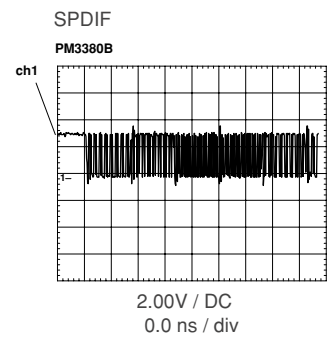
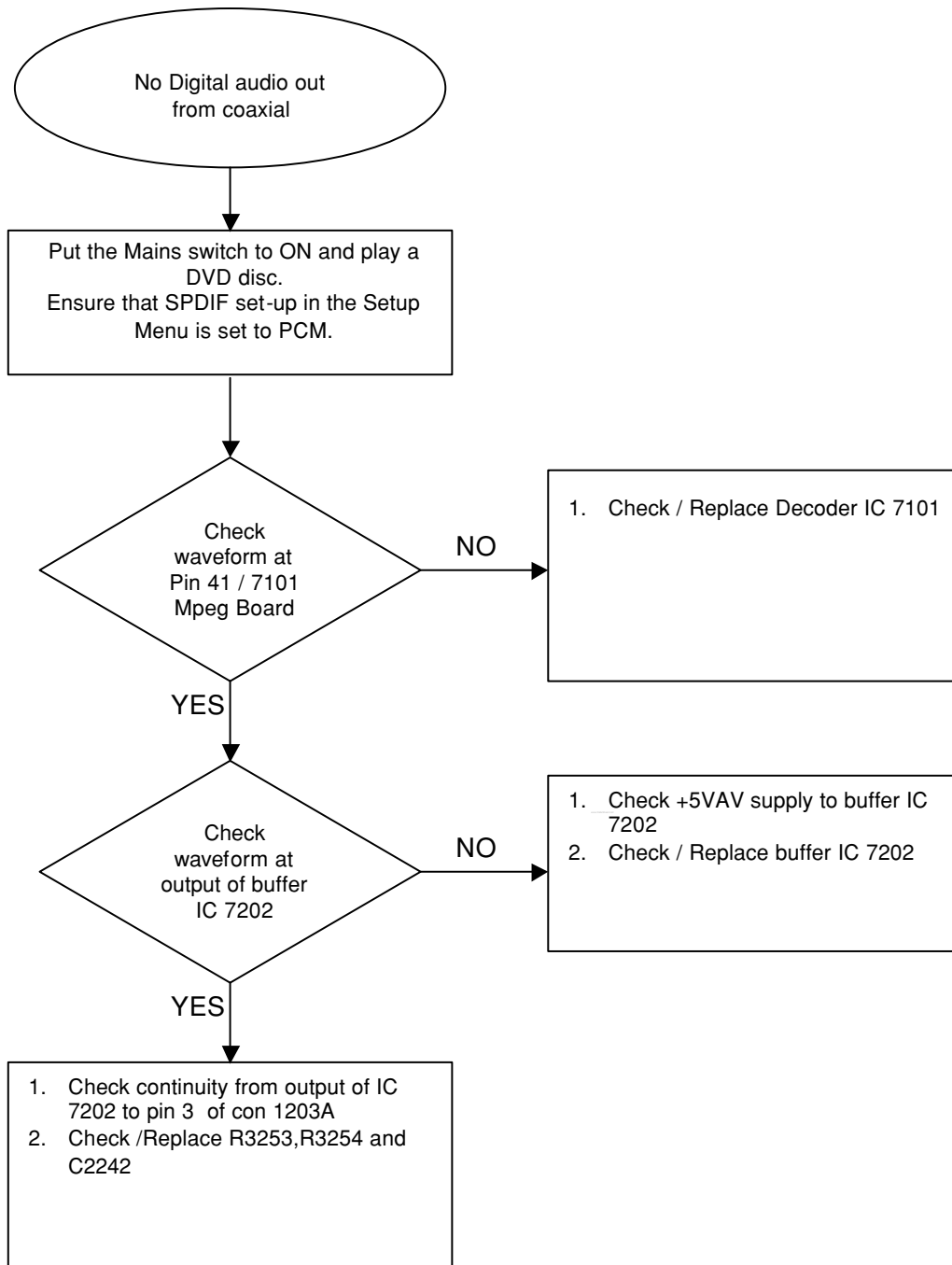
# Trouble Shooting charts

## No Sound



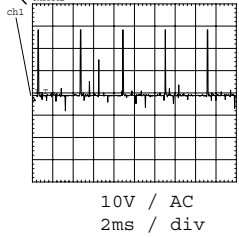
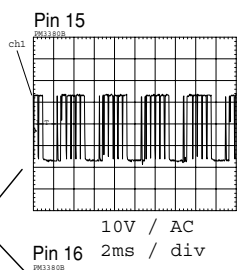
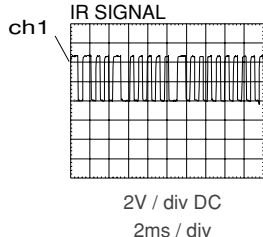
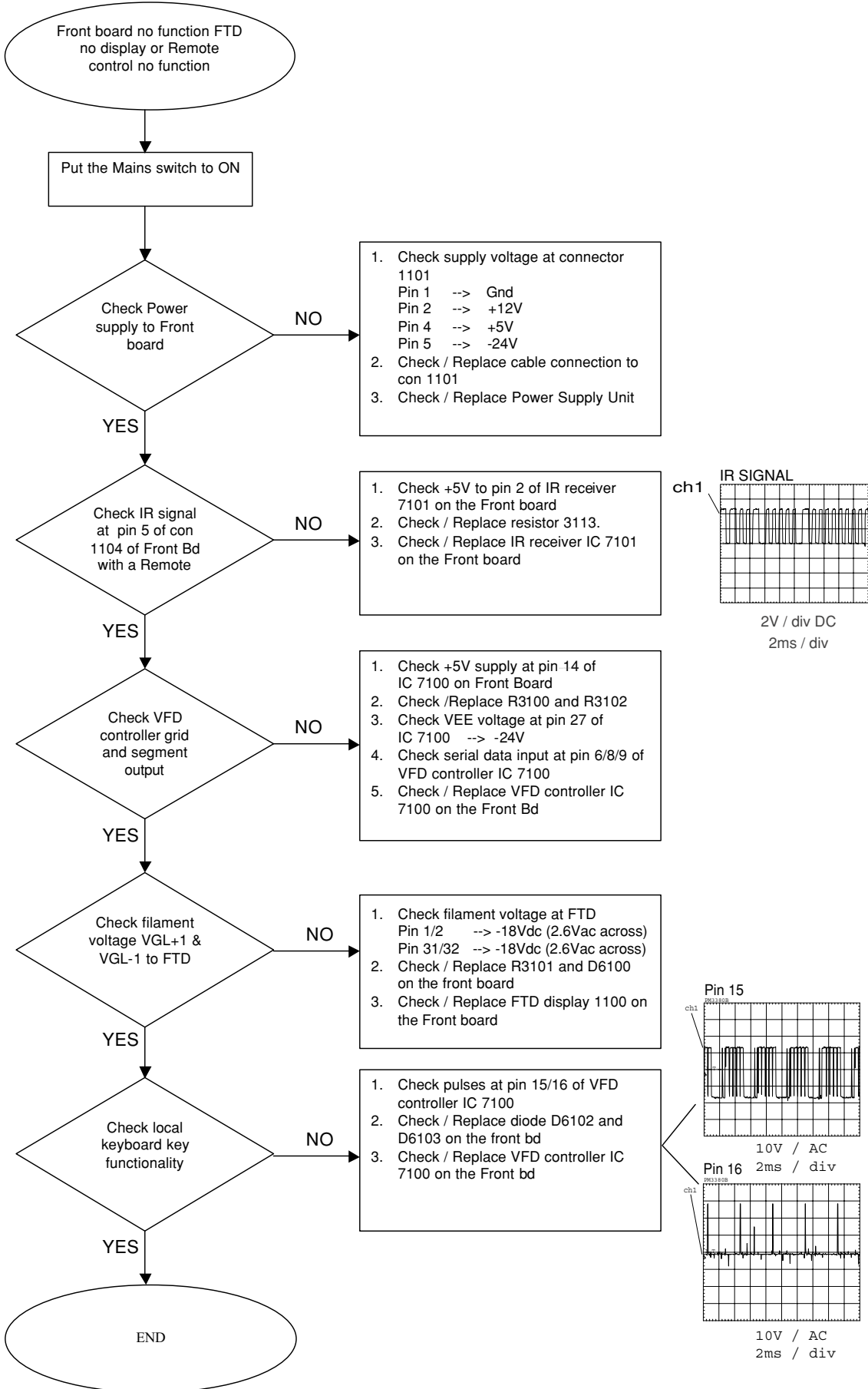
## Trouble Shooting charts

### No Digital Audio Out

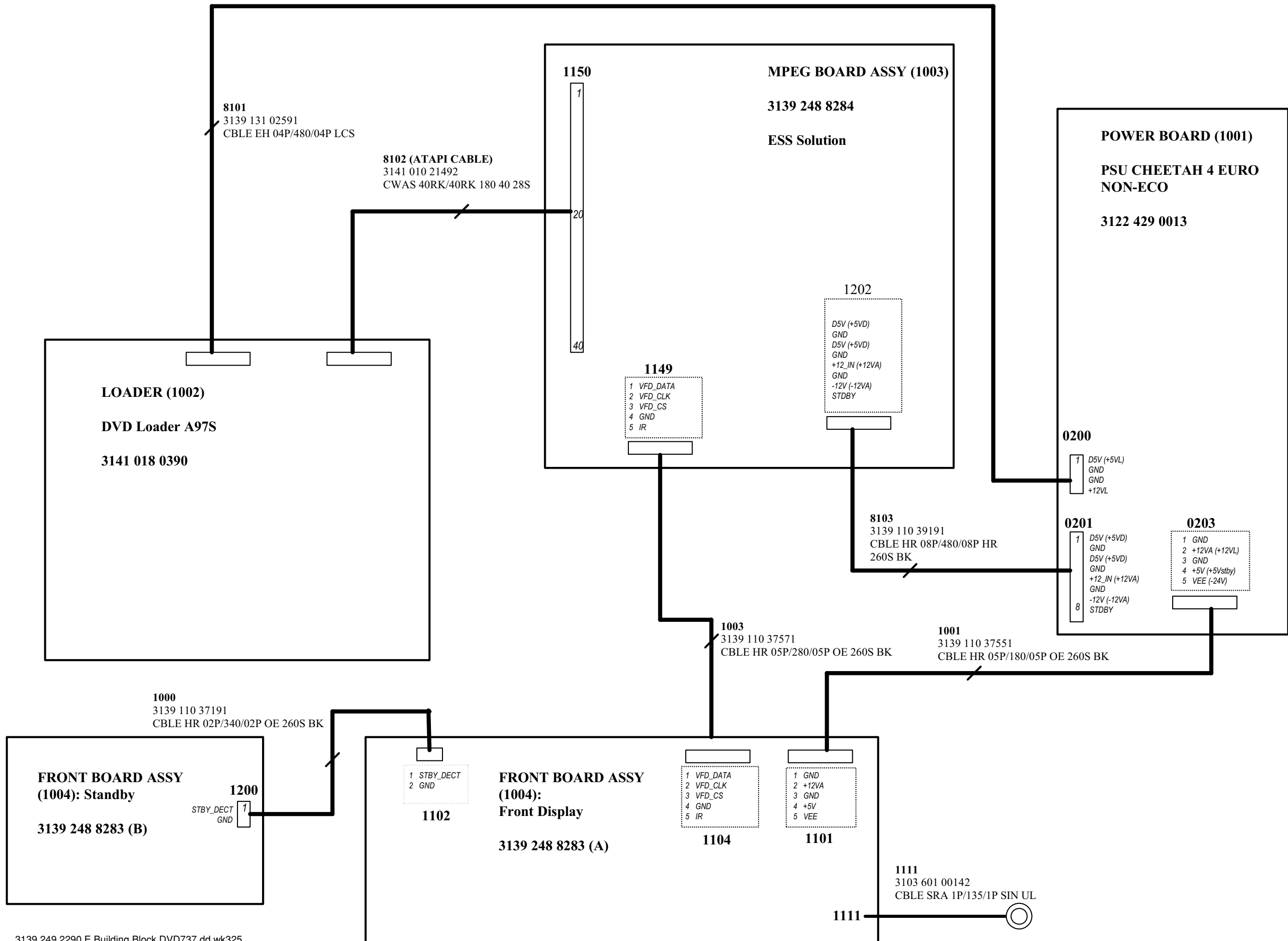


# Trouble Shooting charts

## No RC and FTD Display



# WIRING DIAGRAM



# PSU BOARD

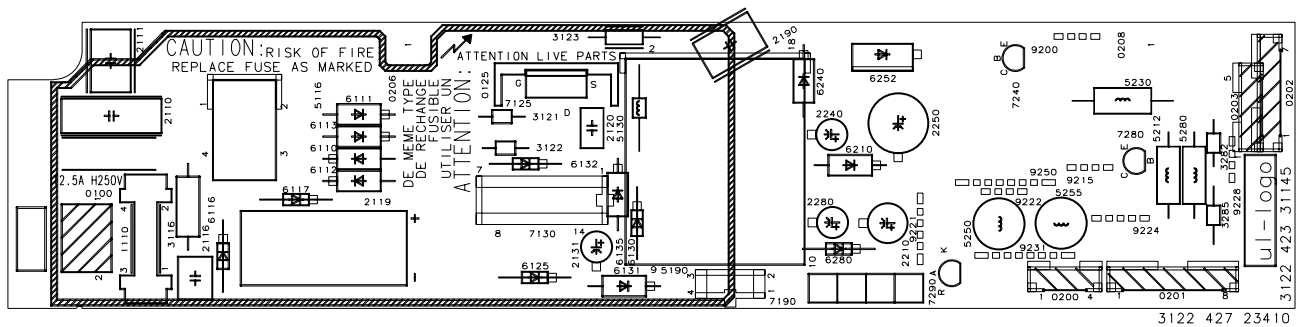
*(For Information only)*

It is not recommended for component repair on this board but to replace the board when it becomes defective.

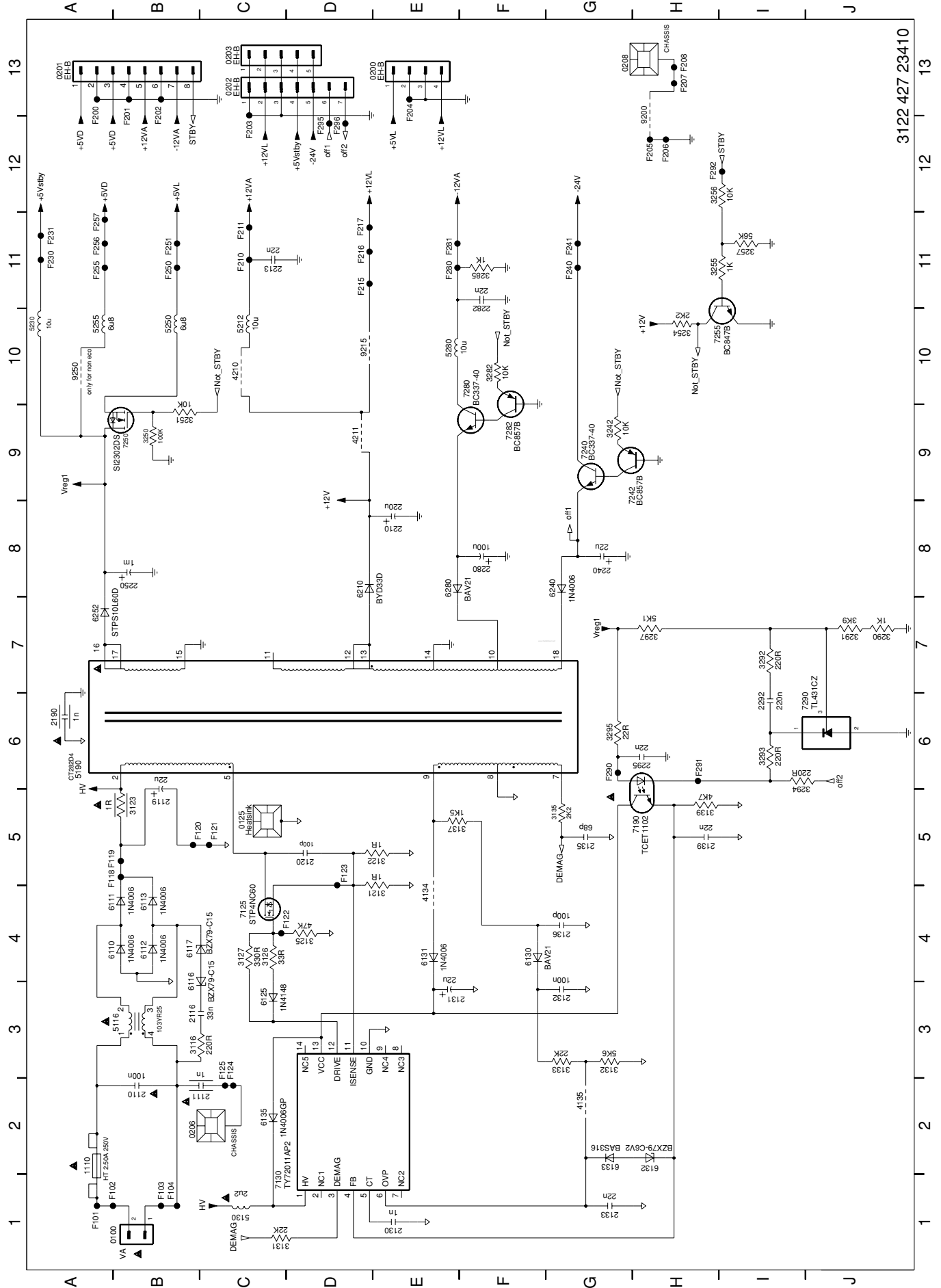
Therefore no service parts list is published in this chapter.

The only service part available for replacement is:

PSU Board ..... 3122 429 00131



CIRCUIT DIAGRAM (FOR INFORMATION ONLY)



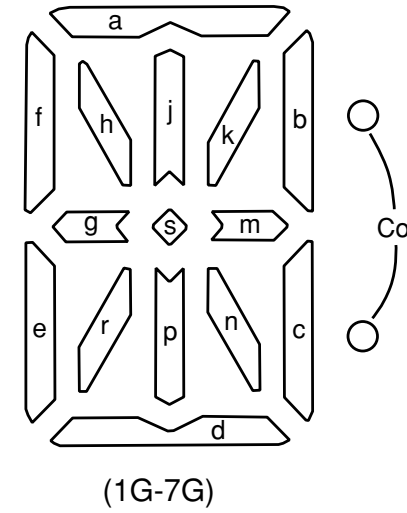
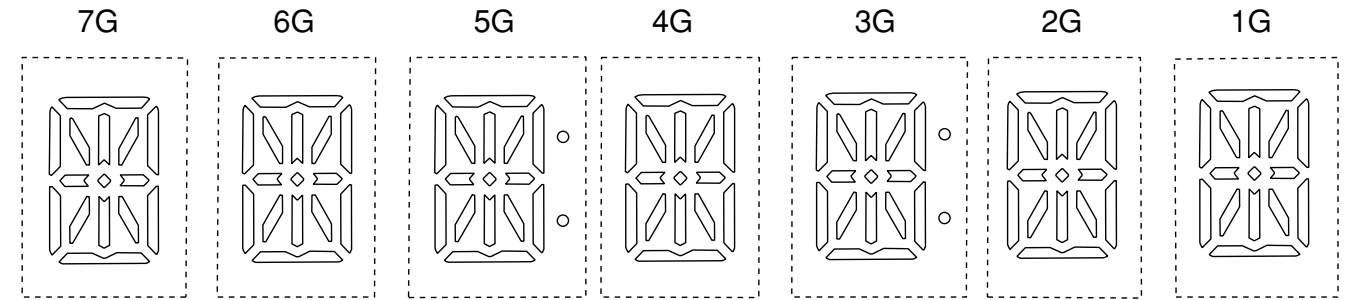
3122 427 23410

# FRONT BOARDS

## TABLE OF CONTENTS

FTD Display pin connection ..... 6-1  
 uPD16312 Internal Block diagram ..... 6-2  
 Front Standby part - circuit & layouts ..... 6-2  
 Front Display part - Circuit diagram ..... 6-3  
 Front Display part - Component & Chip layouts ..... 6-4  
 Front Display part - Chip layout Part A ..... 6-5  
 Front Display part - Chip layout Part B ..... 6-6  
 Electrical parts list ..... 6-7

## FTD DISPLAY PIN CONNECTIONS

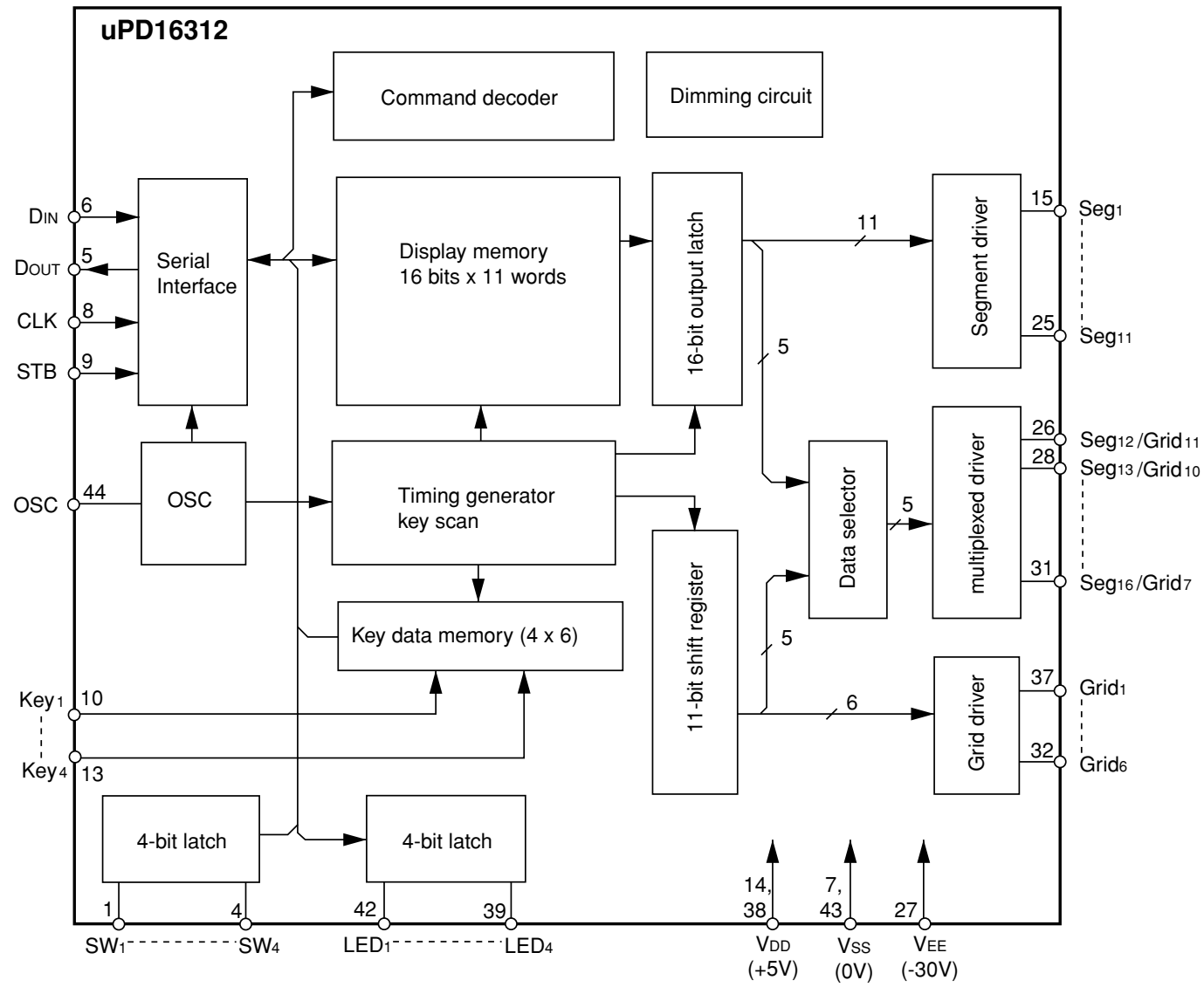


	7G	6G	5G	4G	3G	2G	1G
P1	a	a	a	a	a	a	a
P2	j, p	j, p	j, p	j, p	j, p	j, p	j, p
P3	h	h	h	h	h	h	h
P4	k	k	k	k	k	k	k
P5	b	b	b	b	b	b	b
P6	f	f	f	f	f	f	f
P7	m	m	m	m	m	m	m
P8	g	g	g	g	g	g	g
P9	c	c	c	c	c	c	c
P10	e	e	e	e	e	e	e
P11	r	r	r	r	r	r	r
P12	n	n	n	n	n	n	n
P13	d	d	d	d	d	d	d
P14	-	-	col	-	col	-	-
P15	s	s	s	s	s	s	s

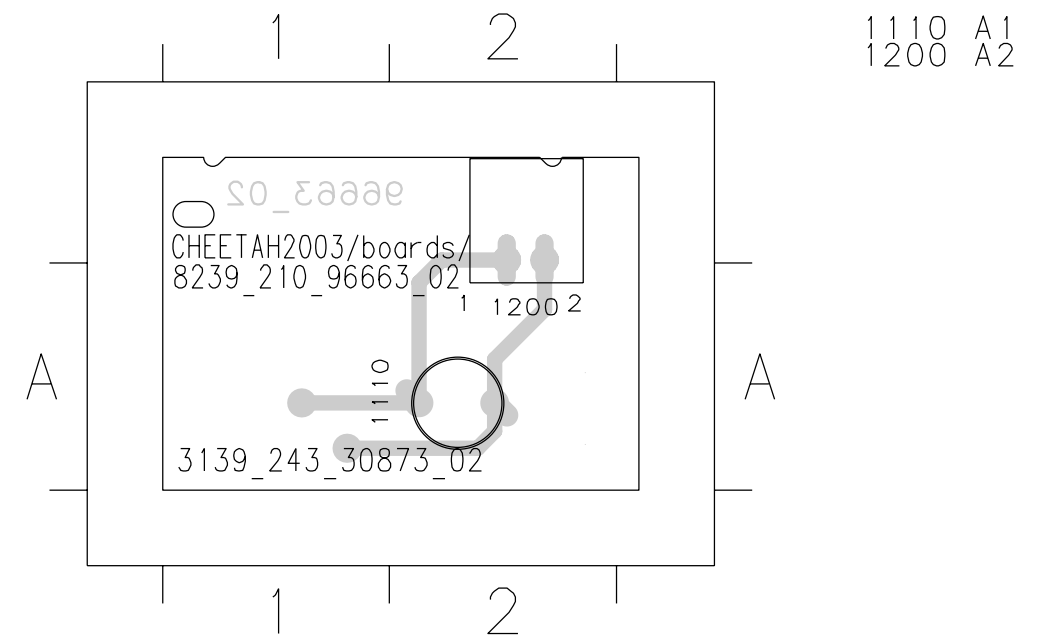
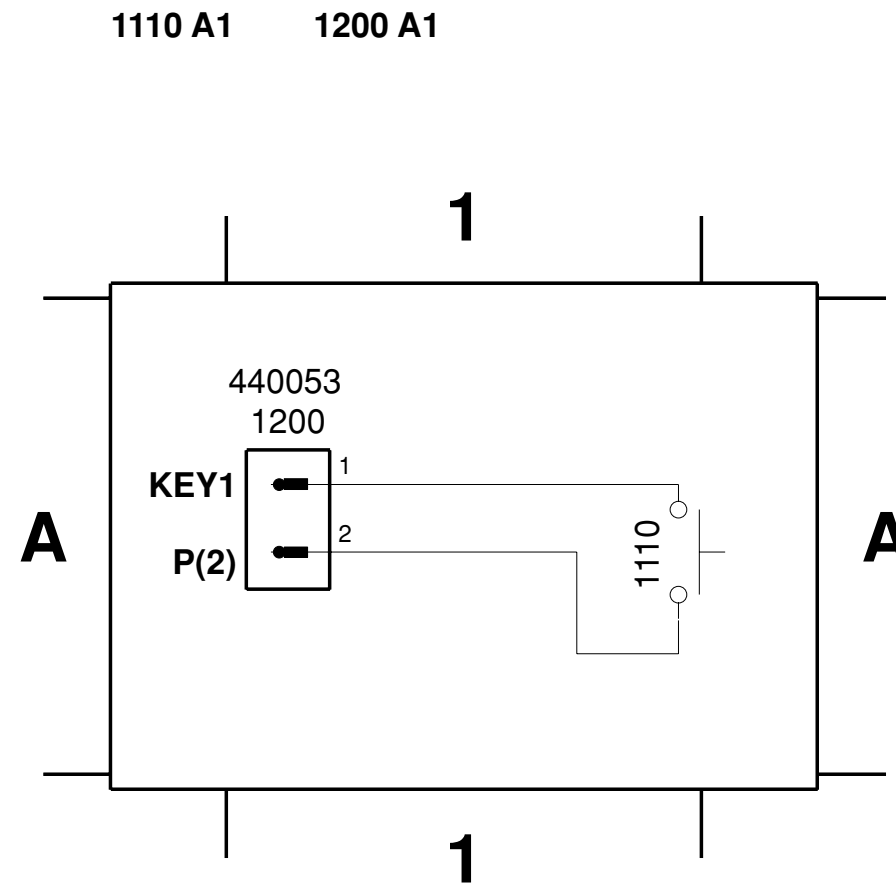
FTD DISPLAY PIN NO.	1	2	3	4	5	6	7	8	9	0	1	2	3	4	5	6	7	8	9	0	1	2	3	4	5	6	7	8	9	0	1	2	3	3
FUNCTION	F	F	N	P	P	P	P	P	P	P	P	P	P	P	P	P	N	N	N	N	N	7	6	5	4	3	2	1	N	F	F	F	F	
	1	1	P	1	2	3	4	5	6	7	8	9	10	11	12	13	14	15	P	P	P	P	G	G	G	G	G	G	P	2	2	2	2	



uPD16312 Internal Block diagram

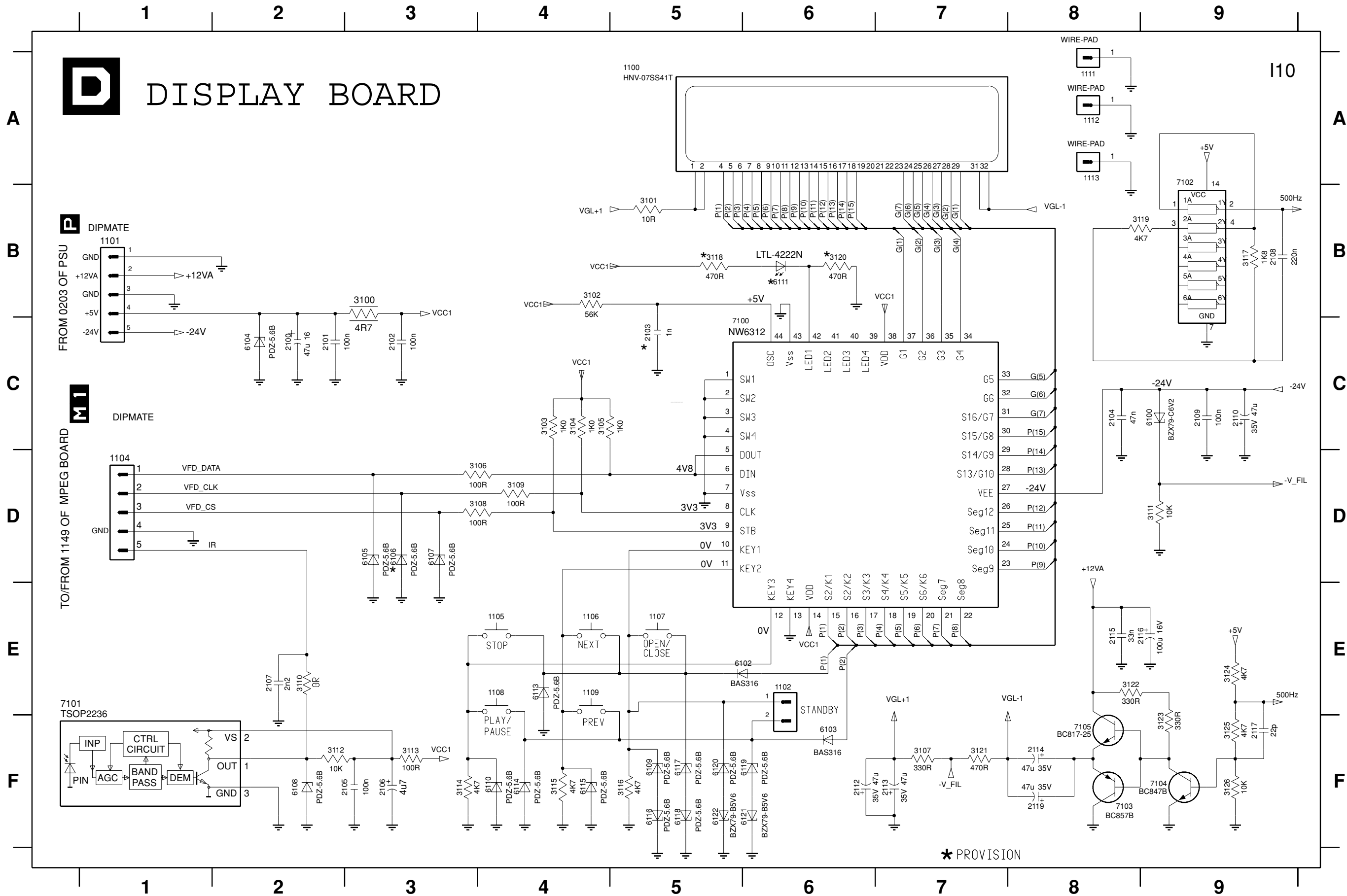


FRONT STANDBY PART - CIRCUIT & LAYOUT DIAGRAM



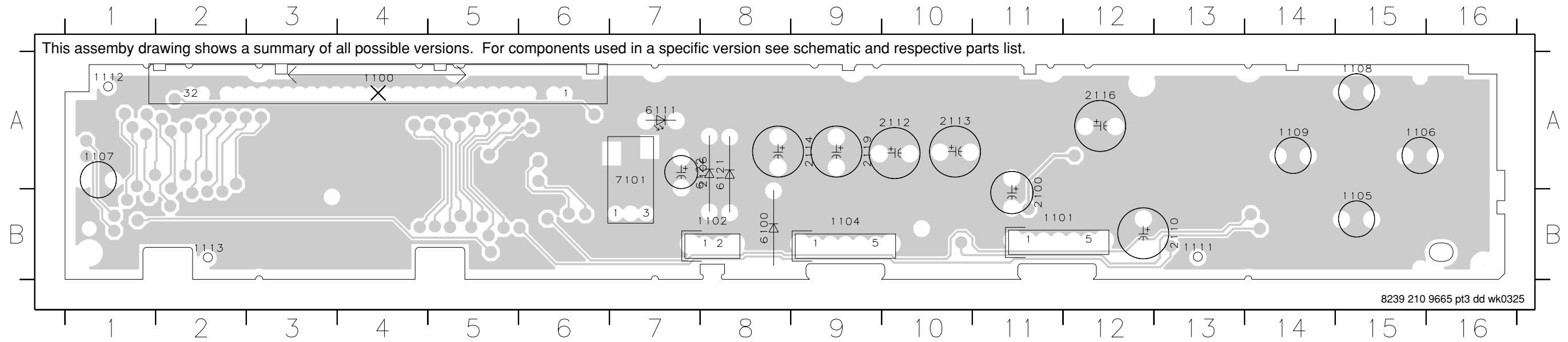
# FRONT DISPLAY PART - CIRCUIT DIAGRAM

1100 A5	1104 D1	1107 E5	1111 A8	2100 C2	2103 C5	2106 F3	2109 C9	2113 F7	2116 E9	3100 B3	3103 C4	3106 D4	3109 D4	3112 F2	3115 F4	3118 B5	3121 F7	3124 E9	6100 C9	6104 C2	6107 D3	6110 F4	6114 F4	6117 F5	6120 F5	7100 C6	7104 F9
1101 B1	1105 E4	1108 E4	1112 A8	2101 C2	2104 C8	2107 E2	2110 C9	2114 F8	2117 F9	3101 B5	3104 C4	3107 F7	3110 E2	3113 F3	3116 F5	3119 B9	3122 E8	3125 F9	6102 E6	6105 D3	6108 F2	6111 B6	6115 F4	6118 F5	6121 F6	7102 B9	7105 F8
1102 E6	1106 E4	1109 E4	1113 A8	2102 C3	2105 F3	2108 B9	2112 F6	2115 E8	2119 F8	3102 B4	3105 C4	3108 D4	3111 D9	3114 F3	3117 B9	3120 B6	3123 F9	3126 F9	6103 F6	6106 D3	6109 F5	6113 E4	6116 F5	6119 F6	6122 F5	7103 F8	

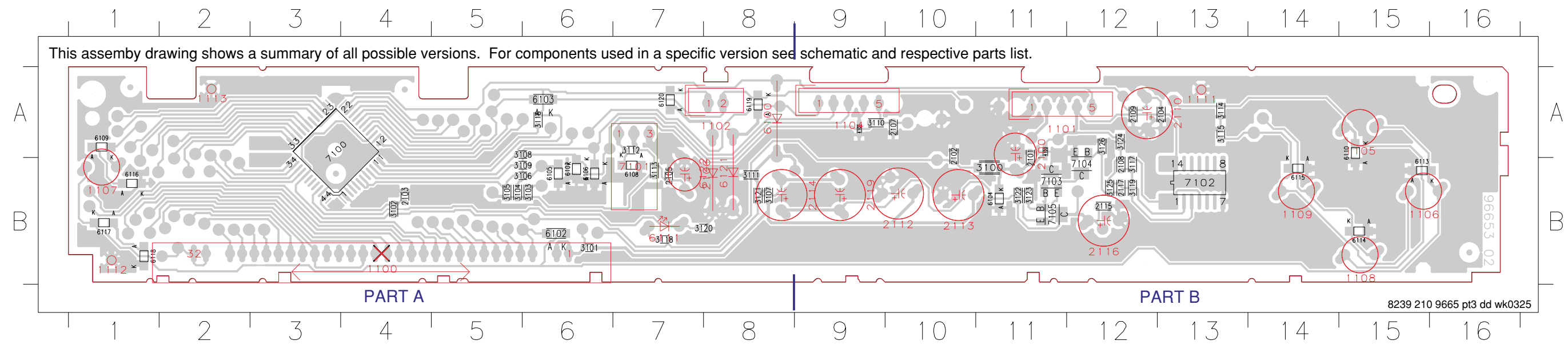


# FRONT DISPLAY PART - COMPONENT & CHIP LAYOUT

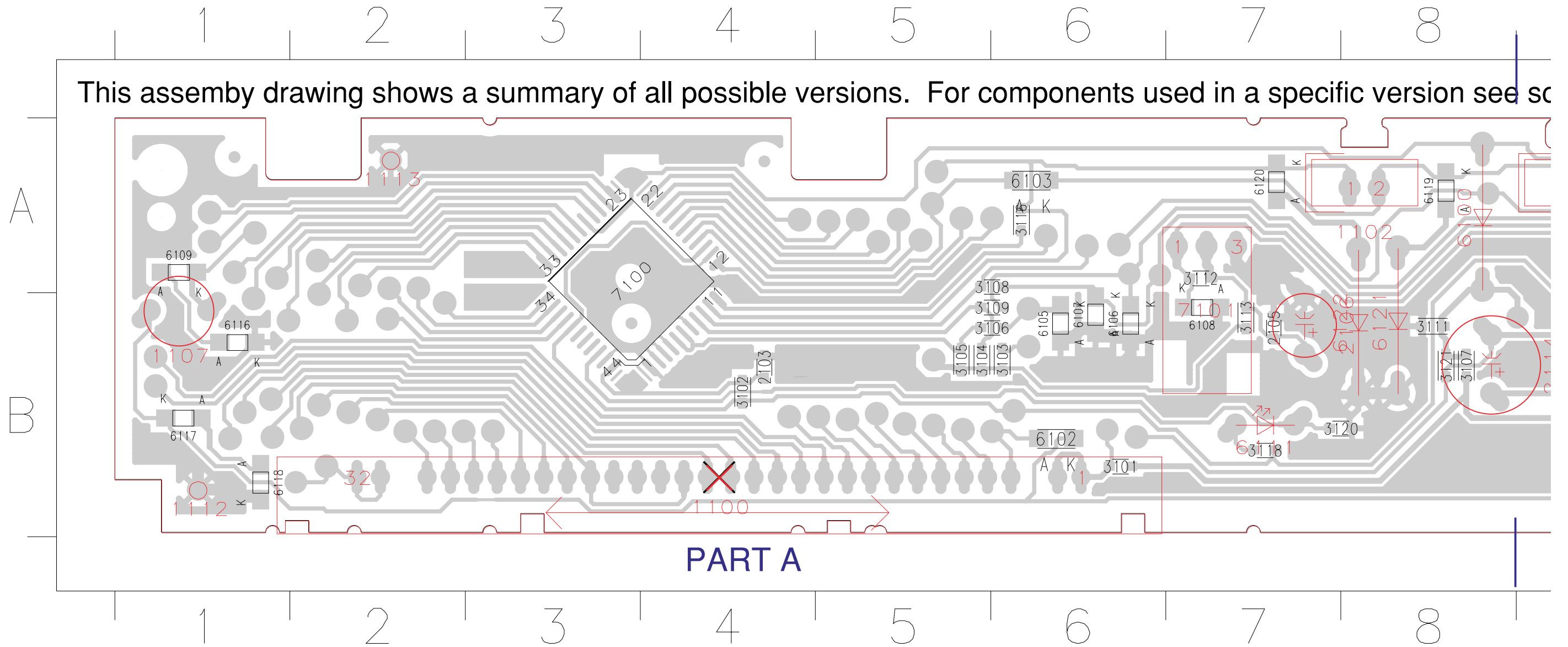
1100 A4	1104 B9	1107 A1	1111 B13	2100 B11	2112 A10	2116 A12	6111 A7	7101 A7
1101 B11	1105 B15	1108 A15	1112 A1	2106 A8	2113 A10	2119 A9	6121 A8	
1102 B8	1106 A15	1109 A14	1113 B2	2110 B13	2114 A9	6100 B8	6122 A7	



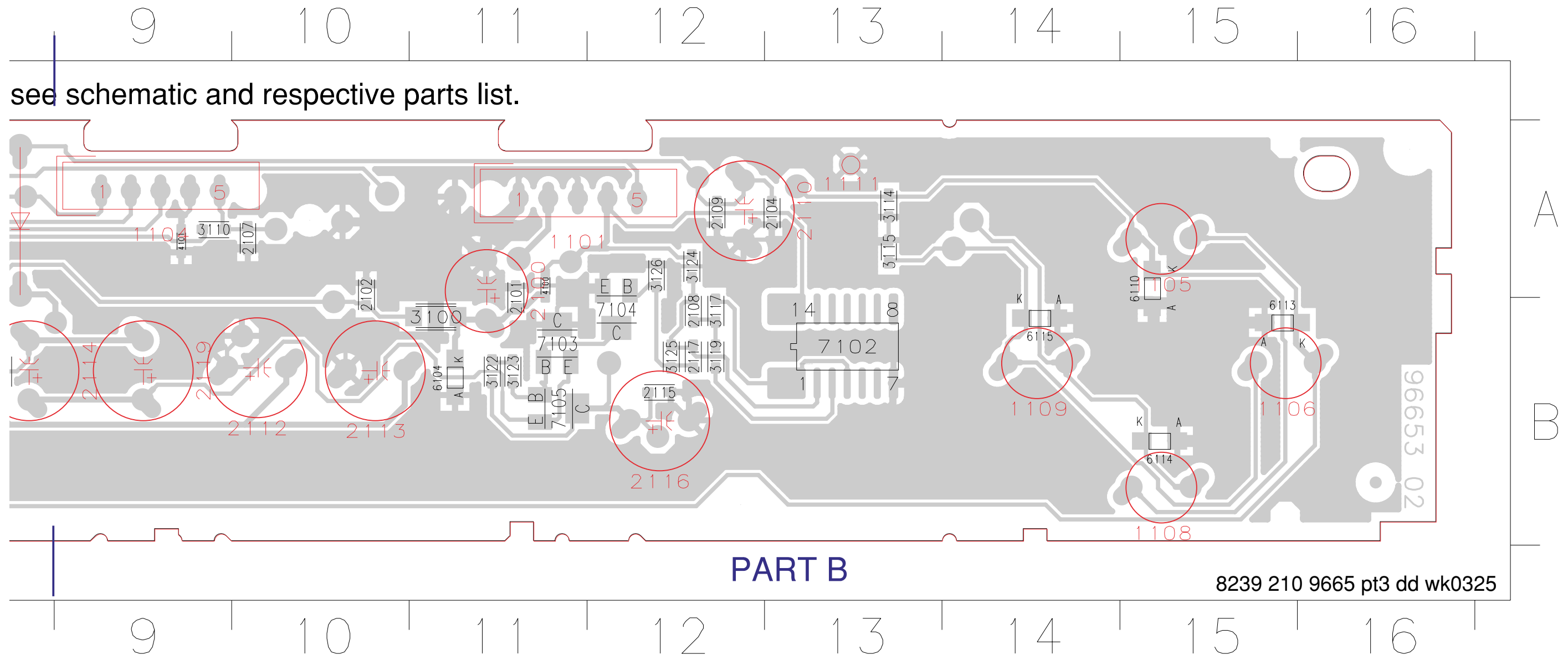
2101 A11	2107 A10	3100 B11	3105 B5	3110 A9	3115 A13	3120 B7	3125 B12	6103 A6	6108 B7	6115 B14	6120 A7	7105 B11
2102 A10	2108 B12	3101 B6	3106 B5	3111 B8	3117 A6	3121 B8	3126 A12	6104 A6	6109 A1	6116 B11	7100 A3	
2103 B4	2109 A12	3102 B4	3107 B6	3112 A7	3118 B12	3122 A11	3127 B1	6105 B6	6113 A15	6117 B11	7102 B13	
2104 A13	2110 B12	3103 B6	3108 A6	3113 B7	3119 B12	3123 A11	4100 A9	6106 B6	6114 B15	6118 B11	7103 B11	
2105 B7	2117 B12	3104 B5	3109 B6	3114 A13	3119 B12	3124 A12	4101 A9	6107 B6	6119 B15	6121 B11	7104 B12	



FRONT DISPLAY PART - CHIP LAYOUT PART A



FRONT DISPLAY PART - CHIP LAYOUT PART B



**ELECTRICAL PARTS LIST - FRONT BOARDS****MISCELLANEOUS**

1100	3139 240 50661	FTD DisplayHNV-07SS56T
1105	4822 276 13775	Tact Switch
1106	4822 276 13775	Tact Switch
1107	4822 276 13775	Tact Switch
1108	4822 276 13775	Tact Switch
1109	4822 276 13775	Tact Switch
1110	4822 276 13775	Tact Switch

**CAPACITORS**

2100	4822 124 81286	47uF 20% 16V
2101	2238 586 59812	100nF +80/-20% 50V
2102	2238 586 59812	100nF +80/-20% 50V
2104	3198 024 44730	47nF 50V
2105	2238 586 59812	100nF +80/-20% 50V
2106	4822 124 81286	47uF 20% 16V
2107	4822 126 14238	2,2nF 50V
2108	4822 126 13879	220nF 20% 16V
2109	2238 586 59812	100nF +80/-20% 50V
2110	3198 028 44790	47uF 20% 35V
2112	3198 028 44790	47uF 20% 35V
2113	3198 028 44790	47uF 20% 35V
2114	3198 028 44790	47uF 20% 35V
2115	4822 126 14549	33nF 16V
2116	4822 124 41643	100uF 20% 16V
2117	4822 122 33761	22pF 5% 50V
2119	3198 028 44790	47uF 20% 35V

**RESISTORS**

3100	4822 117 11152	4R7 5%
3101	4822 051 30109	10R 5% 0,062W
3102	4822 051 30563	56k 5% 0,062W
3103	4822 051 30102	1k 5% 0,062W
3104	4822 051 30102	1k 5% 0,062W
3105	4822 051 30102	1k 5% 0,062W
3106	4822 051 30101	100R 5% 0,062W
3107	4822 051 30331	330R 5% 0,062W
3108	4822 051 30101	100R 5% 0,062W
3109	4822 051 30101	100R 5% 0,062W
3110	4822 051 30008	0R Jumper 0603
3111	4822 051 30103	10k 5% 0,062W
3112	4822 051 30103	10k 5% 0,062W
3113	4822 051 30479	47R 5% 0,062W
3114	4822 051 30472	4k7 5% 0,062W
3115	4822 051 30472	4k7 5% 0,062W
3116	4822 051 30472	4k7 5% 0,062W
3117	4822 117 12903	1k8 1% 0,063W
3119	4822 051 30472	4k7 5% 0,062W
3121	4822 051 30471	470R 5% 0,062W
3122	4822 051 30331	330R 5% 0,062W
3123	4822 051 30331	330R 5% 0,062W
3124	4822 051 30472	4k7 5% 0,062W
3125	4822 051 30472	4k7 5% 0,062W

3126	4822 051 30103	10k 5% 0,062W
4100	4822 051 30008	0R Jumper 0603
4101	4822 051 30008	0R Jumper 0603

**DIODES**

6100	4822 130 34167	BZX79-B6V2
6102	4822 130 11397	BAS316
6103	4822 130 11397	BAS316
6104	3198 020 55680	BZX384-C5V6
6105	3198 020 55680	BZX384-C5V6
6106	3198 020 55680	BZX384-C5V6
6107	3198 020 55680	BZX384-C5V6
6108	3198 020 55680	BZX384-C5V6
6109	3198 020 55680	BZX384-C5V6
6110	3198 020 55680	BZX384-C5V6
6113	3198 020 55680	BZX384-C5V6
6114	3198 020 55680	BZX384-C5V6
6115	3198 020 55680	BZX384-C5V6
6116	3198 020 55680	BZX384-C5V6
6117	3198 020 55680	BZX384-C5V6
6118	3198 020 55680	BZX384-C5V6
6119	3198 020 55680	BZX384-C5V6
6120	3198 020 55680	BZX384-C5V6
6121	4822 130 34173	BZX79-C5V6
6122	4822 130 34173	BZX79-C5V6

**TRANSISTORS & INTEGRATED CIRCUITS**

7100	9322 186 03671	UPD16312GB-3B4
7101	9322 155 82667	IR RECEIVER TSOP2236
7102	5322 209 11517	PC74HCU04T
7103	4822 130 60373	BC857B
7104	5322 130 60159	BC847B
7105	4822 130 42804	BC817-25

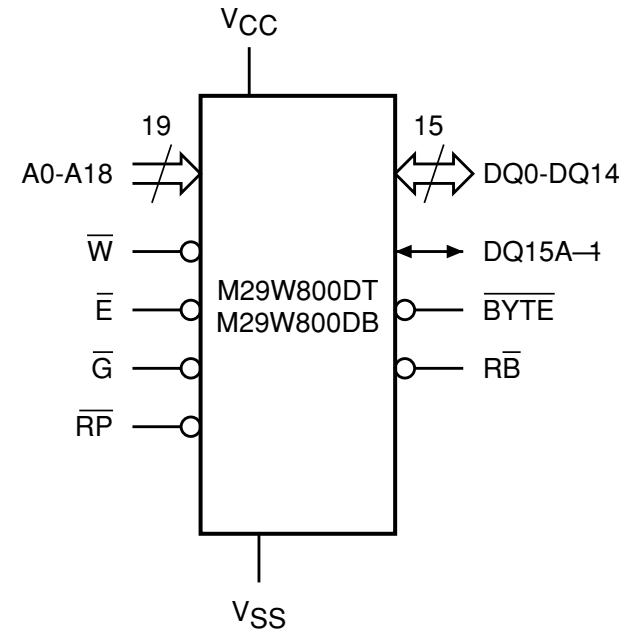
Note: Only the parts mentioned in this list are normal service spare parts.

# MPEG BOARD

**TABLE OF CONTENTS**

M29W800DT Internal Block diagram ..... 7-1  
 MPEG Processor Circuit ..... 7-2  
 Audio & Power Circuit ..... 7-3  
 Video & Scart Circuit ..... 7-4  
 Component & Chip Layout Mapping Information ..... 7-5  
 Bottom View - Component Layout ..... 7-6  
 Top View - Component & Chip Layout ..... 7-7  
 Top View - Component & Chip Layout Part A ..... 7-8  
 Top View - Component & Chip Layout Part B ..... 7-9  
 Top View - Component & Chip Layout Part C ..... 7-10  
 Top View - Component & Chip Layout Part D ..... 7-11  
 Electrical parts list ..... 7-12

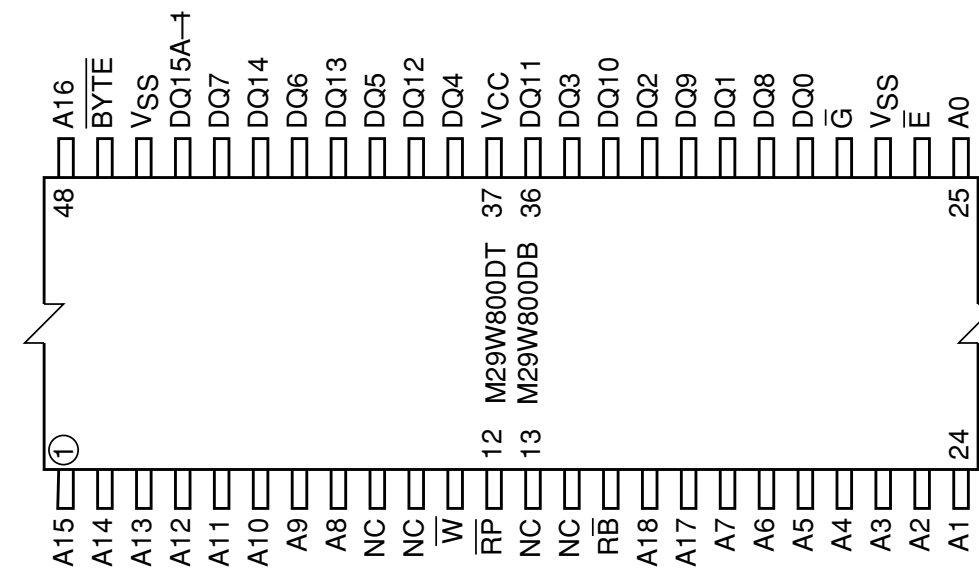
**Logic Diagram**



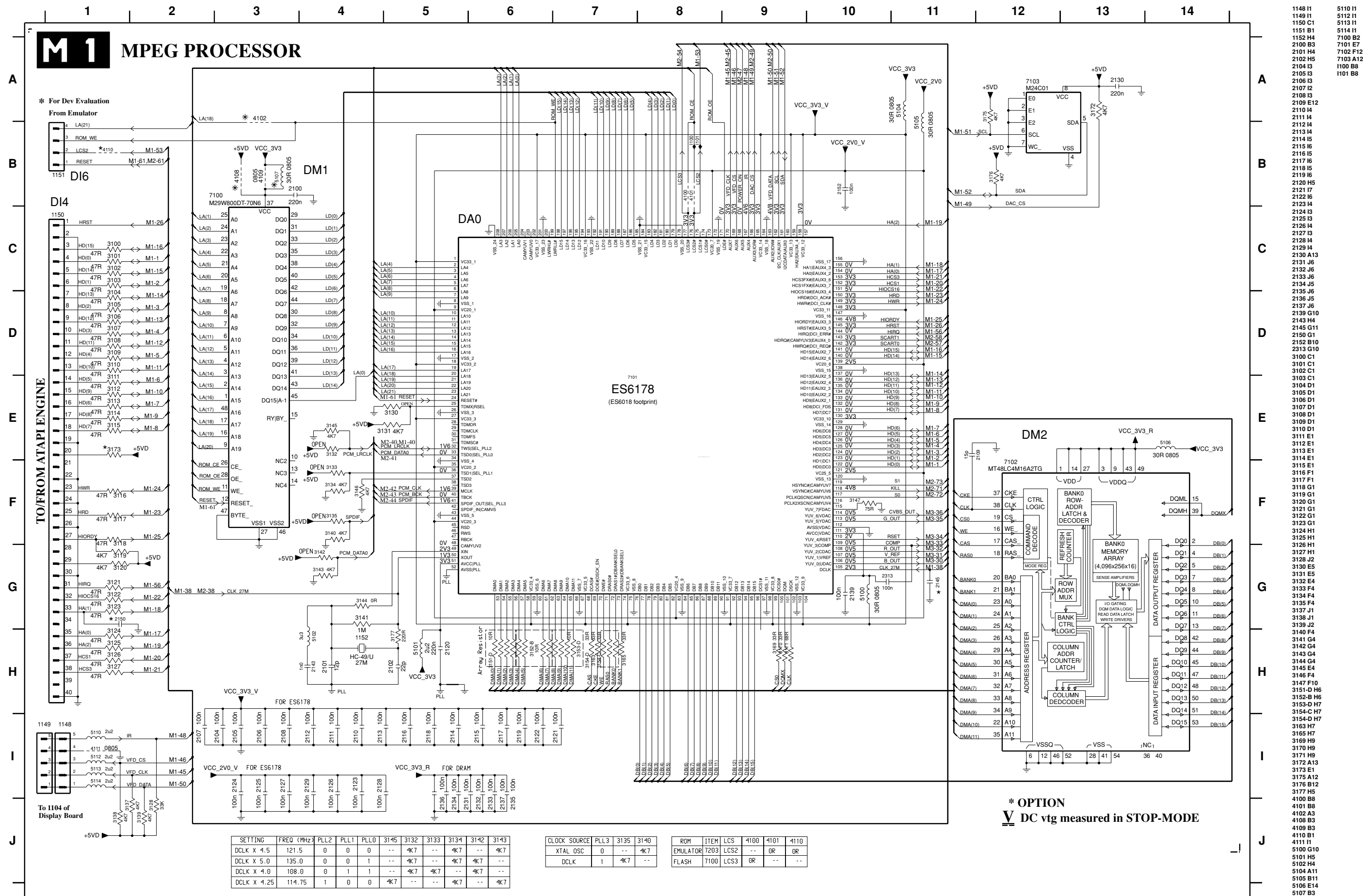
**Signal Names**

A0-A18	Address Inputs
DQ0-DQ7	Data Inputs/Outputs
DQ8-DQ14	Data Inputs/Outputs
DQ15A-4	Data Input/Output or Address Input
$\bar{E}$	Chip Enable
$\bar{G}$	Output Enable
$\bar{W}$	Write Enable
$\bar{RP}$	Reset/Block Temporary Unprotect
$\bar{RB}$	Ready/Busy Output (not available on SO44 package)
$\bar{BYTE}$	Byte/Word Organization Select
VCC	Supply Voltage
VSS	Ground
NC	Not Connected Internally

**Pins connection**



# MPEG PROCESSOR CIRCUIT



SETTING	FREQ (MHz)	PLL2	PLL1	PLL0	3145	3132	3133	3134	3142	3143
DCLK X 4.5	121.5	0	0	0	--	*K7	--	*K7	--	*K7
DCLK X 5.0	135.0	0	0	1	--	*K7	--	*K7	*K7	--
DCLK X 4.0	108.0	0	1	1	--	*K7	*K7	--	*K7	--
DCLK X 4.25	114.75	1	0	0	*K7	--	--	*K7	--	*K7

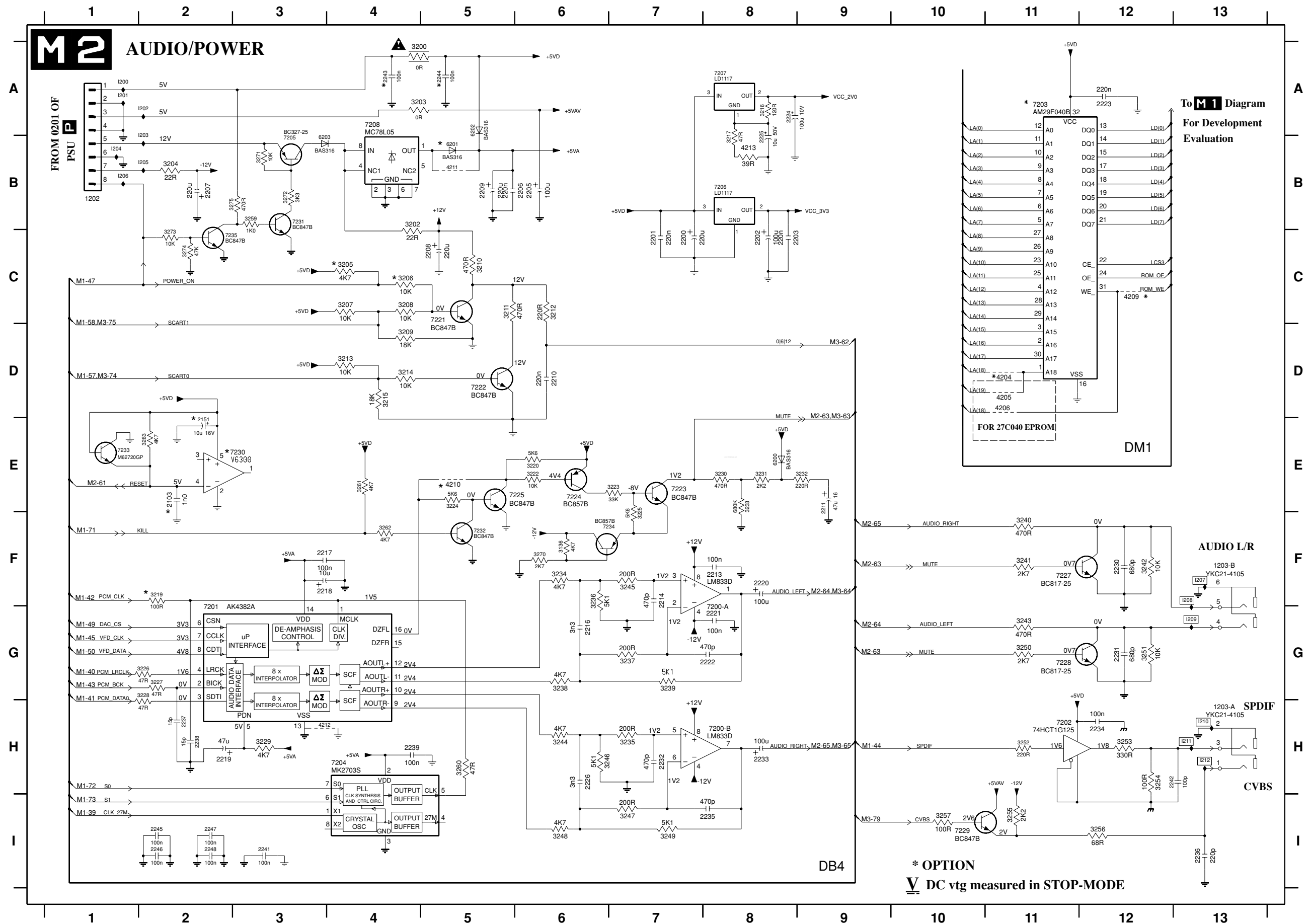
CLOCK SOURCE	PLL3	3135	3140
XTAL OSC	0	--	*K7
DCLK	1	*K7	--

ROM	ITEM	LCS	4100	4101	4110
EMULATOR	7203	LCS2	--	0R	0R
FLASH	7100	LCS3	0R	--	--

- 1148 I1
- 1149 I1
- 1150 C1
- 1151 B1
- 1152 H4
- 2100 B3
- 2101 H4
- 2102 H5
- 2104 I3
- 2105 I3
- 2106 I3
- 2107 I2
- 2108 I3
- 2109 E12
- 2110 A4
- 2111 I4
- 2112 I4
- 2113 A4
- 2114 I5
- 2115 I6
- 2116 I5
- 2117 I6
- 2118 I5
- 2119 I6
- 2120 H5
- 2121 I7
- 2122 I6
- 2123 I4
- 2124 I3
- 2125 I3
- 2126 I4
- 2127 I3
- 2128 I4
- 2129 I4
- 2130 A13
- 2131 J6
- 2132 J6
- 2133 J6
- 2134 J5
- 2135 J6
- 2136 J5
- 2137 J6
- 2139 G10
- 2143 H4
- 2145 G11
- 2150 G1
- 2152 B10
- 2153 G10
- 3100 C1
- 3101 C1
- 3102 C1
- 3103 C1
- 3104 D1
- 3105 D1
- 3106 D1
- 3107 D1
- 3108 D1
- 3109 D1
- 3110 D1
- 3111 E1
- 3112 E1
- 3113 E1
- 3114 E1
- 3115 E1
- 3116 F1
- 3117 F1
- 3118 G1
- 3119 G1
- 3120 G1
- 3121 G1
- 3122 G1
- 3123 G1
- 3124 H1
- 3125 H1
- 3126 H1
- 3127 H1
- 3128 J1
- 3130 E5
- 3131 E5
- 3132 E4
- 3133 F4
- 3134 F4
- 3135 F4
- 3137 J1
- 3138 J1
- 3139 J2
- 3140 F4
- 3141 G4
- 3142 G4
- 3143 G4
- 3144 G4
- 3145 E4
- 3146 F4
- 3147 F10
- 3151-D H6
- 3152-B H6
- 3153-D H7
- 3154-C H7
- 3154-D H7
- 3163 H7
- 3165 H7
- 3169 H9
- 3170 H9
- 3171 H9
- 3172 A13
- 3173 E1
- 3175 A12
- 3176 B12
- 3177 H5
- 4100 B8
- 4101 B8
- 4102 A3
- 4108 B3
- 4109 B3
- 4110 B1
- 4111 B1
- 5100 G10
- 5101 H5
- 5102 H4
- 5104 A11
- 5105 B11
- 5106 E14
- 5107 B3
- 5110 I1
- 5112 I1
- 5113 I1
- 5114 I1
- 7100 B2
- 7101 E7
- 7102 F12
- 7103 A12
- 1100 B8
- 1101 B8

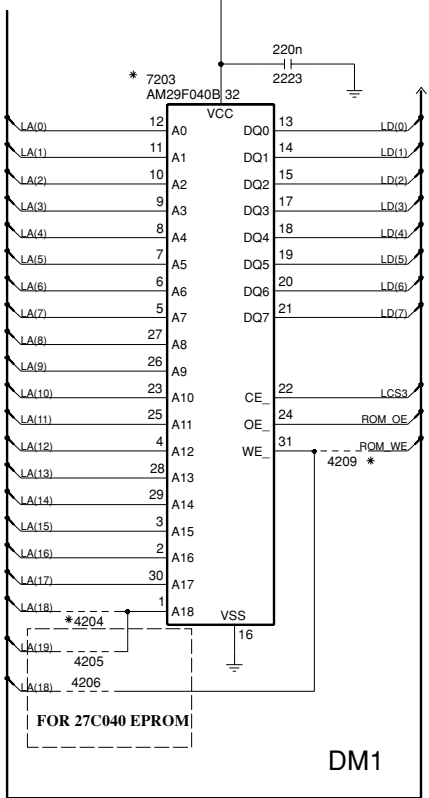


# AUDIO & POWER CIRCUIT



- 1202 B1
- 1203-A H13
- 1203-B F13
- 2103 E2
- 2151 E2
- 2200 C7
- 2201 C7
- 2202 C8
- 2203 C8
- 2205 B6
- 2206 B6
- 2207 B2
- 2208 C5
- 2209 B5
- 2210 D6
- 2211 E9
- 2213 F8
- 2214 F7
- 2216 G6
- 2217 F3
- 2218 F3
- 2219 H2
- 2220 F8
- 2221 G8
- 2222 G8
- 2223 A12
- 2224 A8
- 2225 B8
- 2226 H6
- 2230 F12
- 2231 G12
- 2232 G11
- 2233 H8
- 2234 H12
- 2235 I8
- 2236 I13
- 2237 H2
- 2238 H2
- 2239 H4
- 2241 I3
- 2242 H12
- 2243 A4
- 2244 A5
- 2245 I2
- 2246 I2
- 2247 I2
- 2248 I2
- 3136 F6
- 3200 A4
- 3202 B4
- 3203 A4
- 3204 B2
- 3205 C4
- 3206 C4
- 3207 C4
- 3208 C4
- 3209 D4
- 3210 C5
- 3211 C5
- 3212 C6
- 3213 D4
- 3214 D4
- 3215 D4
- 3216 A8
- 3217 B8
- 3219 F2
- 3220 E6
- 3222 E6
- 3223 E7
- 3224 E5
- 3225 F7
- 3226 G2
- 3227 G2
- 3228 G2
- 3229 H3
- 3230 E8
- 3231 E8
- 3232 E9
- 3233 E8
- 3234 F6
- 3235 H7
- 3236 F6
- 3237 G7
- 3238 G6
- 3239 G7
- 3240 F11
- 3241 F11
- 3242 F12
- 3243 G11
- 3244 H6
- 3245 F7
- 3246 H6
- 3247 I7
- 3248 I6
- 3249 I7
- 3250 G11
- 3251 G12
- 3252 H11
- 3253 H12
- 3254 H12
- 3255 I11
- 3256 I12
- 3257 I10
- 3259 B3
- 3260 H5
- 3261 E4
- 3262 F4
- 3263 E2
- 3270 F6
- 3271 B3
- 3272 B3
- 3273 C2
- 3274 C2
- 3275 B3
- 4204 D11
- 4205 D11
- 4206 D11
- 4209 C12
- 4210 E5
- 4211 B5
- 4212 H3
- 4213 H3
- 6200 E8
- 6201 B5
- 6202 A5
- 6203 B3
- 7200-A G8
- 7200-B H8
- 7201 G2
- 7202 H11
- 7203 A11
- 7204 H4
- 7205 B3
- 7206 B8
- 7207 A8
- 7208 A4
- 7221 C5
- 7222 D5
- 7223 E7
- 7224 E6
- 7225 E5
- 7227 F11
- 7228 G11
- 7229 I10
- 7230 E2
- 7231 B3
- 7232 F5
- 7233 E1
- 7234 F7
- 7235 C2
- I200 A1
- I201 A1
- I202 A2
- I203 A2
- I204 B1
- I205 B2
- I206 B1
- I207 F13
- I208 F13
- I209 G13
- I210 H13
- I211 H13
- I212 H13

To M1 Diagram  
For Development  
Evaluation



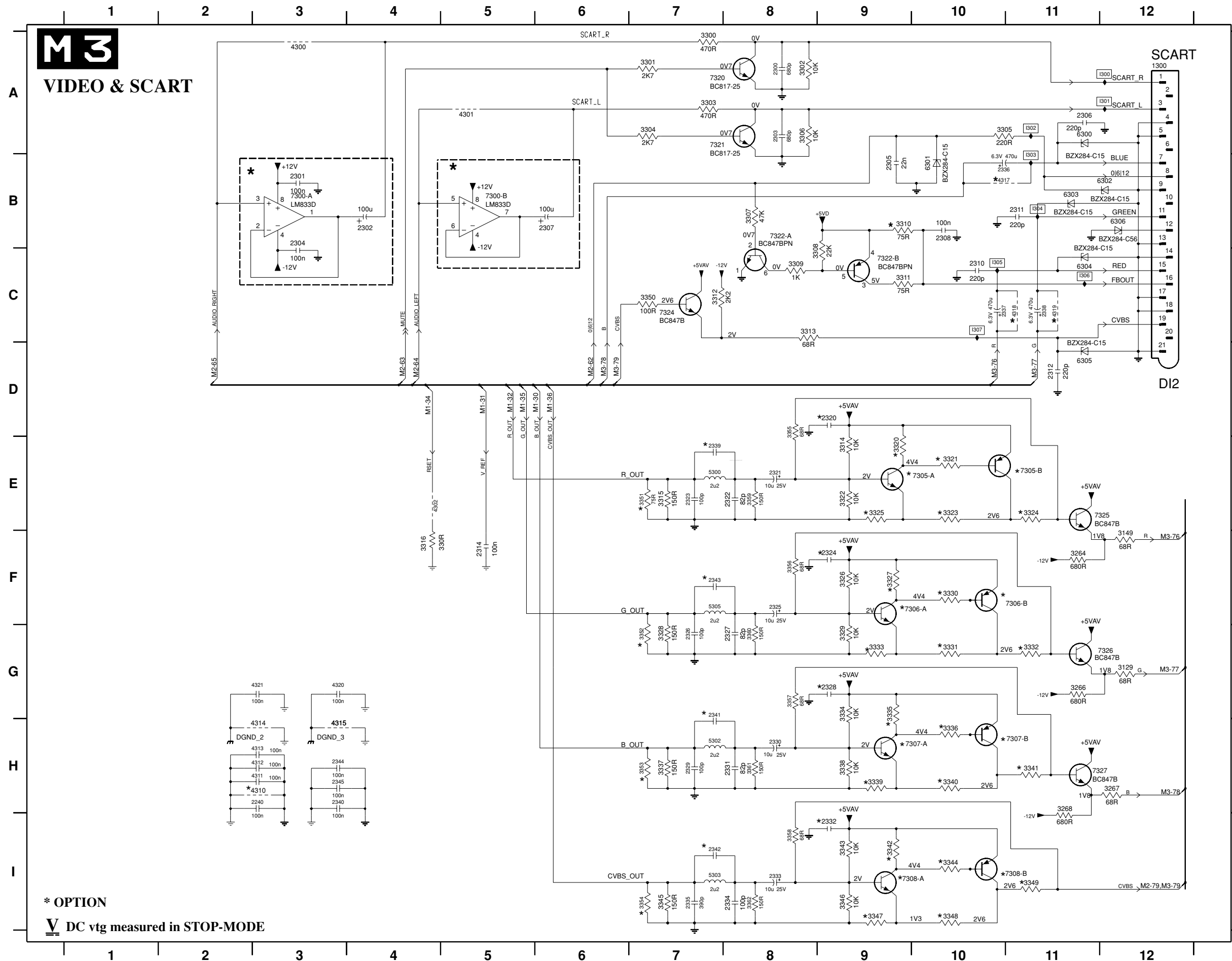
AUDIO L/R

SPDIF

CVBS

\* OPTION  
V DC vtg measured in STOP-MODE

# VIDEO & SCART CIRCUIT



- 1300 A12
- 2240 H3
- 2300 A8
- 2301 B3
- 2302 B4
- 2303 A8
- 2304 B3
- 2305 B9
- 2306 A11
- 2307 B6
- 2308 B10
- 2310 C10
- 2311 B11
- 2312 D11
- 2314 F5
- 2320 D9
- 2321 E8
- 2322 E8
- 2323 E7
- 2324 F9
- 2325 F8
- 2326 G7
- 2327 G8
- 2328 G9
- 2329 H7
- 2330 H8
- 2331 H8
- 2332 I9
- 2333 I8
- 2334 I8
- 2335 I7
- 2336 B10
- 2337 C10
- 2338 C11
- 2339 E7
- 2340 H3
- 2341 G7
- 2342 I7
- 2343 F7
- 2344 H3
- 2345 H3
- 3129 G12
- 3149 F12
- 3264 F11
- 3266 C11
- 3267 H12
- 3268 H11
- 3300 A7
- 3301 A7
- 3302 A8
- 3303 A7
- 3304 A7
- 3305 A10
- 3306 A8
- 3307 B8
- 3308 C9
- 3309 C8
- 3310 B9
- 3311 C9
- 3312 C7
- 3313 C8
- 3314 E9
- 3315 E7
- 3316 F4
- 3320 E9
- 3321 E10
- 3322 E9
- 3323 E10
- 3324 E11
- 3325 E9
- 3326 F9
- 3327 F9
- 3328 G7
- 3329 G9
- 3330 F10
- 3331 G10
- 3332 G11
- 3333 G9
- 3334 G9
- 3335 G9
- 3336 H10
- 3337 H7
- 3338 H9
- 3339 H9
- 3340 H10
- 3341 H11
- 3342 I9
- 3343 I9
- 3344 I10
- 3345 I7
- 3346 I9
- 3347 I9
- 3348 I10
- 3349 I11
- 3350 C7
- 3351 E7
- 3352 G7
- 3353 H7
- 3354 I7
- 3355 D8
- 3356 F8
- 3357 G8
- 3358 I8
- 3359 E8
- 3360 G8
- 3361 H8
- 3362 I8
- 4300 A3
- 4301 A5
- 4302 E4
- 4310 H3
- 4311 H3
- 4312 H3
- 4313 H3
- 4314 H3
- 4315 H3
- 4317 B10
- 4318 C11
- 4319 C11
- 4320 G3
- 4321 G3
- 5300 E7
- 5302 H7
- 5303 I7
- 5305 F7
- 6300 A11
- 6301 B10
- 6302 B12
- 6303 B11
- 6304 C11
- 6305 D11
- 6306 B12
- 7300-A B3
- 7300-B B5
- 7305-A E10
- 7305-B E11
- 7306-A F9
- 7306-B F11
- 7307-A H9
- 7307-B H11
- 7308-A I9
- 7308-B I10
- 7320 A7
- 7321 A7
- 7322-A B8
- 7322-B C9
- 7324 C7
- 7325 E11
- 7326 G11
- 7327 H11
- I300 A12
- I301 A12
- I302 A11
- I303 B11
- I304 B11
- I305 C10
- I306 C11
- I307 C10

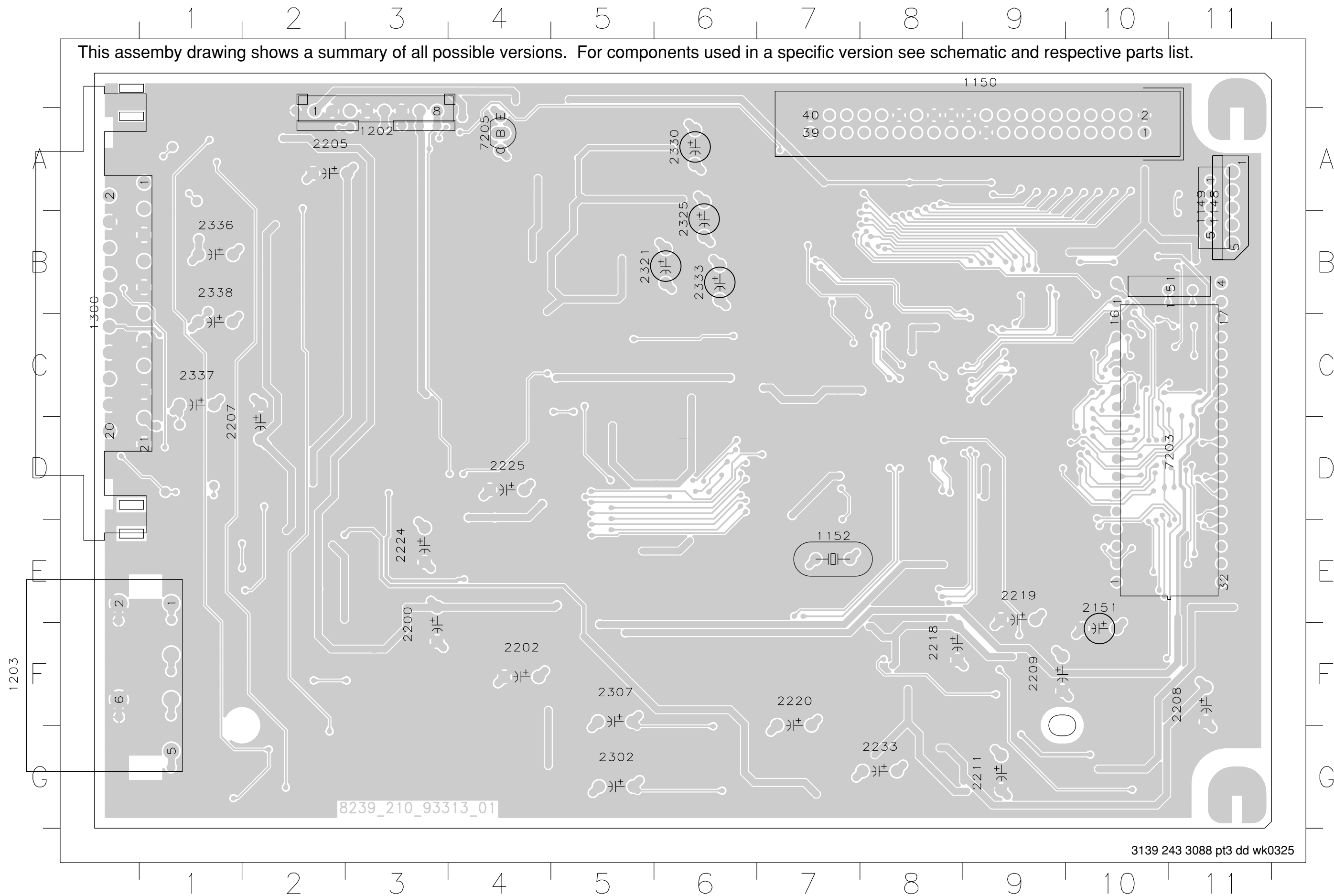
\* OPTION

V DC vtg measured in STOP-MODE



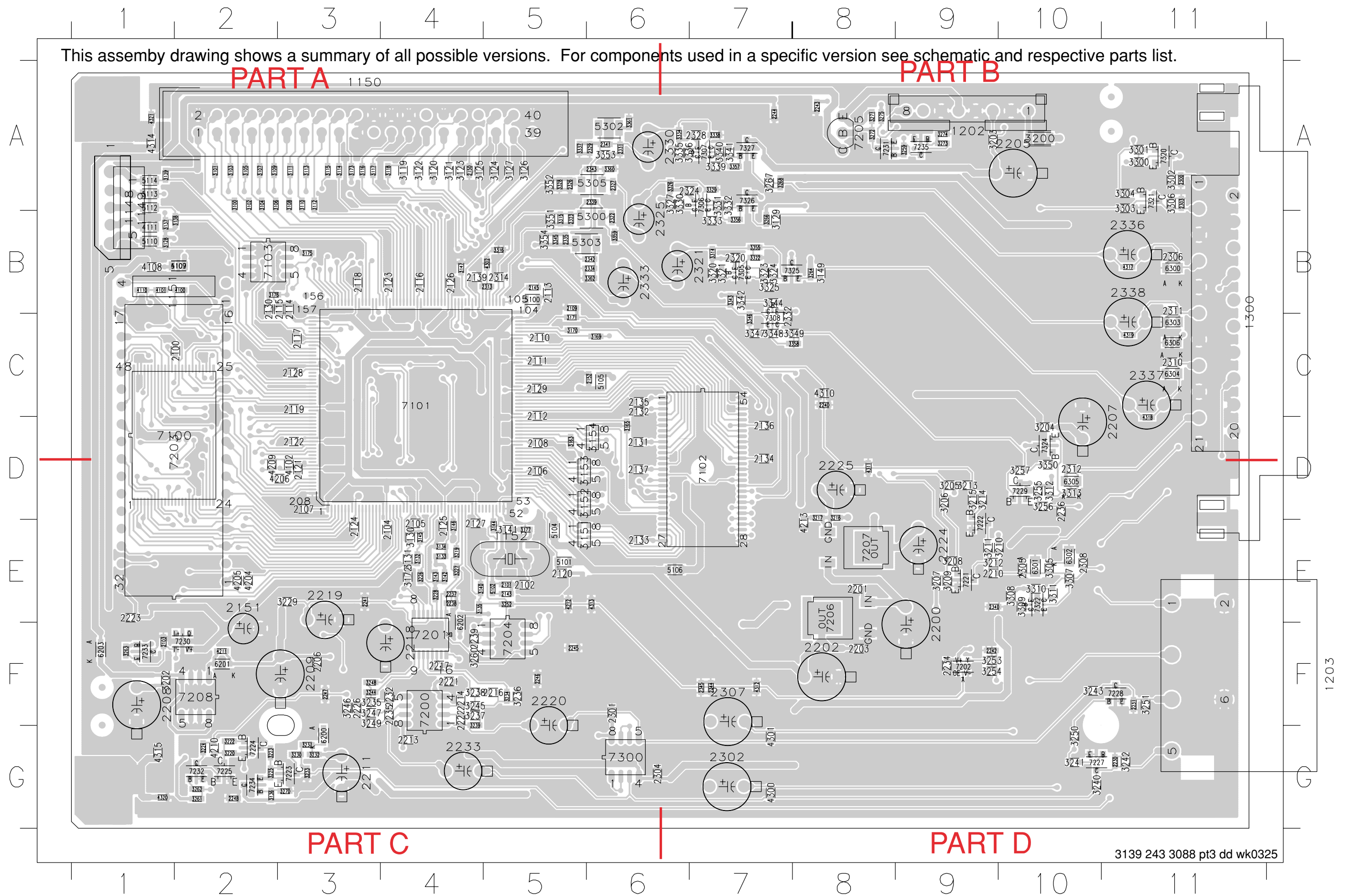
# BOTTOM VIEW - COMPONENT LAYOUT

This assembly drawing shows a summary of all possible versions. For components used in a specific version see schematic and respective parts list.



# TOP VIEW - COMPONENT & CHIP LAYOUT

This assembly drawing shows a summary of all possible versions. For components used in a specific version see schematic and respective parts list.



TOP VIEW - COMPONENT & CHIP LAYOUT PART A

1 2 3 4 5 6

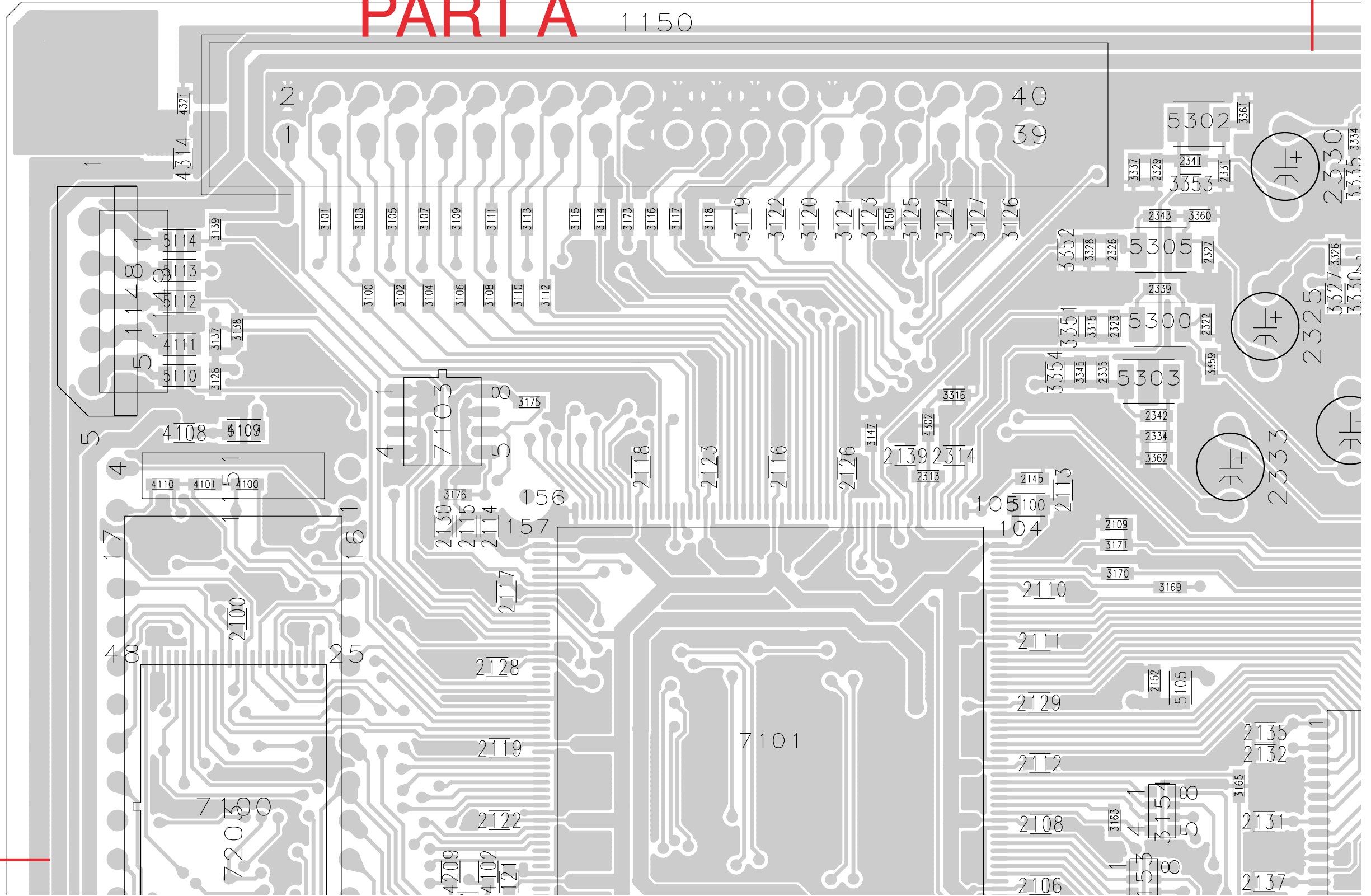
This assembly drawing shows a summary of all possible versions. For components **PART A**

A

B

C

D

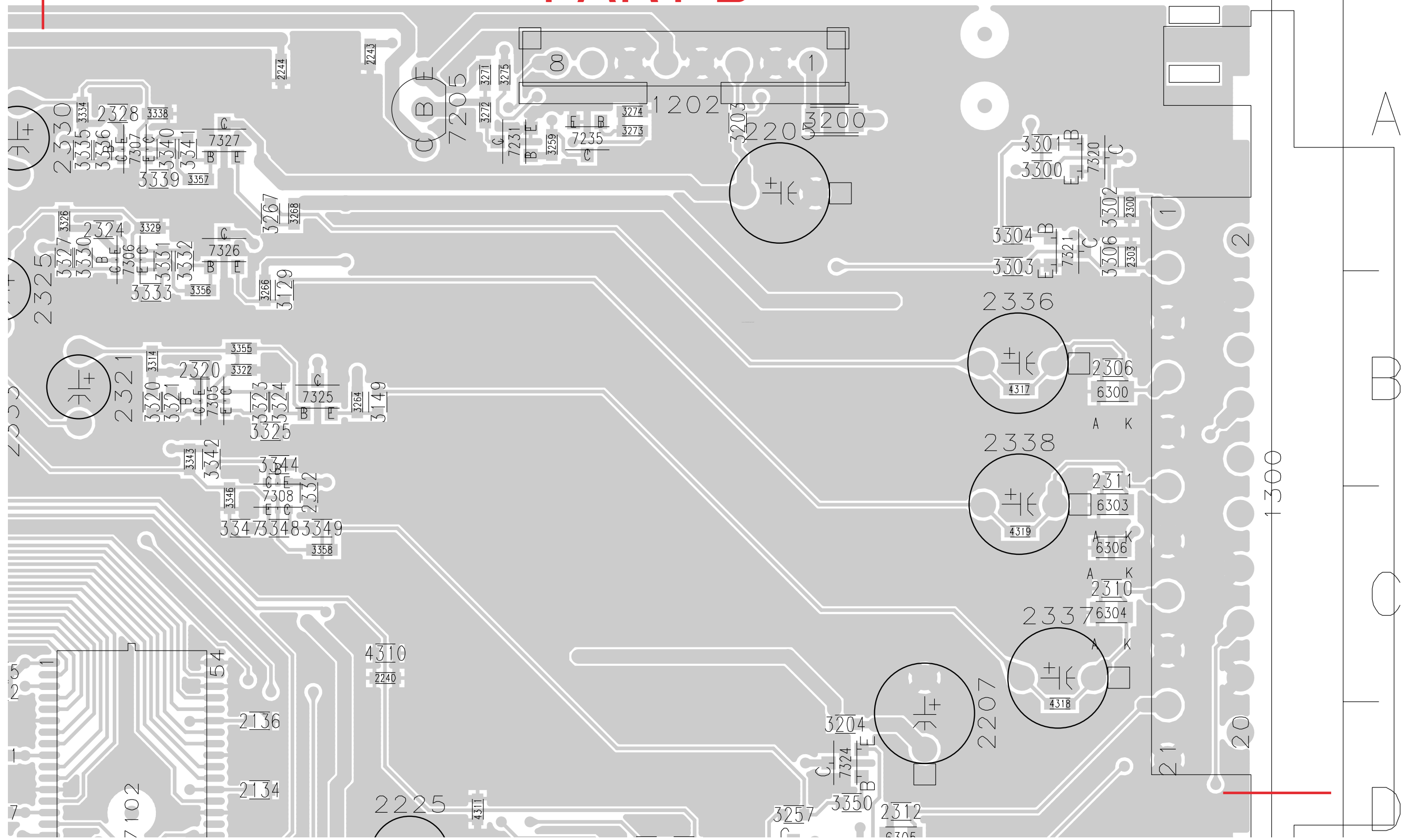


TOP VIEW - COMPONENT & CHIP LAYOUT PART B

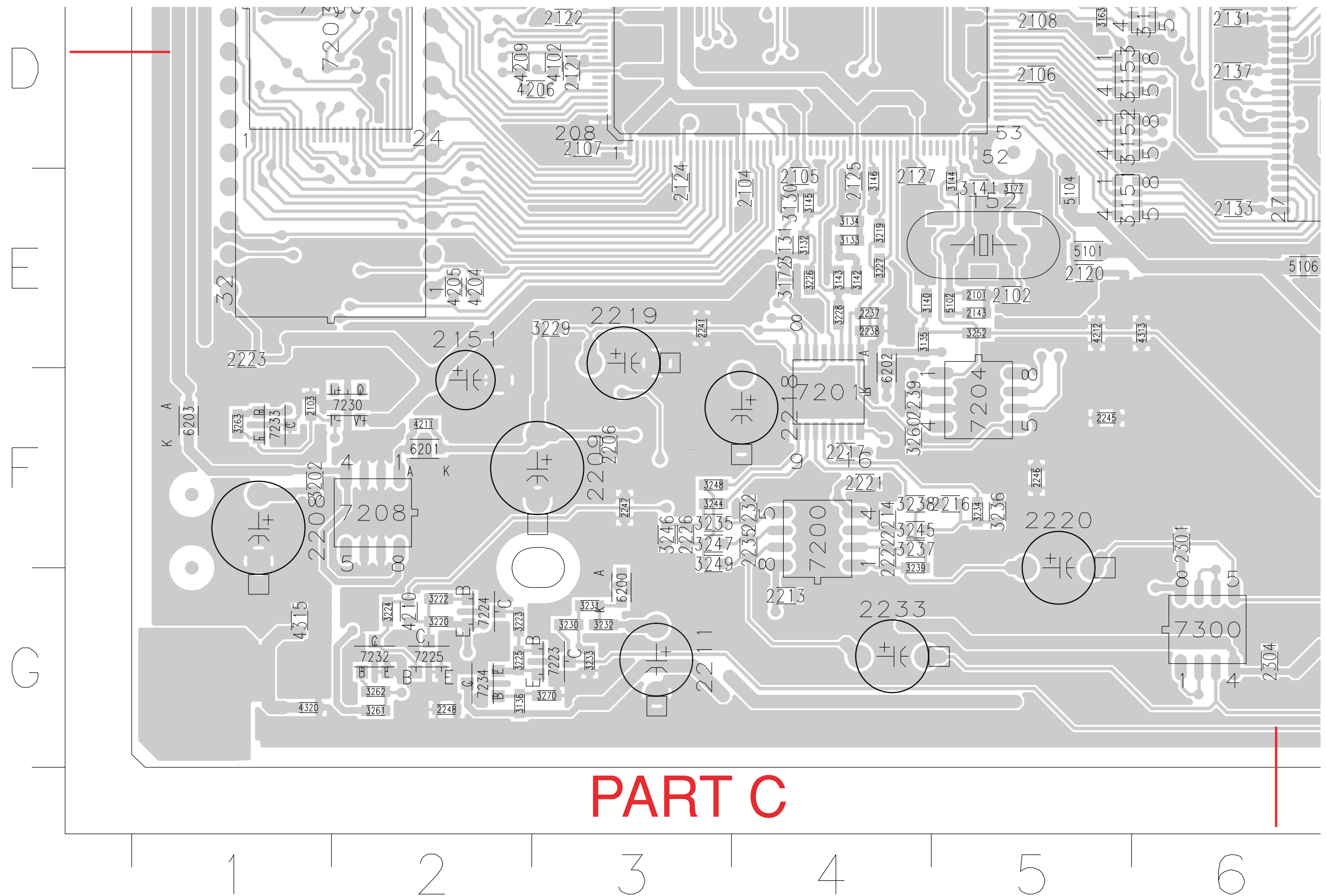
7 8 9 10 11

components used in a specific version see schematic and respective parts list.

PART B

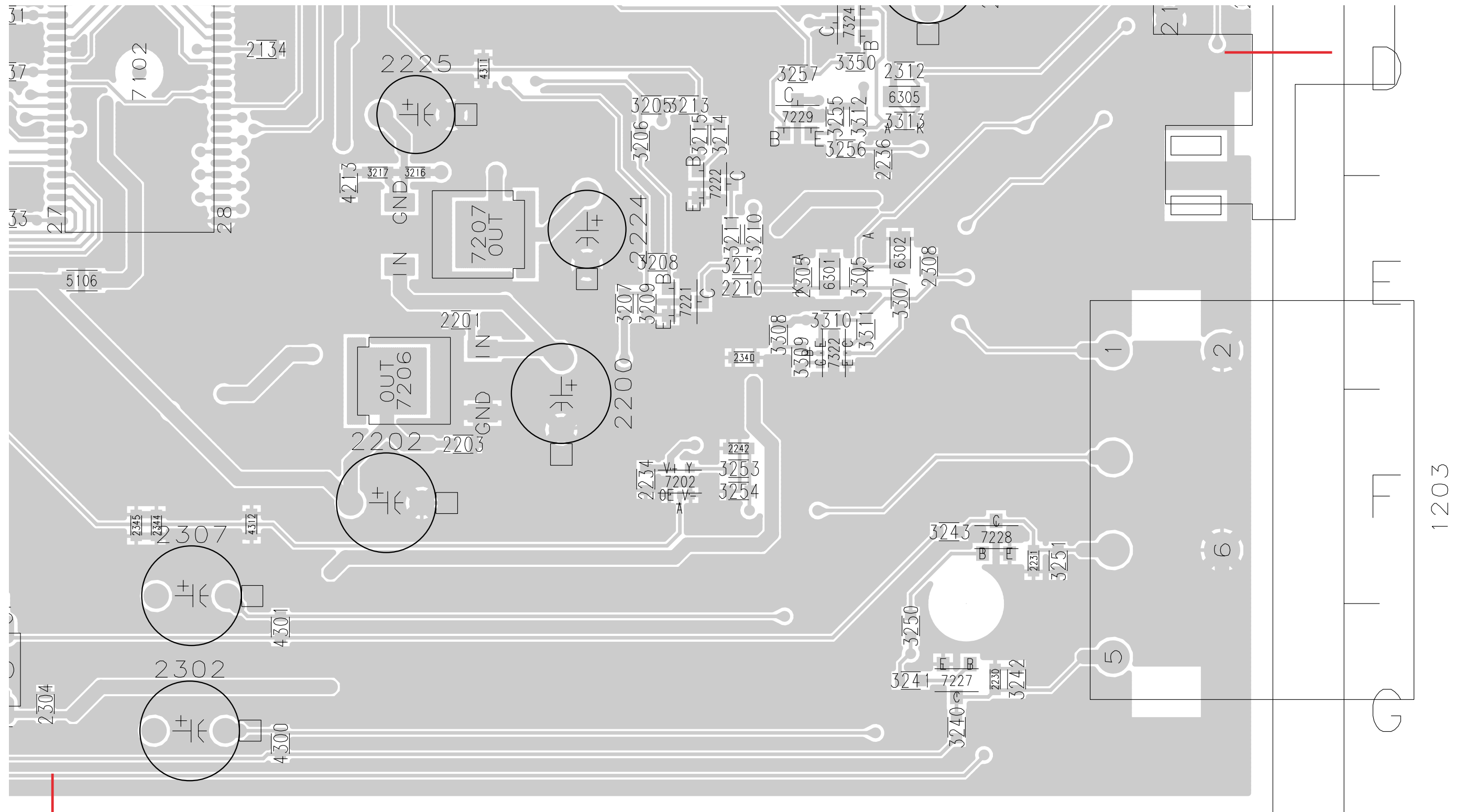


TOP VIEW - COMPONENT & CHIP LAYOUT PART C





TOP VIEW - COMPONENT & CHIP LAYOUT PART D



PART D

3139 243 3088 pt3 dd wk0325



## ELECTRICAL PARTS LIST - MPEG BOARD

## MISCELLANEOUS

2	3139 241 21102	EMC Spring
3	3139 241 21102	EMC Spring
1004	3139 248 82842	MPEG Board Assembly
1150	2422 025 17357	Socket Atapi 40P
1152	4822 242 81246	X'tal Resonator 27MHz
1203	2422 026 05353	Socket Cinch 4P
1300	2422 025 12352	Socket Scart 21P

## CAPACITORS

2100	4822 126 13879	220nF 20% 16V
2101	4822 126 11663	12pF 50V
2102	4822 122 33761	22pF 5% 50V
2104	2238 586 59812	100nF +80/-20% 50V
2105	2238 586 59812	100nF +80/-20% 50V
2106	2238 586 59812	100nF +80/-20% 50V
2107	2238 586 59812	100nF +80/-20% 50V
2108	2238 586 59812	100nF +80/-20% 50V
2109	4822 122 33752	15pF 5% 50V
2110	2238 586 59812	100nF +80/-20% 50V
2111	2238 586 59812	100nF +80/-20% 50V
2112	2238 586 59812	100nF +80/-20% 50V
2113	2238 586 59812	100nF +80/-20% 50V
2114	2238 586 59812	100nF +80/-20% 50V
2115	2238 586 59812	100nF +80/-20% 50V
2116	2238 586 59812	100nF +80/-20% 50V
2117	2238 586 59812	100nF +80/-20% 50V
2118	2238 586 59812	100nF +80/-20% 50V
2119	2238 586 59812	100nF +80/-20% 50V
2120	4822 126 13879	220nF 20% 16V
2121	2238 586 59812	100nF +80/-20% 50V
2122	2238 586 59812	100nF +80/-20% 50V
2123	2238 586 59812	100nF +80/-20% 50V
2124	2238 586 59812	100nF +80/-20% 50V
2125	2238 586 59812	100nF +80/-20% 50V
2126	2238 586 59812	100nF +80/-20% 50V
2127	2238 586 59812	100nF +80/-20% 50V
2128	2238 586 59812	100nF +80/-20% 50V
2129	2238 586 59812	100nF +80/-20% 50V
2130	2238 586 59812	100nF +80/-20% 50V
2131	2238 586 59812	100nF +80/-20% 50V
2132	2238 586 59812	100nF +80/-20% 50V
2133	2238 586 59812	100nF +80/-20% 50V
2134	2238 586 59812	100nF +80/-20% 50V
2135	2238 586 59812	100nF +80/-20% 50V
2136	2238 586 59812	100nF +80/-20% 50V
2137	2238 586 59812	100nF +80/-20% 50V
2139	2238 586 59812	100nF +80/-20% 50V
2143	3198 016 31020	1nF 25V
2152	2238 586 59812	100nF +80/-20% 50V
2200	4822 124 40196	220uF 20% 16V
2201	4822 126 13879	220nF 20% 16V
2202	4822 124 23052	100uF 20% 16V

2203	4822 126 13879	220nF 20% 16V
2205	4822 124 23052	100uF 20% 16V
2206	4822 126 13879	220nF 20% 16V
2207	4822 124 40196	220uF 20% 16V
2208	4822 124 40196	220uF 20% 16V
2209	4822 124 40196	220uF 20% 16V
2210	4822 126 13879	220nF 20% 16V
2211	4822 124 80231	47uF 20% 16V
2213	2238 586 59812	100nF +80/-20% 50V
2214	4822 126 13881	470pF 5% 50V
2216	5322 126 11579	3,3nF 10% 63V
2217	2238 586 59812	100nF +80/-20% 50V
2218	4822 124 11947	10uF 20% 16V
2219	4822 124 80231	47uF 20% 16V
2220	4822 124 23052	100uF 20% 16V
2221	2238 586 59812	100nF +80/-20% 50V
2222	4822 126 13881	470pF 5% 50V
2223	4822 126 13879	220nF 20% 16V
2224	4822 124 41584	100uF 20% 10V
2225	4822 124 40248	10uF 20% 63V
2226	5322 126 11579	3,3nF 10% 63V
2230	4822 126 13909	680pF 10% 50V
2231	4822 126 13909	680pF 10% 50V
2232	4822 126 13881	470pF 5% 50V
2233	4822 124 23052	100uF 20% 16V
2234	2238 586 59812	100nF +80/-20% 50V
2235	4822 126 13881	470pF 5% 50V
2236	4822 126 13883	220pF 5% 50V
2237	4822 122 33752	15pF 5% 50V
2238	4822 122 33752	15pF 5% 50V
2239	2238 586 59812	100nF +80/-20% 50V
2240	2238 586 59812	100nF +80/-20% 50V
2241	4822 051 30008	0R Jumper 0603
2245	2238 586 59812	100nF +80/-20% 50V
2246	2238 586 59812	100nF +80/-20% 50V
2247	2238 586 59812	100nF +80/-20% 50V
2248	2238 586 59812	100nF +80/-20% 50V
2300	4822 126 13909	680pF 10% 50V
2303	4822 126 13909	680pF 10% 50V
2305	2238 916 15641	22nF 10% 25V
2306	4822 126 13883	220pF 5% 50V
2308	2238 586 59812	100nF +80/-20% 50V
2310	4822 126 13883	220pF 5% 50V
2311	4822 126 13883	220pF 5% 50V
2312	4822 126 13883	220pF 5% 50V
2313	2238 586 59812	100nF +80/-20% 50V
2314	2238 586 59812	100nF +80/-20% 50V
2321	4822 124 11947	10uF 20% 16V
2322	4822 126 14226	82pF 5% 50V
2323	2020 552 94427	100pF 5% 50V
2325	4822 124 11947	10uF 20% 16V
2326	2020 552 94427	100pF 5% 50V

## ELECTRICAL PARTS LIST - MPEG BOARD

2327	4822 126 14226	82pF 5% 50V
2329	2020 552 94427	100pF 5% 50V
2330	4822 124 11947	10uF 20% 16V
2331	4822 126 14226	82pF 5% 50V
2333	4822 124 11947	10uF 20% 16V
2334	2020 552 94427	100pF 5% 50V
2335	4822 126 14315	390pF 5% 50V
2336	4822 124 80791	470uF 20% 16V
2337	4822 124 80791	470uF 20% 16V
2338	4822 124 80791	470uF 20% 16V
2340	2238 586 59812	100nF +80/-20% 50V
2344	2238 586 59812	100nF +80/-20% 50V
2345	2238 586 59812	100nF +80/-20% 50V

## RESISTORS

3100	4822 051 30479	47R 5% 0,062W
3101	4822 051 30479	47R 5% 0,062W
3102	4822 051 30479	47R 5% 0,062W
3103	4822 051 30479	47R 5% 0,062W
3104	4822 051 30479	47R 5% 0,062W
3105	4822 051 30479	47R 5% 0,062W
3106	4822 051 30479	47R 5% 0,062W
3107	4822 051 30479	47R 5% 0,062W
3108	4822 051 30479	47R 5% 0,062W
3109	4822 051 30479	47R 5% 0,062W
3110	4822 051 30479	47R 5% 0,062W
3111	4822 051 30479	47R 5% 0,062W
3112	4822 051 30479	47R 5% 0,062W
3113	4822 051 30479	47R 5% 0,062W
3114	4822 051 30479	47R 5% 0,062W
3115	4822 051 30479	47R 5% 0,062W
3116	4822 051 30479	47R 5% 0,062W
3117	4822 051 30479	47R 5% 0,062W
3118	4822 051 30479	47R 5% 0,062W
3119	4822 051 30472	4k7 5% 0,062W
3120	4822 051 30472	4k7 5% 0,062W
3121	4822 051 30479	47R 5% 0,062W
3122	4822 051 30479	47R 5% 0,062W
3123	4822 051 30479	47R 5% 0,062W
3124	4822 051 30479	47R 5% 0,062W
3125	4822 051 30479	47R 5% 0,062W
3126	4822 051 30479	47R 5% 0,062W
3127	4822 051 30479	47R 5% 0,062W
3128	4822 051 30333	33k 5% 0,062W
3129	4822 051 30689	68R 5% 0,063W
3131	4822 051 30472	4k7 5% 0,062W
3134	4822 051 30472	4k7 5% 0,062W
3136	4822 051 30472	4k7 5% 0,062W
3137	4822 051 30472	4k7 5% 0,062W
3138	4822 051 30472	4k7 5% 0,062W
3139	4822 051 30472	4k7 5% 0,062W
3140	4822 051 30472	4k7 5% 0,062W

3141	4822 051 30105	1M 5% 0,062W
3143	4822 051 30472	4k7 5% 0,062W
3144	4822 051 30008	0R Jumper 0603
3145	4822 051 30472	4k7 5% 0,062W
3146	4822 051 30472	4k7 5% 0,062W
3147	4822 051 30759	75R 5% 0,062W
3149	4822 051 30689	68R 5% 0,063W
3151	4822 117 12662	Res Network 4x10R 5%
3152	4822 117 12662	Res Network 4x10R 5%
3153	4822 117 12662	Res Network 4x10R 5%
3154	4822 117 13576	Res Network 4x33R 5%
3163	4822 051 30339	33R 5% 0,062W
3165	4822 051 30339	33R 5% 0,062W
3169	4822 051 30339	33R 5% 0,062W
3170	4822 051 30339	33R 5% 0,062W
3171	4822 051 30689	68R 5% 0,063W
3172	4822 051 30472	4k7 5% 0,062W
3175	4822 051 30472	4k7 5% 0,062W
3176	4822 051 30472	4k7 5% 0,062W
3177	4822 051 30221	220R 5% 0,062W
3200	4822 051 20008	0R Jumper 0805
3202	4822 117 12139	22R 5% 0,062W
3203	4822 051 30008	0R Jumper 0603
3204	4822 117 12139	22R 5% 0,062W
3207	4822 051 30103	10k 5% 0,062W
3208	4822 051 30103	10k 5% 0,062W
3209	4822 051 30183	18k 5% 0,062W
3210	4822 051 30471	470R 5% 0,062W
3211	4822 051 30471	470R 5% 0,062W
3212	4822 051 30221	220R 5% 0,062W
3213	4822 051 30103	10k 5% 0,062W
3214	4822 051 30103	10k 5% 0,062W
3215	4822 051 30183	18k 5% 0,062W
3216	4822 051 30121	120R 5% 0,062W
3217	4822 051 30479	47R 5% 0,062W
3220	4822 051 30562	5k6 5% 0,063W
3222	4822 051 30103	10k 5% 0,062W
3223	4822 051 30333	33k 5% 0,062W
3224	4822 051 30562	5k6 5% 0,063W
3225	4822 051 30562	5k6 5% 0,063W
3226	4822 051 30479	47R 5% 0,062W
3227	4822 051 30479	47R 5% 0,062W
3228	4822 051 30479	47R 5% 0,062W
3229	4822 051 30472	4k7 5% 0,062W
3230	4822 051 30471	470R 5% 0,062W
3231	4822 051 30222	2k2 5% 0,062W
3232	4822 051 30221	220R 5% 0,062W
3233	4822 051 30684	680k 5% 0,062W
3234	5322 117 13026	4k7 1% 0,063W
3235	2322 704 62001	200R 1% 0,062W
3236	2322 704 65102	5k1 1% 0,062
3237	2322 704 62001	200R 1% 0,062W

**ELECTRICAL PARTS LIST - FRONT BOARDS****RESISTORS**

3238	5322 117 13026	4k7 1% 0,063W
3239	2322 704 65102	5k1 1% 0,062
3240	4822 051 30471	470R 5% 0,062W
3241	4822 051 30272	2k7 5% 0,062W
3242	4822 051 30103	10k 5% 0,062W
3243	4822 051 30471	470R 5% 0,062W
3244	5322 117 13026	4k7 1% 0,063W
3245	2322 704 62001	200R 1% 0,062W
3246	2322 704 65102	5k1 1% 0,062
3247	2322 704 62001	200R 1% 0,062W
3248	5322 117 13026	4k7 1% 0,063W
3249	2322 704 65102	5k1 1% 0,062
3250	4822 051 30272	2k7 5% 0,062W
3251	4822 051 30103	10k 5% 0,062W
3252	4822 051 30221	220R 5% 0,062W
3253	4822 051 30331	330R 5% 0,062W
3254	4822 051 30101	100R 5% 0,062W
3255	4822 051 30222	2k2 5% 0,062W
3256	4822 051 30689	68R 5% 0,063W
3257	4822 051 30101	100R 5% 0,062W
3259	4822 051 30102	1k 5% 0,062W
3260	4822 051 30479	47R 5% 0,062W
3261	4822 051 30472	4k7 5% 0,062W
3262	4822 051 30472	4k7 5% 0,062W
3263	4822 051 30472	4k7 5% 0,062W
3264	4822 051 30681	680R 5% 0,062W
3266	4822 051 30681	680R 5% 0,062W
3267	4822 051 30689	68R 5% 0,063W
3268	4822 051 30681	680R 5% 0,062W
3270	4822 051 30272	2k7 5% 0,062W
3271	4822 051 30103	10k 5% 0,062W
3272	4822 051 30332	3k3 5% 0,062W
3273	4822 051 30103	10k 5% 0,062W
3274	4822 117 12925	47k 1% 0,063W
3275	4822 051 30471	470R 5% 0,062W
3300	4822 051 30471	470R 5% 0,062W
3301	4822 051 30272	2k7 5% 0,062W
3302	4822 051 30103	10k 5% 0,062W
3303	4822 051 30471	470R 5% 0,062W
3304	4822 051 30272	2k7 5% 0,062W
3305	4822 051 30221	220R 5% 0,062W
3306	4822 051 30103	10k 5% 0,062W
3307	4822 117 12925	47k 1% 0,063W
3308	4822 051 30223	22k 5% 0,062W
3309	4822 051 30102	1k 5% 0,062W
3311	4822 051 30759	75R 5% 0,062W
3312	4822 051 30222	2k2 5% 0,062W
3313	4822 051 30689	68R 5% 0,063W
3314	4822 051 30103	10k 5% 0,062W
3315	4822 051 30151	150R 5% 0,062W
3316	4822 051 30331	330R 5% 0,062W
3322	4822 051 30103	10k 5% 0,062W

3326	4822 051 30103	10k 5% 0,062W
3328	4822 051 30151	150R 5% 0,062W
3329	4822 051 30103	10k 5% 0,062W
3334	4822 051 30103	10k 5% 0,062W
3337	4822 051 30151	150R 5% 0,062W
3338	4822 051 30103	10k 5% 0,062W
3343	4822 051 30103	10k 5% 0,062W
3345	4822 051 30151	150R 5% 0,062W
3346	4822 051 30103	10k 5% 0,062W
3350	4822 051 30101	100R 5% 0,062W
3355	4822 051 30689	68R 5% 0,063W
3356	4822 051 30689	68R 5% 0,063W
3357	4822 051 30689	68R 5% 0,063W
3358	4822 051 30689	68R 5% 0,063W
3359	4822 051 30151	150R 5% 0,062W
3360	4822 051 30151	150R 5% 0,062W
3361	4822 051 30151	150R 5% 0,062W
3362	4822 051 30151	150R 5% 0,062W
4100	4822 051 30008	0R Jumper 0603
4109	4822 051 20008	0R Jumper 0805
4111	4822 051 20008	0R Jumper 0805
4205	4822 051 30008	0R Jumper 0603
4206	4822 051 30008	0R Jumper 0603
4211	4822 051 30008	0R Jumper 0603
4212	4822 051 30008	0R Jumper 0603
4213	2322 702 60399	39R 5% 0,062W
4300	4822 051 30008	0R Jumper 0603
4301	4822 051 30008	0R Jumper 0603
4302	4822 051 30008	0R Jumper 0603
4311	2238 586 59812	100nF +80/-20% 50V
4312	2238 586 59812	100nF +80/-20% 50V
4313	2238 586 59812	100nF +80/-20% 50V
4314	2238 586 59812	100nF +80/-20% 50V
4315	4822 051 30008	0R Jumper 0603
4320	2238 586 59812	100nF +80/-20% 50V
4321	2238 586 59812	100nF +80/-20% 50V

**COILS & FILTERS**

5100	4822 157 11716	Fixed Ind 30R 100MHz
5101	4822 157 10586	Coil 2,2uH 10% 0805
5102	3198 018 53380	Coil 3,3uH 10% 0603
5104	4822 157 11716	Fixed Ind 30R 100MHz
5105	4822 157 11716	Fixed Ind 30R 100MHz
5106	4822 157 11716	Fixed Ind 30R 100MHz
5110	4822 157 10586	Coil 2,2uH 10% 0805
5112	4822 157 10586	Coil 2,2uH 10% 0805
5113	4822 157 10586	Coil 2,2uH 10% 0805
5114	4822 157 10586	Coil 2,2uH 10% 0805
5300	4822 157 70299	Coil 2,2uH 5% 1210
5302	4822 157 70299	Coil 2,2uH 5% 1210
5303	4822 157 70299	Coil 2,2uH 5% 1210
5305	4822 157 70299	Coil 2,2uH 5% 1210

## DIODES

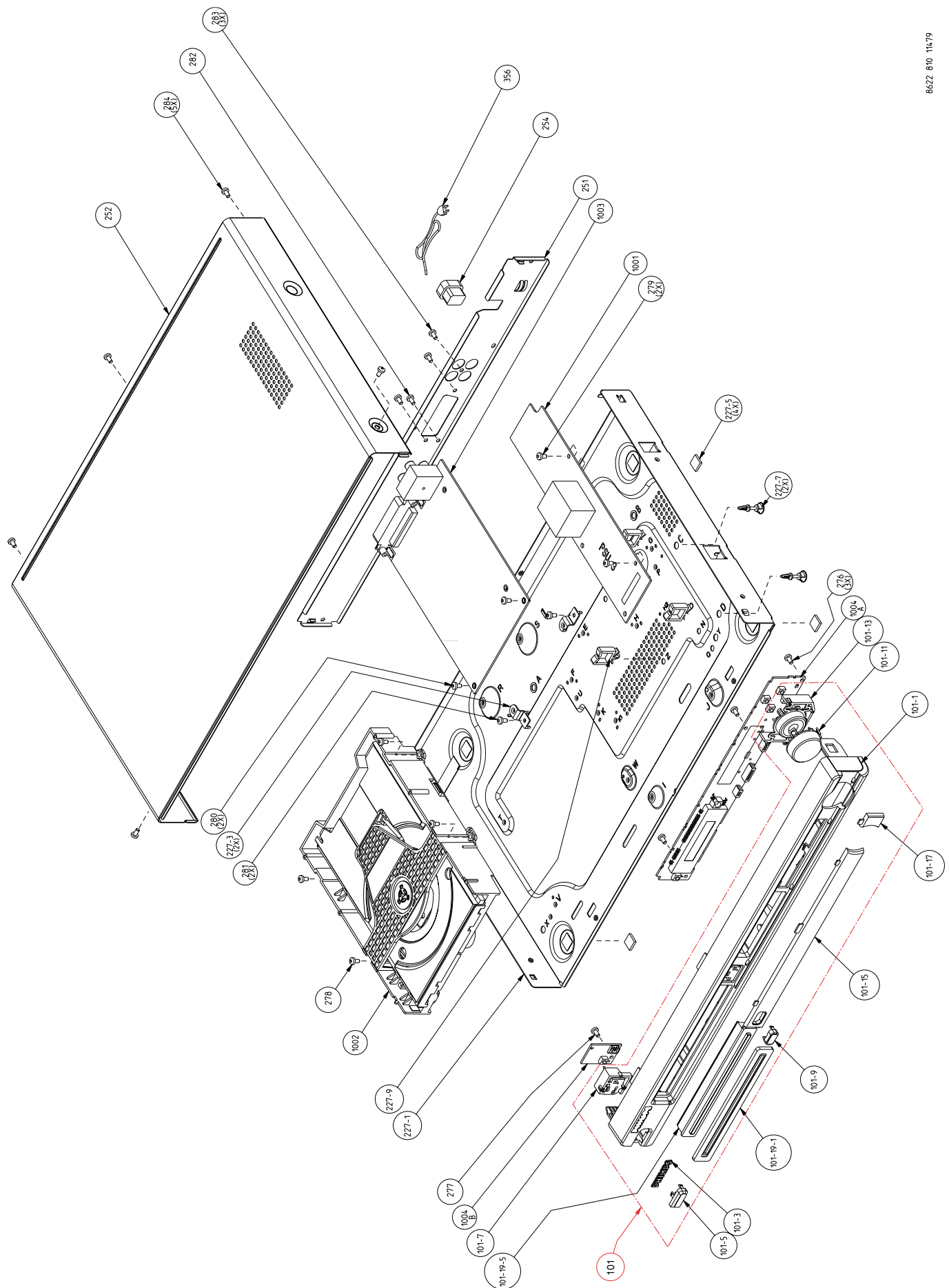
6200	4822 130 11397	BAS316
6202	4822 130 11397	BAS316
6203	4822 130 11397	BAS316
6300	4822 130 11522	PDZ15B
6301	4822 130 11522	PDZ15B
6302	4822 130 11522	PDZ15B
6303	4822 130 11522	PDZ15B
6304	4822 130 11522	PDZ15B
6305	4822 130 11522	PDZ15B
6306	3198 020 55680	BZX384-C5V6

## TRANSISTORS &amp; INTEGRATED CIRCUITS

7100	9965 000 20628	M29W800DT-70N6 with SW program
7101	9322 200 04671	ES6178F
7102	9322 166 67668	MT48LC4M16A2TG-7E
7103	9965 000 04931	M24C01-WMN6
7200	4822 209 30095	LM833D
7201	9322 177 09685	AK4382AVT
7202	9352 456 80115	74HCT1G125GW
7204	9322 151 71668	MK2703STR
7205	4822 130 41246	BC327-25
7206	4822 209 17398	LD1117DT33
7207	9322 144 97668	LD1117DT
7208	4822 209 33411	MC78L05ACD
7221	5322 130 60159	BC847B
7222	5322 130 60159	BC847B
7223	5322 130 60159	BC847B
7224	4822 130 60373	BC857B
7225	5322 130 60159	BC847B
7227	4822 130 42804	BC817-25
7228	4822 130 42804	BC817-25
7229	5322 130 60159	BC847B
7231	5322 130 60159	BC847B
7232	5322 130 60159	BC847B
7233	9322 189 96685	M62720GP
7234	4822 130 60373	BC857B
7235	5322 130 60159	BC847B
7320	4822 130 42804	BC817-25
7321	4822 130 42804	BC817-25
7322	9340 425 30115	BC847BPN
7324	5322 130 60159	BC847B
7325	5322 130 60159	BC847B
7326	5322 130 60159	BC847B
7327	5322 130 60159	BC847B

Note: Only the parts mentioned in this list are normal service spare parts.

# MAIN ENCASING EXPLODED VIEW



ENCASING & ACCESSORIES PARTS LIST

101	3139 247 59601	Front Cabinet Assy with Tray Cover	
251	3139 247 59571	Back Plate	
252	3139 247 58501	Cover Top	
254	4822 532 60948	Bush, Mains cord	
353	3141 017 90220	Remote Control	
356	3141 018 71300	Main Cord 1,6M	/00/02
356	4822 321 11458	Main Cord 1,6M	/05
362	3103 308 92610	Cable Audio 2x2RCA 1,5M	
363	2422 076 00445	Scart Cable 1,1M 20P	
370	3139 246 13111	Instruction For Use	/00
370	3139 246 13101	Instruction For Use	/02
370	3139 246 13091	Instruction For Use	/05
370	3139 246 13261	Instruction For Use 2	/02
8102	3104 311 05301	Atapi Cable IDE 40P 22cm	
1001	3122 429 00131	PSU Board Euro Non-Eco	
1002	3141 018 03901	DVD Loader Module A97S	
1004	3139 248 82842	MPEG Board	

SCREW LIST

276	D3 x 8
277	D3 x 8
278	M3 x 6
279	M3 x 4
280	M3 x 4
281	M3 x 4
282	M3 x 4
283	D3 x 8
284	M3 x 6

Note: Only the parts mentioned in this list are normal service spare parts.

**DOCUMENT HISTORY**

**Version 1.0**

- \* Initial release