

ALTERNATOR DIODE FOR AUTOMOTIVE APPLICATION.

### FEATURES

- Average Forward Current :  $I_O=35A$ .
- Zener Voltage : 27V(Typ.)

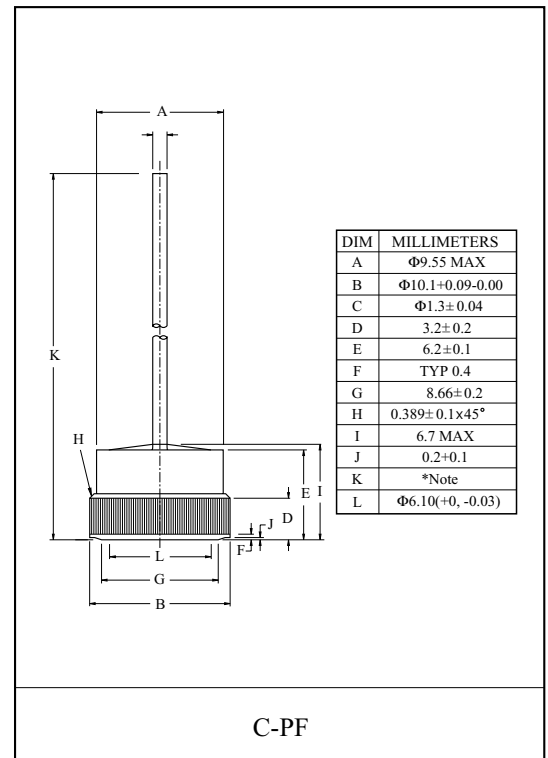
### POLARITY

E35A27VBCS (+ Type)

E35A27VBCR (- Type)

### MAXIMUM RATING (Ta=25 )

CHARACTERISTIC	SYMBOL	RATING	UNIT
Average Forward Current	$I_{F(AV)}$	35	A
Peak 1 Cycle Surge Current	$I_{FSM}$	300 (60Hz)	A
Non-Repetitive Peak Reverse Surge Current (10mS)	$I_{RSM}$	42	A
Transient Peak Reverse Voltage	$V_{RSM}$	22	V
Peak Reverse Voltage	$V_{RM}$	20	V
Junction Temperature	$T_j$	-40 215	
Storage Temperature Range	$T_{stg}$	-40 215	



\*Note

Item	Length(K)
E35A27VBCS	20.35 ± 0.5
E35A27VBCR	28.35 ± 0.5

### ELECTRICAL CHARACTERISTICS (Ta=25 )

CHARACTERISTIC	SYMBOL	TEST CONDITION	MIN.	TYP.	MAX.	UNIT
Forward Voltage	$V_F$	$I_{FM}=100A$	-	-	1.10	V
Zener Voltage	$V_Z$	$I_Z=10mA$	24	27	29	V
Reverse Current	$I_R$	$V_R=20V$	-	-	0.2	μA
Transient Thermal Resistance	$V_F$	$I_{FM}=100A, I_M=100mA, Pw=100mS$	-	-	80	mV
Breakdown Voltage	$V_{br}$	$I_{rsm}=42A, Pw=10mS$	-	-	34	V
Temperature Coefficient	$T$	$I_Z=10mA$	-	15.7	-	mV/
Reverse Leakage Current Under High Temperature	$HI_R$	$Ta=150, V_R=20V$	-	-	100	μA
Temperature Resistance	$R_{th}$	DC total junction to case	-	-	0.8	/W