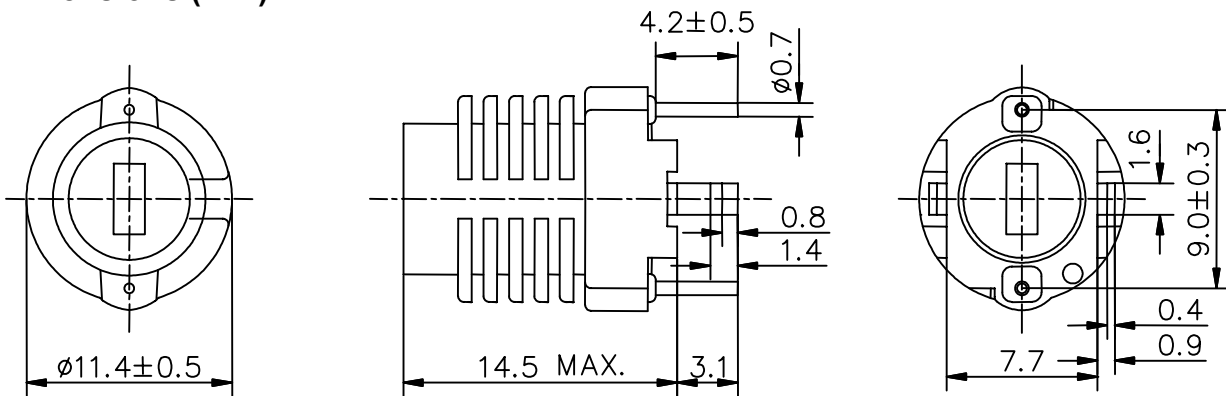


**Type: S1114J**
**◆ Product Description**

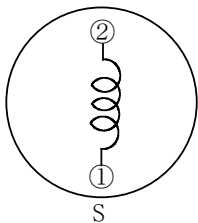
- $\phi$  11.9 Max. 14.5mm Max. Height.
- Inductance: 5  $\mu$  H Max.
- Operating frequency: 150MHz Max.
- In addition to the reference versions of parameters shown here, custom designs are available to meet your exact requirements..

**◆ Feature**

- Variable unshielded type.
- RoHS Compliance

**◆ Dimensions (mm)**


- \* Dimension does not include solder used on coil.
- \* Pin pitch should be measured at the root of terminal.
- \* Dimensions without tolerance are approx.

**◆ Connection (Bottom View)**


“S” is winding start.

**◆ Specification (Part No.2291-T002)**

Item	(1-2)	Measuring Condition
Tuning Capacity	20.5pF $\pm$ 5% Variable	27MHz
Unloaded Qu	80 Min.	27MHz