

**PLEASE CHECK WWW.MOLEX.COM FOR LATEST PART INFORMATION**

**Part Number:** [0905842304](#)  
**Status:** **Active**  
**Description:** 1.27mm (.050") Pitch Picoflex® PF-50 IDT Receptacle, Low Profile, Board-In, 4 Circuits

**Documents:**

[3D Model](#) [Product Specification PS-99020-0011 \(PDF\)](#)  
[Drawing \(PDF\)](#) [RoHS Certificate of Compliance \(PDF\)](#)  
[Product Specification ES-99033-0002 \(PDF\)](#)

**General**

|                     |                                     |
|---------------------|-------------------------------------|
| Product Family      | Ribbon Cable / Wire Trap Connectors |
| Series              | 90584                               |
| Comments            | Low Profile                         |
| Component Type      | One Piece                           |
| Glow-Wire Compliant | No                                  |
| Product Name        | Board-In, Picoflex®                 |

**Physical**

|                                |                           |
|--------------------------------|---------------------------|
| Circuits (Loaded)              | 4                         |
| Color - Resin                  | Natural                   |
| Durability (mating cycles max) | 30                        |
| Entry Angle                    | 90° Angle                 |
| Lock to Mating Part            | None                      |
| Material - Metal               | Phosphor Bronze           |
| Material - Plating Mating      | Tin                       |
| Material - Plating Termination | Tin                       |
| Material - Resin               | Polyester                 |
| Number of Rows                 | 2                         |
| PCB Locator                    | No                        |
| PCB Retention                  | Yes                       |
| PCB Thickness Recommended (in) | 0.062 In                  |
| PCB Thickness Recommended (mm) | 1.60 mm                   |
| Packaging Type                 | Tube - Stacked            |
| Pitch - Mating Interface (in)  | 0.050 In                  |
| Pitch - Mating Interface (mm)  | 1.27 mm                   |
| Plating min: Mating (µin)      | 80.00                     |
| Plating min: Mating (µm)       | 2.00                      |
| Plating min: Termination (µin) | 80.00                     |
| Plating min: Termination (µm)  | 2.00                      |
| Polarized to Mating Part       | N/A                       |
| Polarized to PCB               | Yes                       |
| Stackable                      | No                        |
| Surface Mount Compatible (SMC) | No                        |
| Temperature Range - Operating  | -40°C to +105°C           |
| Termination Interface: Style   | Through Hole - Kinked Pin |
| Wire Insulation Diameter       | 1.00mm (.039") max.       |
| Wire Size AWG                  | 26, 28                    |
| Wire/Cable Type                | Ribbon Cable              |

**Electrical**

|                               |      |
|-------------------------------|------|
| Current - Maximum per Contact | 1.2A |
| Voltage - Maximum             | 250V |

**Material Info**

**Reference - Drawing Numbers**

|                       |                              |
|-----------------------|------------------------------|
| Product Specification | ES-99033-0002, PS-99020-0011 |
|-----------------------|------------------------------|

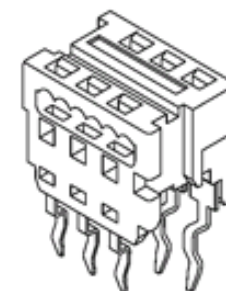


image - Reference only

Series

**EU RoHS**

**ELV and RoHS Compliant**

**REACH SVHC**

**Contains SVHC: No**

**Halogen-Free**

**Status**

**Not Reviewed**

**China RoHS**



**Need more information on product environmental compliance?**

Email [productcompliance@molex.com](mailto:productcompliance@molex.com)  
 For a multiple part number RoHS Certificate of Compliance, [click here](#)

Please visit the [Contact Us](#) section for any non-product compliance questions.

**Search Parts in this Series**

90584Series

**Mates With**

N/A

**Application Tooling | FAQ**

*Tooling specifications and manuals are found by selecting the products below. Crimp Height Specifications are then contained in the Application Tooling Specification document.*

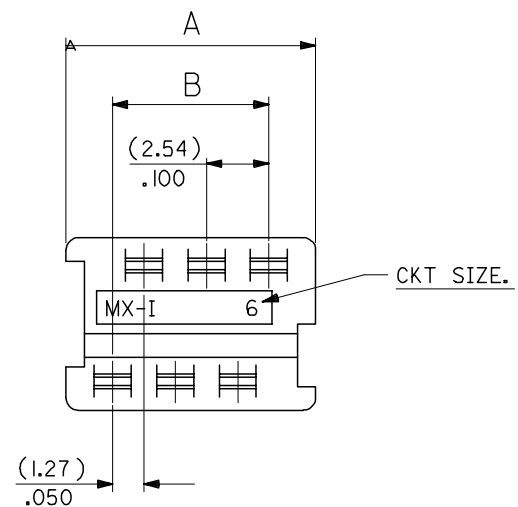
**Global**

|                     |                            |
|---------------------|----------------------------|
| <b>Description</b>  | <b>Product #</b>           |
| Arbor Press Fixture | <a href="#">0690201902</a> |

This document was generated on 03/16/2010

**PLEASE CHECK [WWW.MOLEX.COM](http://WWW.MOLEX.COM) FOR LATEST PART INFORMATION**

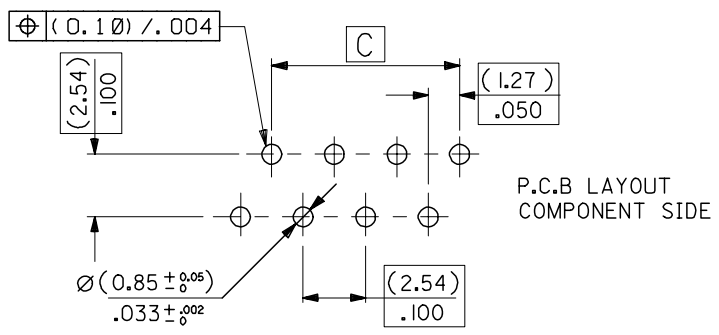
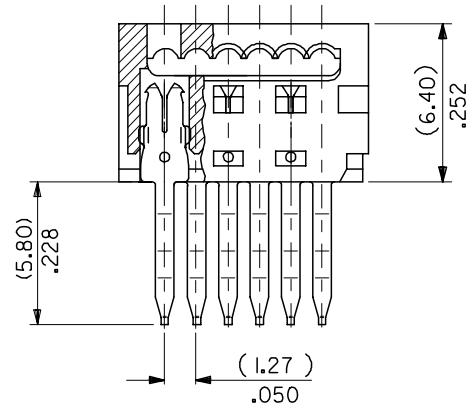
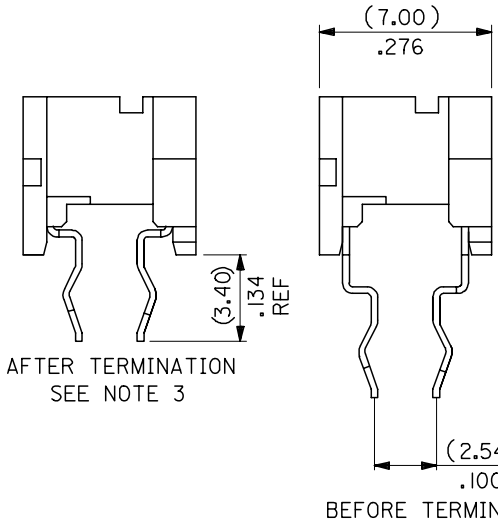
|          |          |             |               |               |               |           |                 |   |
|----------|----------|-------------|---------------|---------------|---------------|-----------|-----------------|---|
| 90584    | ***26    | 26          | (35.53)/1.399 | (31.75)/1.250 | (30.48)/1.200 | 14        | 98              | 7 |
|          | ***24    | 24          | (32.99)/1.299 | (29.21)/1.150 | (27.94)/1.100 | 15        | 105             |   |
|          | ***22    | 22          | (30.45)/1.199 | (26.67)/1.050 | (25.40)/1.000 | 16        | 112             |   |
|          | ***20    | 20          | (27.91)/1.099 | (24.13)/.950  | (22.86)/.900  | 18        | 126             |   |
|          | ***18    | 18          | (25.37)/.999  | (21.59)/.850  | (20.32)/.800  | 20        | 140             |   |
|          | ***16    | 16          | (22.83)/.899  | (19.05)/.750  | (17.78)/.700  | 23        | 161             |   |
|          | ***14    | 14          | (20.29)/.799  | (16.51)/.650  | (15.24)/.600  | 26        | 182             |   |
|          | ***12    | 12          | (17.75)/.699  | (13.97)/.550  | (12.70)/.500  | 30        | 210             |   |
|          | ***10    | 10          | (15.21)/.599  | (11.43)/.450  | (10.16)/.400  | 34        | 238             |   |
|          | ***08    | 8           | (12.67)/.499  | (8.89)/.350   | (7.62)/.300   | 42        | 294             |   |
|          | ***06    | 6           | (10.13)/.399  | (6.35)/.250   | (5.08)/.200   | 54        | 378             |   |
| 90584    | ***04    | 4           | (7.59)/.299   | (3.81)/.150   | (2.54)/.100   | 70        | 490             | 7 |
| PART NO. | CCT SIZE | DIMENSION A | DIMENSION B   | DIMENSION C   | TUBE QTY      | STACK QTY | TUBES PER STACK |   |



**HOUSING**  
MATL. POLYESTER, RATED UL 94V-0, COLOUR WHITE.

**IDT CONTACT**  
MATL : PHOSPHOR BRONZE (0.28)/.011 REF THICK.  
PLATING : (2-4um) / 80-160u" TIN

- NOTES:**
- APPL. CLASS TO DIN 40040 HME (-25°C/+100°C)
  - SEE PRODUCT SPECIFICATION PS-99020-0011
  - WIRE TERMINATION SPEC : ES-99033-0002
- 90584- \* \* \* \*  
04 TO 26 = CKT SIZE.  
3= NO CIRCUITS VOIDED.  
4= CIRCUITS 4 & 5 VOIDED.  
1= INDIVIDUAL TUBED ASSY  
2= STACKED TUBED ASSY - SEE SHEET 2  
9= NON STANDARD OPTION - SEE SHEET 3



|   |                               |  |                      |   |                      |                           |                                      |                           |   |   |  |
|---|-------------------------------|--|----------------------|---|----------------------|---------------------------|--------------------------------------|---------------------------|---|---|--|
| ADD VOIDED OPTION<br>EC NO: E2005-1077<br>DRAWN: GMSWEN 2005/05/10<br>CHKD: DMORLARTY 2005/05/10<br>APPR: J DENNEY 2005/05/26 | QUALITY SYMBOLS<br>▽=0<br>▽=0 | GENERAL TOLERANCES (UNLESS SPECIFIED)                |                      | DIMENSION STYLE<br>MM/IN                | SCALE<br>5:1         | DESIGN UNITS<br>METRIC    | THIRD ANGLE PROJECTION               |                           |   |   |  |
|   |                               | 4 PLACES ± --- ± ---                                 | 3 PLACES ± --- ± --- | 2 PLACES ± 0.10 ± ---                   | 1 PLACE ± 0.20 ± --- | ANGULAR ± 1/2°            | DRAWN BY DATE<br>DMCNAMAR 2003/09/01 |                           | TITLE<br>1.27MM PF LOW PRO IDT BOARD-IN CONNECTOR |   |  |
| M   | REV                           | DRAFT WHERE APPLICABLE MUST REMAIN WITHIN DIMENSIONS |                      | APPROVED BY DATE<br>MWILHITE 2003/09/01 |                      | MATERIAL NO.              |                                      | DOCUMENT NO.<br>SDA-90584 |   | SHEET NO.<br>1 OF 3   |  |
|   |                               | SEE CHART  |                      | MATERIAL NO.                            |                      | DOCUMENT NO.<br>SDA-90584 |                                      | SHEET NO.<br>1 OF 3       |   | THIS DRAWING CONTAINS INFORMATION THAT IS PROPRIETARY TO MOLEX INCORPORATED AND SHOULD NOT BE USED WITHOUT WRITTEN PERMISSION |  |

10 9 8 7 6 5 4 3 2 1

F F

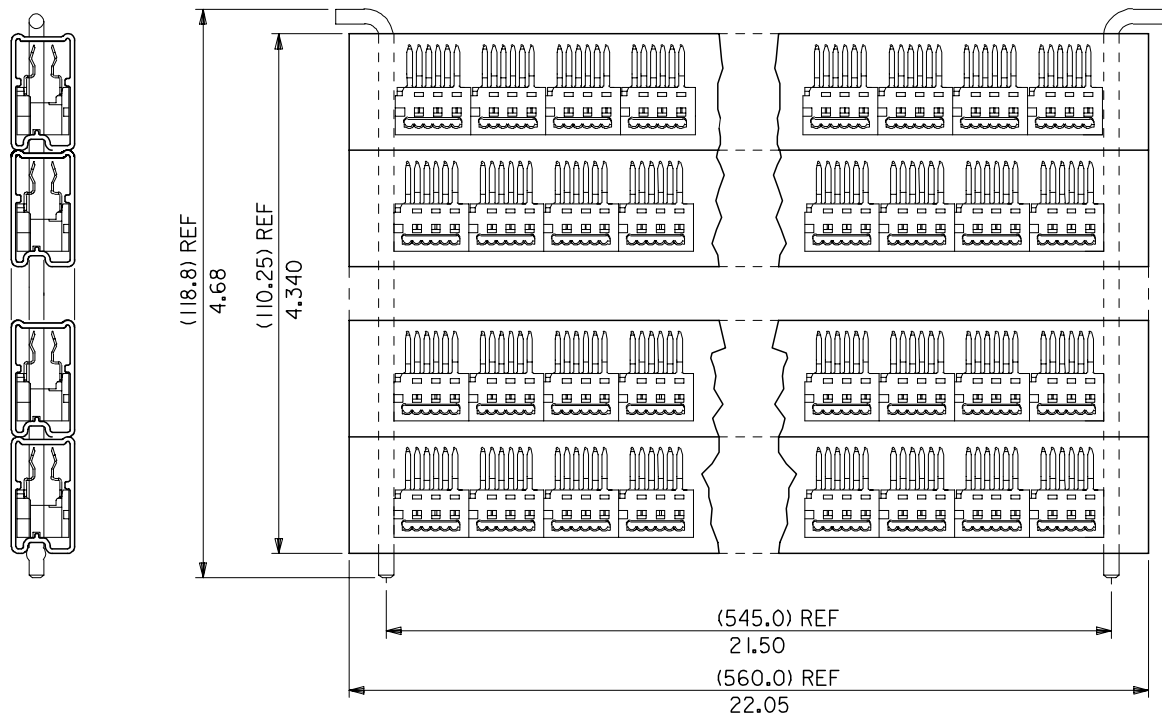
E E

D D

C C

B B

A A



STACKED TUBED ASSEMBLY

|   |                                |  |                       |                                 |                     |  |                               |                     |  |
|---|--------------------------------|--|-----------------------|---------------------------------|---------------------|--|-------------------------------|---------------------|--|
| <b>REVISION UPDATE</b><br>EC NO: E2005-1027<br>DRAWN:GMSWEEN 2005/05/10<br>CHKD:DMORIARTY 2005/05/10<br>APPR: JDENNEHY 2005/05/26 | <b>QUALITY SYMBOLS</b><br><br> | <b>GENERAL TOLERANCES (UNLESS SPECIFIED)</b> |                       | <b>DIMENSION STYLE</b><br>MM/IN | <b>SCALE</b><br>NTS | <b>DESIGN UNITS</b><br>METRIC                            | <b>THIRD ANGLE PROJECTION</b> |                     |  |
|   |                                | 4 PLACES ± --- ± ---                         | 3 PLACES ± --- ± .010 | DRAWN BY<br>PW                  | DATE<br>1994/02/25  | <b>TITLE</b><br>1.27MM PF LOW PRO IDT BOARD-IN CONNECTOR |                               |                     |  |
|   |                                | 2 PLACES ± 0.25 ± ---                        | 1 PLACE ± --- ± ---   | CHECKED BY<br>DMORIARTY         | DATE<br>2005/05/06  | <b>MOLEX INCORPORATED</b>                                |                               |                     |  |
|   |                                | ANGULAR ± 2 °                                |                       | APPROVED BY<br>JDENNEHY         | DATE<br>2005/05/10  | MATERIAL NO.<br><b>SEE SHEET 1</b>                       | DOCUMENT NO.<br>SDA-90584     | SHEET NO.<br>2 OF 3 |  |

DRAFT WHERE APPLICABLE MUST REMAIN WITHIN DIMENSIONS

THIS DRAWING CONTAINS INFORMATION THAT IS PROPRIETARY TO MOLEX INCORPORATED AND SHOULD NOT BE USED WITHOUT WRITTEN PERMISSION

9 8 7 6 5 4 3 2 1