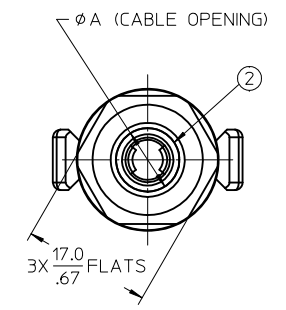
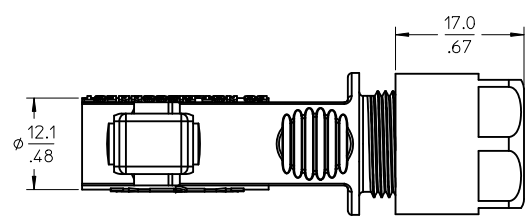
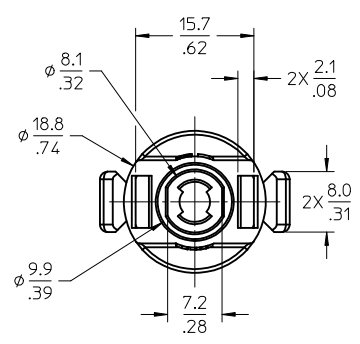
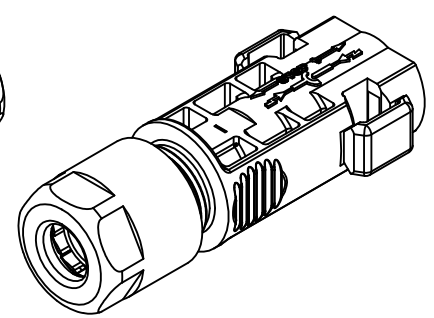
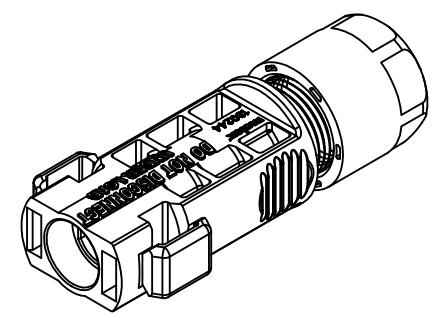
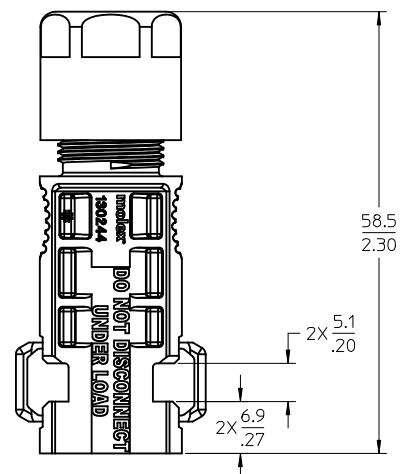
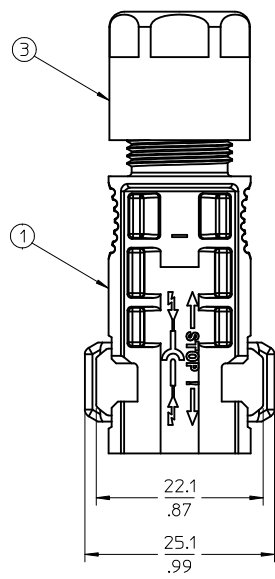


1302440204	2.5 mm ² / 14 AWG	5.8-6.7 / .23-.26	7.0 / .28
1302440202	4.0-6.0 mm ² / 12-10 AWG	6.7-7.8 / .26-.31	8.4 / .33
MATERIAL NO.	CABLE SIZE	CABLE Ø RANGE	DIM. "A"



NOTES:

1. MATERIALS: SEE TABLE
2. FINISHES: SEE TABLE
3. PRODUCT SPECIFICATION: PS-130244-001
4. PACKAGING SPECIFICATION: PK-130244-002
5. MATES WITH: 1302440201 OR 1302440203
6. ASSEMBLY IS ROHS COMPLIANT.

3	1	CABLE RETENTION NUT	POLYCARBONATE (PC)	BLACK
2	1	CABLE GROMMET	SILICONE	TRANSLUCENT
1	1	PIN HOUSING	POLYCARBONATE (PC)	BLACK
ITEM	QTY	DESCRIPTION	MATERIAL	FINISH

PRELIMINARY	EC NO: WNA2011-0336	2010/12/15
DRWN:CLYORK	CHKD:DTITUS	2010/12/17
APPR:DTITUS		
REV	DESCRIPTION	
4		

QUALITY SYMBOLS	GENERAL TOLERANCES (UNLESS SPECIFIED)
▽=0	mm INCH
▽=0	4 PLACES ± --- ± ---
	3 PLACES ± --- ± .005
	2 PLACES ± 0.13 ± .010
	1 PLACE ± 0.25 ± ---
	ANGULAR ± 2 °
	DRAFT WHERE APPLICABLE MUST REMAIN WITHIN DIMENSIONS

DIMENSION STYLE	SCALE	DESIGN UNITS	THIRD ANGLE PROJECTION
MM/IN	2:1	METRIC	
DRAWN BY	DATE	TITLE	
CLYORK	2010/03/17	PIN ASSEMBLY, PV SOLAR DC CONNECTOR, 14-10 AWG	
CHECKED BY	DATE		
DTITUS	2010/03/17		
APPROVED BY	DATE		
DTITUS	2010/10/28		
MATERIAL NO.	DOCUMENT NO.		
SEE CHART	SD-130244-002		
SIZE	THIS DRAWING CONTAINS INFORMATION THAT IS PROPRIETARY TO MOLEX INCORPORATED AND SHOULD NOT BE USED WITHOUT WRITTEN PERMISSION		

MOLEX	MOLEX INCORPORATED	SHEET NO.
		1 OF 1