

Up to **six** switch contacts can be installed.

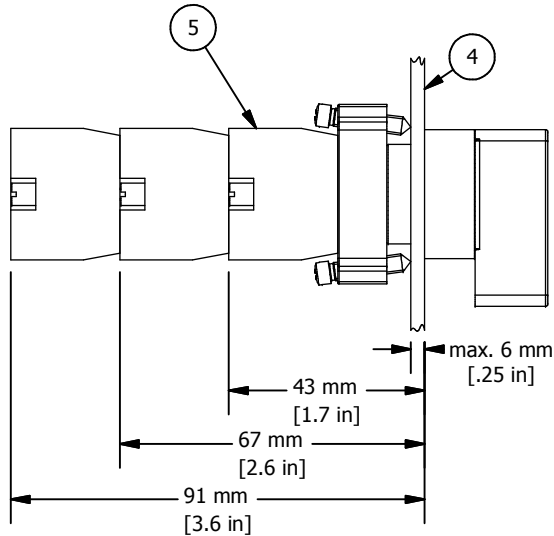
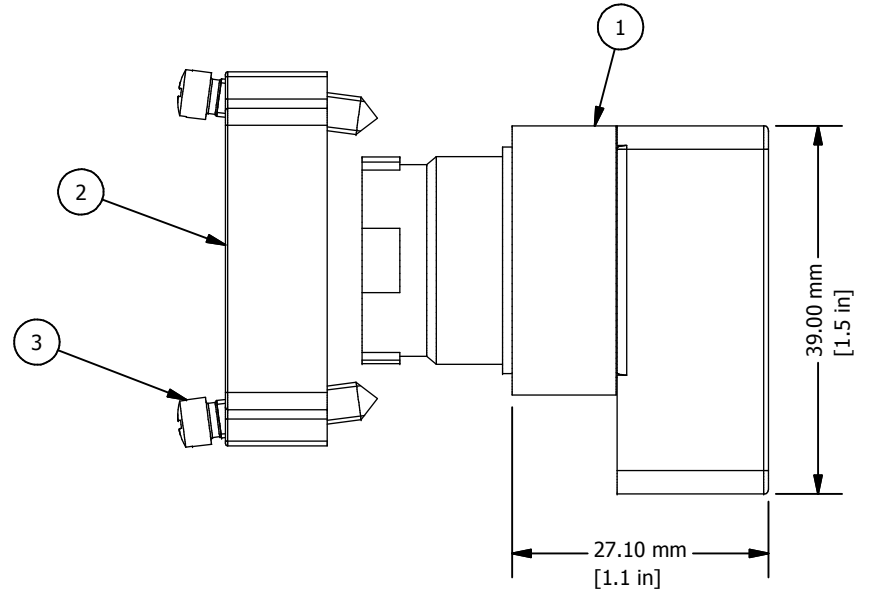
**3 POSITION SELECTOR SWITCH CONTACT BLOCK OPERATION GUIDE**

CONTACT BLOCK GUIDE			
×	○	○	1 NO (left)
○	×	○	2 NC in series (side × side)
○	○	×	1 NO (right)
×	×	○	1 NC (right)
○	×	×	1 NC (left)
×	○	×	2 NO in parallel (side × side)

(Left or right as seen from front of operator)

**REVISION FOR DWG # 1PB-2AS2E-x**

REV	CH.NO.	DESCRIPTION	DATE	REVISED BY
-	-	ORIGINAL DESIGN	11/01/07	PHILIPP E.



\* = Selector Switch is supplied with mounting bracket (ITEM 1,2 and 3)

\*\* = Switch Contacts must be order separately

ITEM	DESCRIPTION	CAT. NO.	DESCRIPTION	Color	MIN. QTY.	MAX. QTY.
1*	Selector Switch	2AS2E-1	Maintained	Black	1	1
		2AS2E-2	Spring Return	Black	1	1
		2AS2E-3	Maintained	Black	1	1
		2AS2E-4	Spring Return	Black	1	1
		2AS2E-5	Spring Return	Black	1	1
		2AS2E-6	Spring Return	Black	1	1
2*	Mounting Bracket	2BRK	-	-	1	1
3	Mounting Bracket Screws	incl. in 2BRK	-	-	2	2
4	Panel	-	-	-	-	-
5**	Switch Contacts	S1	-	Green	1	6
		S2	-	Red	1	6
		S3	-	Green/Black	1	6
		S4	-	Red/Black	1	6

UNLESS OTHERWISE SPECIFIED:  
 • ALL DIMENSIONS ARE IN MILLIMETERS  
 • THIRD ANGLE PROJECTION



This Drawing is the property of  
**Altech Corp.**

35 Royal Road  
 Flemington, NJ 08822-6000  
 (908) 806-9400  
 Fax (908) 806-9490

AND IS A CONFIDENTIAL DISCLOSURE  
 WITHOUT CONSIDERATION OTHER THAN THE  
 BORROWER'S AGREEMENT THAT IT  
 SHALL NOT BE REPRODUCED,  
 COPIED, LENT OR DISPOSED OF  
 DIRECTLY OR INDIRECTLY NOR  
 USED FOR ANY PURPOSE OTHER  
 THAN THAT FOR WHICH IT IS  
 SPECIFICALLY FURNISHED.

TITEL **22 mm Non-Illuminated Metal Extended Selector Switch Operator 2AS2E-x**

DRAWN BY: Philipp Ernstberger	11/01/07	DRAWING NO.:	1PB-2AS2E-x	REV.:	-
CHECKED BY: Laszlo Gyorgypal	11/01/07	SCALE:	-	SHEET:	1
RELEASED BY: Laszlo Gyorgypal	11/01/07			OF:	1

TOLERANCE		
XX	=	±1 mm
XX.X	=	±0.5 mm
XX.XX	=	±0.2 mm
ALL	=	- mm

**METRIC**