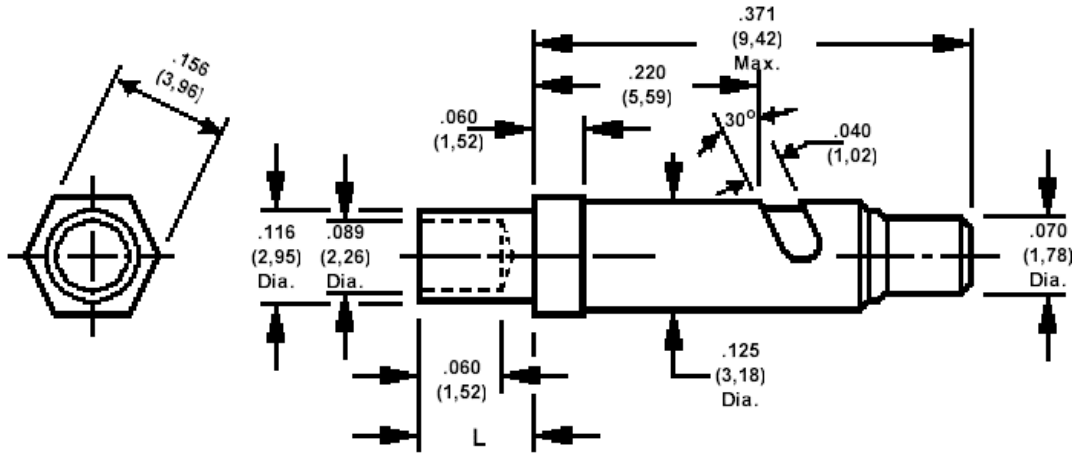


## 410-3084 Component Clip, .040 (1,02) Slot, Swage mount

Recommended mounting hole .120 (3,05)



Recommended Lead Wire Sizes - #30 AWG (.010) (0,25) Min. Thru #22 AWG (.025) (0,64) Max.

### How to order code

**410-3084-XX-05-00**

Basic Part No (XX - Board Thickness)

Basic Part No	XX	L	Board Thickness
410-3084	-01	.062 (1,57)	.031 (0,79)
	-02	.094 (2,39)	.062 (1,59)
	-03	.125 (3,18)	.094 (2,38)
	-04	.156 (3,96)	.125 (3,18)

Component	Material	Finish
Housing	Brass	Electro Solder
Plunger	Brass	Electro Solder
Spring	Cres. Steel	Passivated

TOOLING	
Anvil	435-6440-01-00-00
Roll punch	435-6663-01-00-00